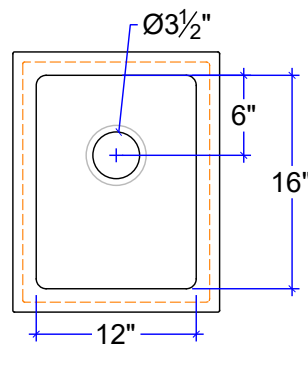
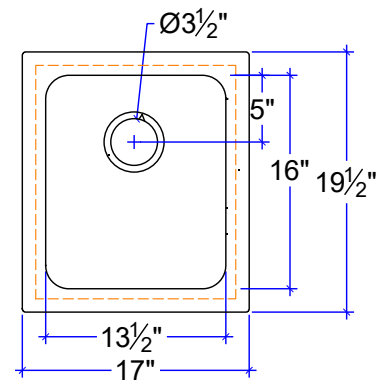


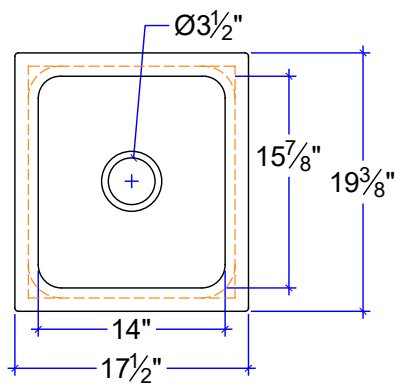
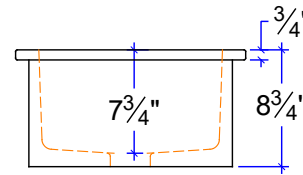
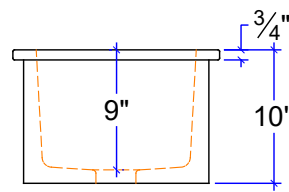
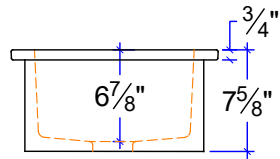
FS-1412



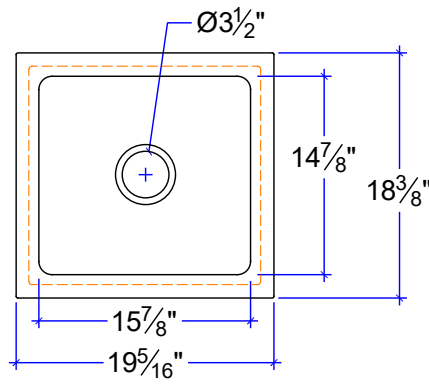
FS-1612-9



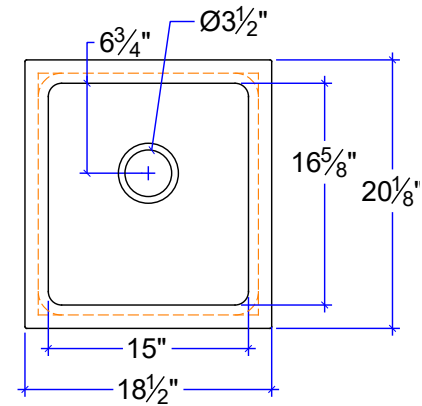
FS-1613



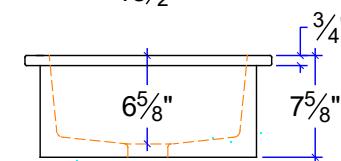
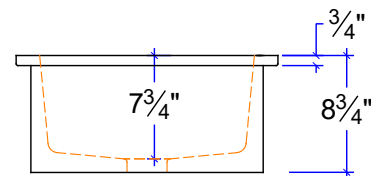
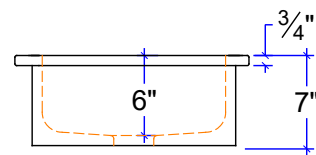
FS-1614



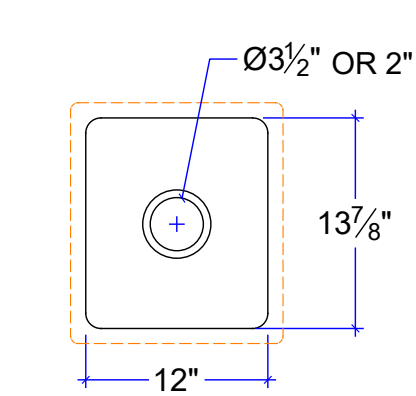
FS-1516



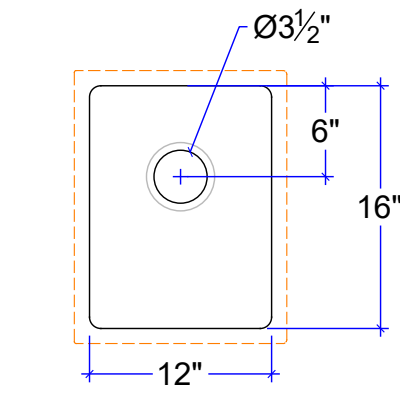
FS-1615-OD



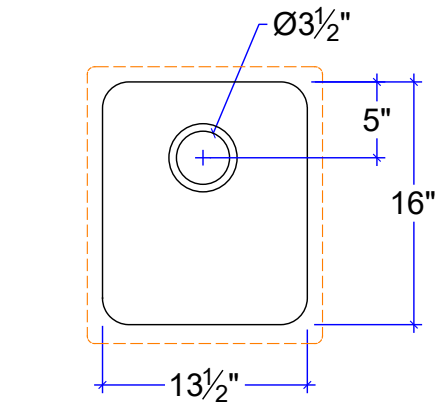
SINKS FINISHED INSIDE BASIN AND RADUIS EDGE ONLY. SINKS SHOULD BE ON JOB BEFORE MAKING COUNTERTOP OPENINGS. MOUNTING HARDWARE NOT PROVIDED- SUPPORT WITH SUBTOP, FRAMING, OR UNDER SINK BOTTOM.



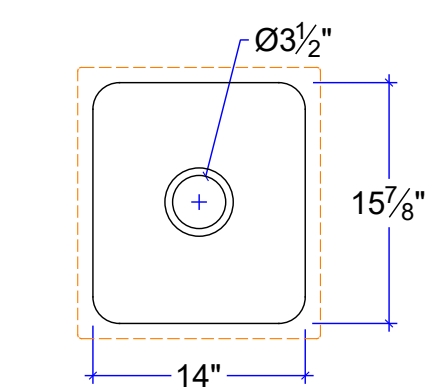
KS-1412



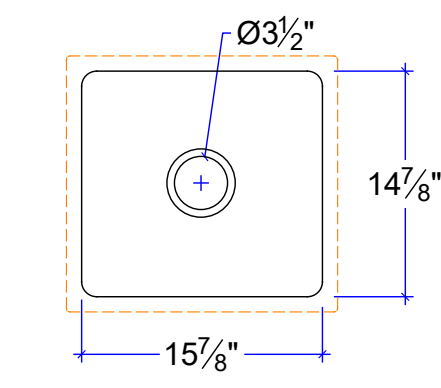
KS-1612-9



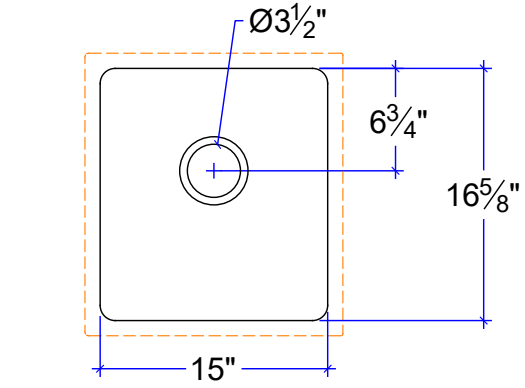
KS-1613



KS-1614



KS-1516 / 1615



KS-1615-OD

CUSTOM SIZE COUNTERTOP WITH FIXED SIZE BASIN. DIMENSIONS ARE INSIDE SINK.