



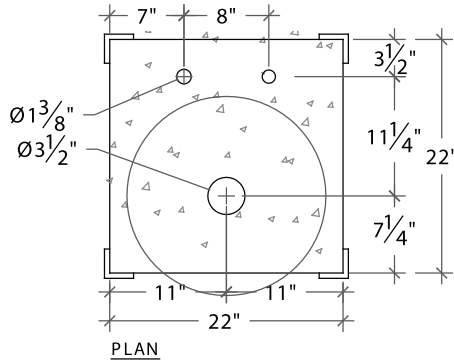
STANDARD PRODUCTS

SONOMA CAST STONE CORPORATION
 Makers of NuCrete™, The World's Only Stainless Concrete
 877.283.1897 • www.sonomastone.com

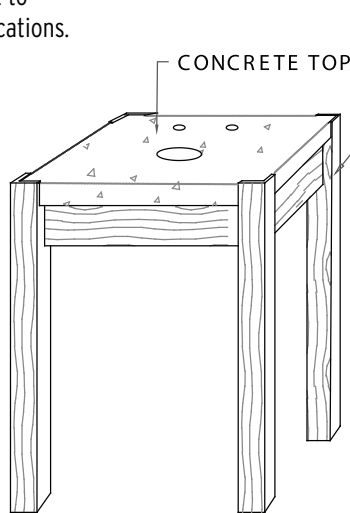


For more product info, or to download replacement forms, see: www.sonomastone.com

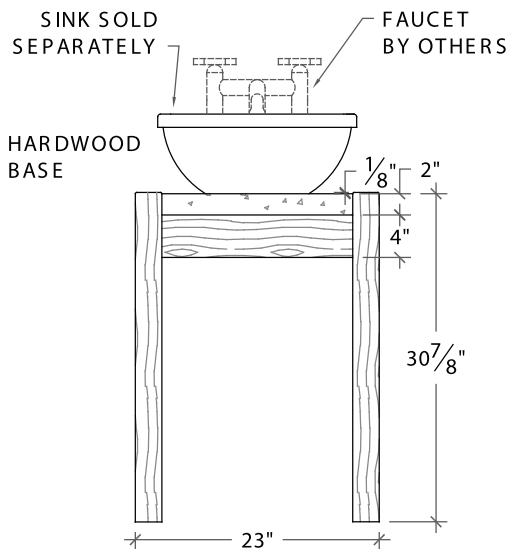
Vessel Stand (Wood) & Counter VS-WD-S(D)



Faucet holes cast to customer specifications.



STAND AND COUNTERTOP



FRONT ELEVATION

Designs ©2007 Sonoma Cast Stone Corp. All rights reserved.

Visit www.sonomastone.com to see photos of this and other products.

• DESCRIPTION

Our simple Vessel Stand features a hefty concrete countertop which rests on hardwood legs attached by a 4" hardwood apron on all sides. This unit accommodates any of our concrete VesselSinks™.

Faucet holes are pre-cast to customers specifications. A 3 1/2" diameter drain hole allows for some flexibility in bowl placement. Additional colors and hole options are available.

The WaterBridge faucet from Sonoma Forge is designed to compliment VesselSinks™.

• FACTS

Wood stand comes standard in smooth or distressed hardwood finishes, (stained or unstained options). Countertop comes standard in Classic Concrete, diamond sanded, sealed and waxed. Non-stock Stainless NuCrete™ also available.

Available in any of our standard 24 colors. Custom colors also available. Finish options Classic Concrete or Stain free NuCrete™. See: www.sonomastone.com, catalog or techbinder. Custom colors available. Order samples online, or call 877-283-2400 x113.

VesselSinks™ sold separately.

Approximate Weight: 90 lbs / Crated 194 lbs.