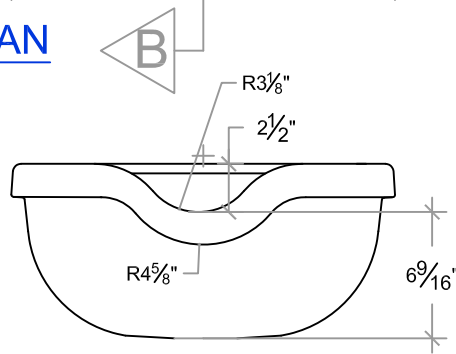
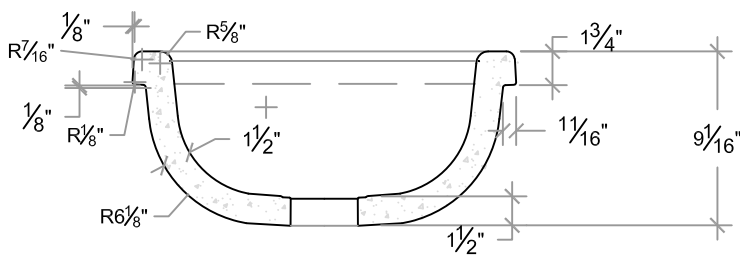


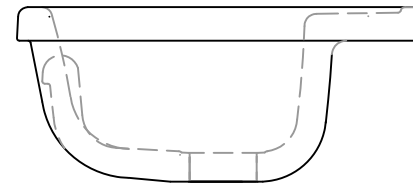
PLAN



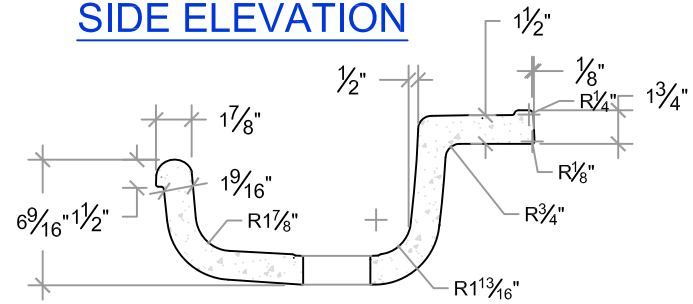
FRONT ELEVATION



SECTION A-A



SIDE ELEVATION



SECTION B-B