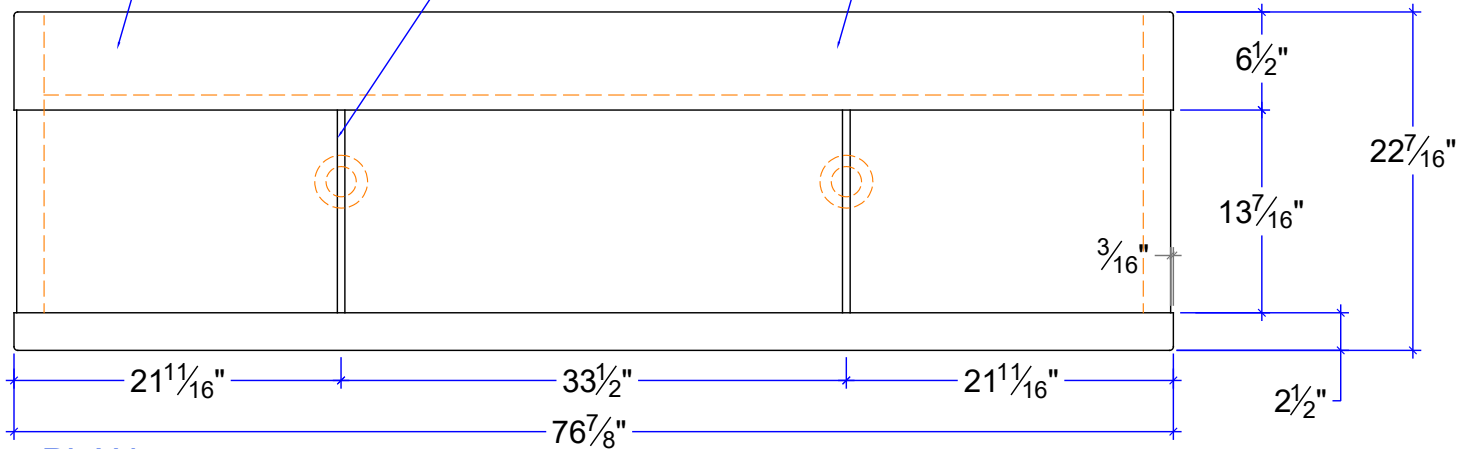


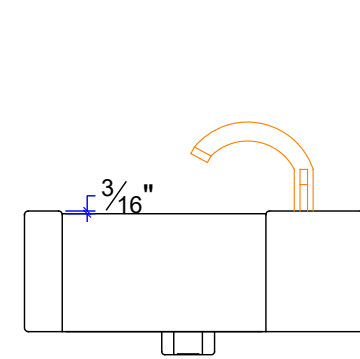
CAST COUNTER WITH INTEGRAL WV-RES-2 WAVESINK

SLOT DRAIN (TYP.)

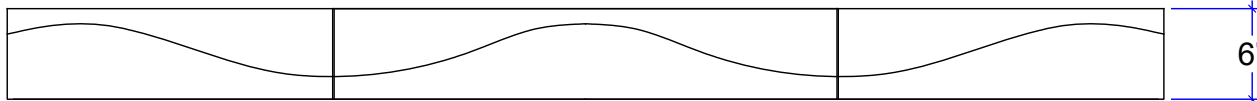
OPTIONAL CAST FAUCET HOLES



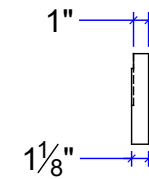
PLAN



SIDE ELEVATION

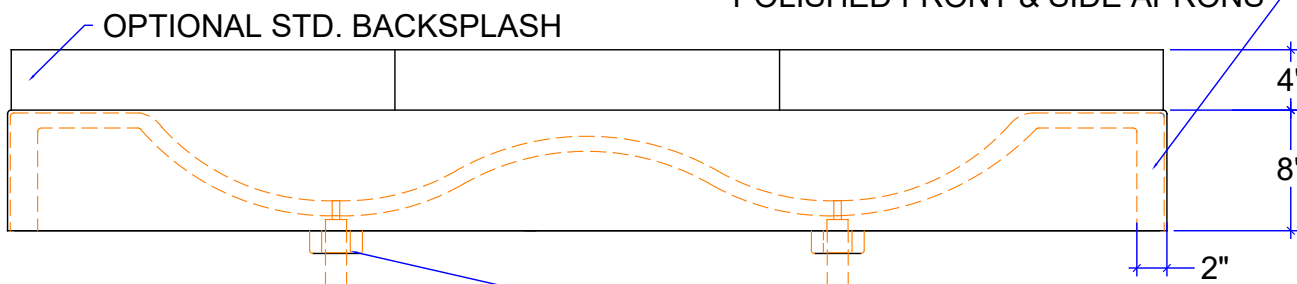


OPTIONAL WV-SPLSH-2



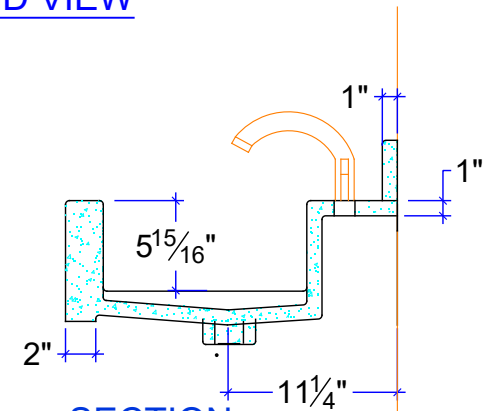
END VIEW

POLISHED FRONT & SIDE APRONS



FRONT ELEVATION

2" ABS DRAIN COUPLING



SECTION