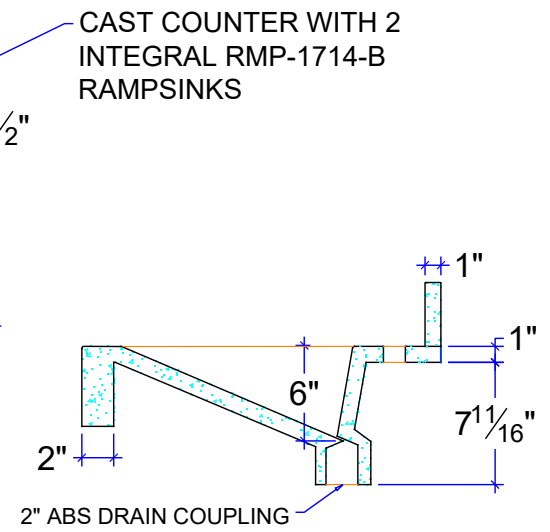
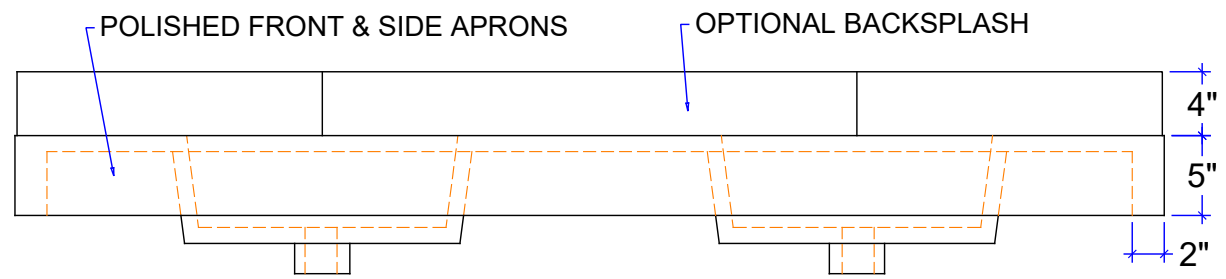


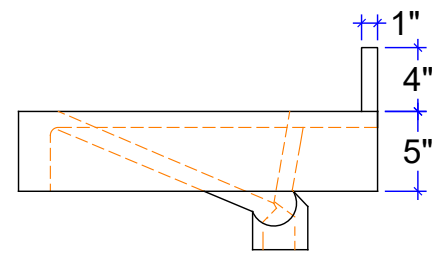
PLAN



SECTION @ DRAIN



FRONT ELEVATION



RIGHT ELEVATION

## RMP-RES-DBL