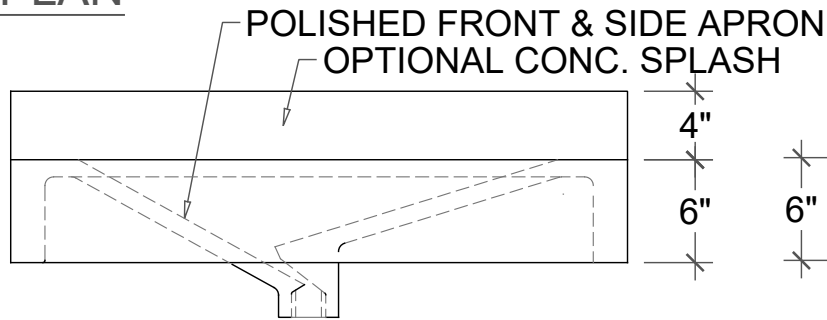
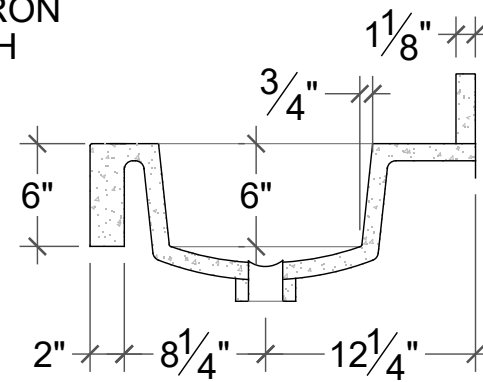


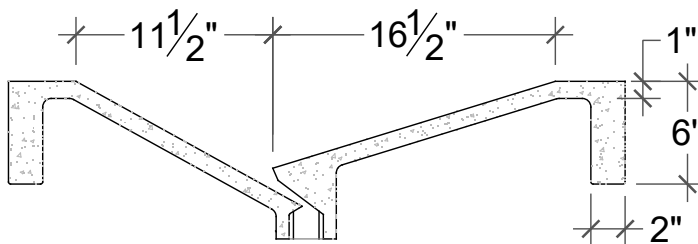
PLAN



FRONT ELEVATION



SIDE SECTION



FRONT SECTION