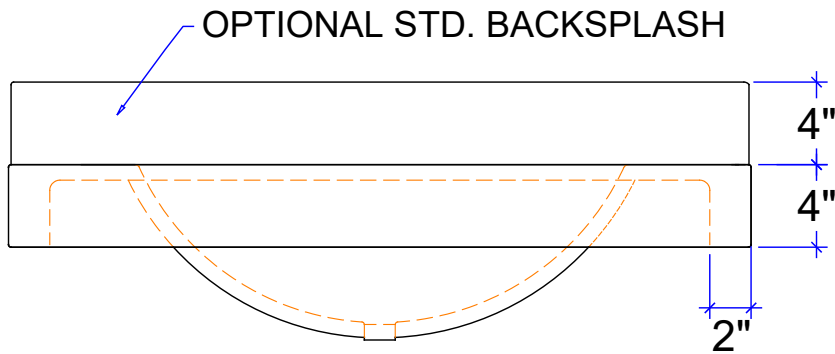
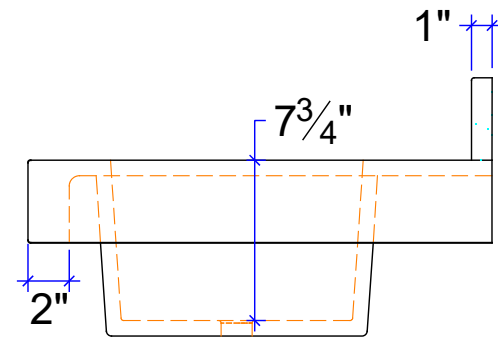


PLAN



FRONT ELEVATION



RIGHT ELEVATION