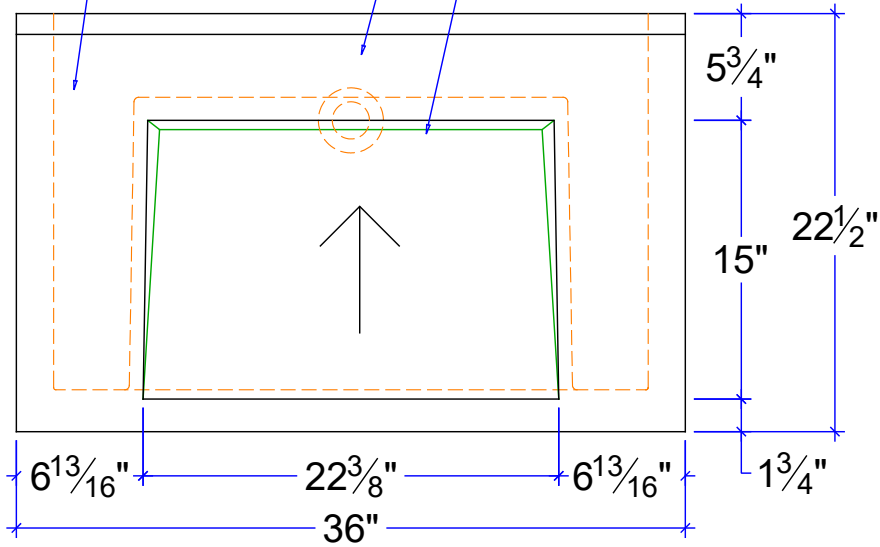


CAST COUNTER W/ INTEGRAL RMP-2215-B RAMPSINK

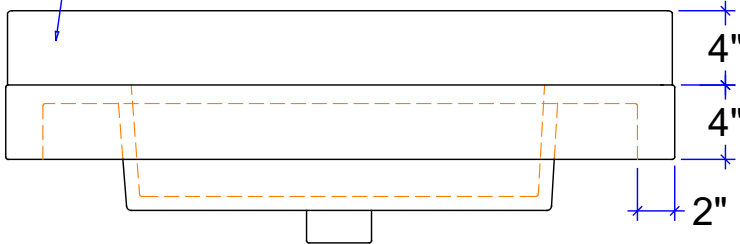
OPTIONAL CAST FAUCET HOLE(S)

SLOT DRAIN

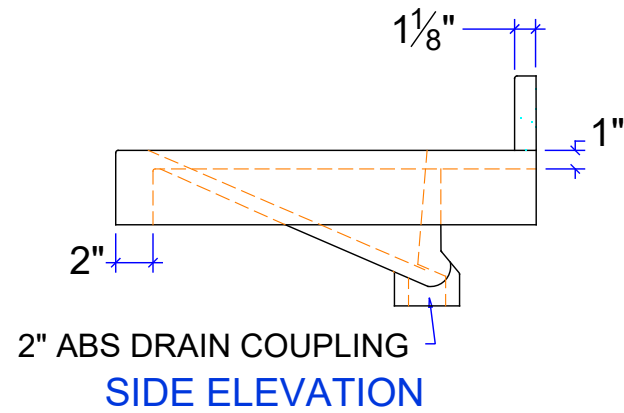


PLAN

OPTIONAL BACKSPLASH



FRONT ELEVATION



SIDE ELEVATION