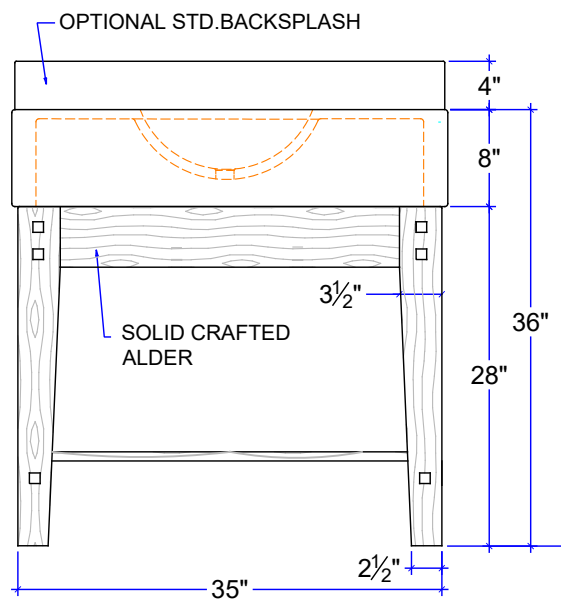
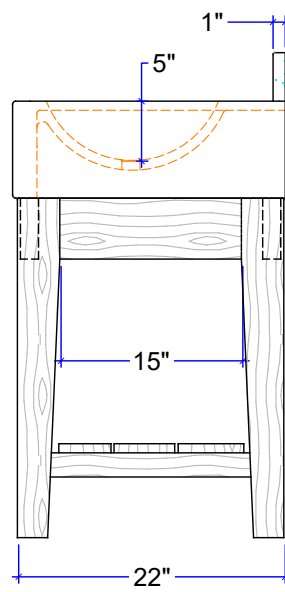


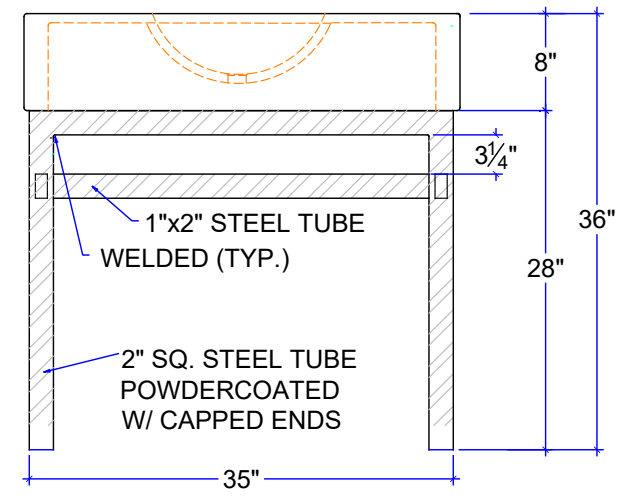
PLAN-VIEW



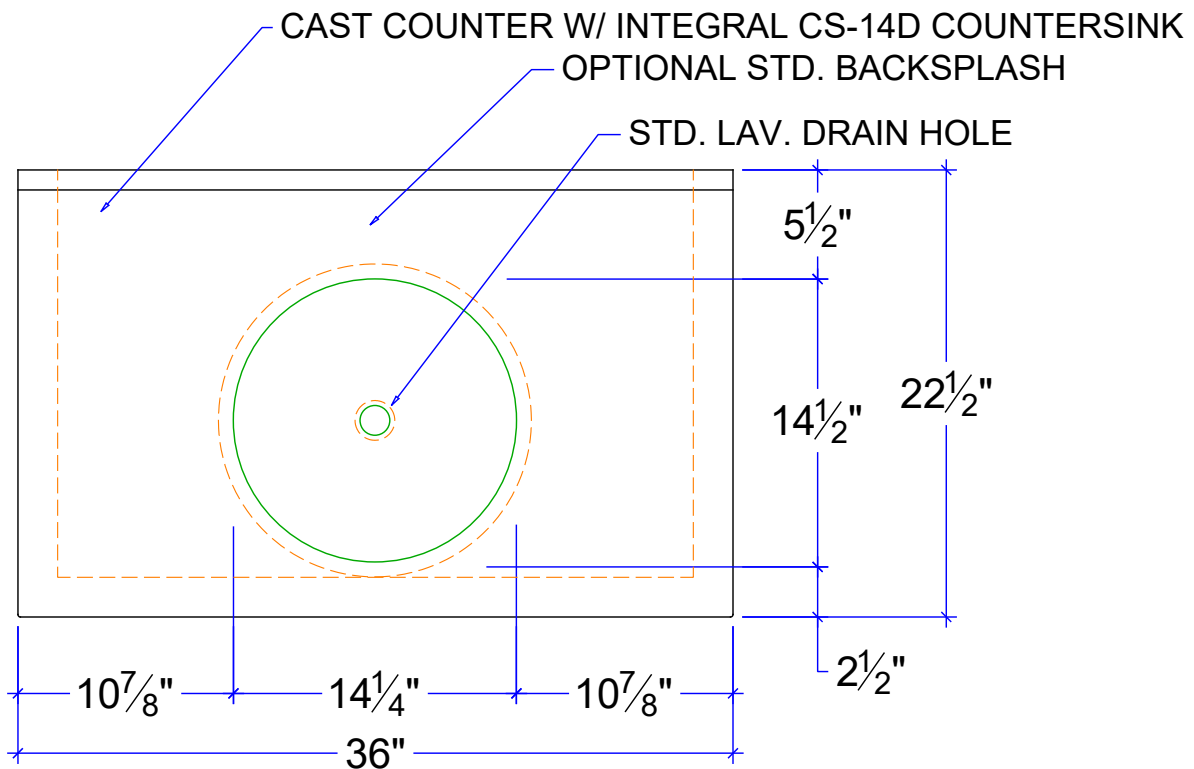
P-CS WITH OPTIONAL HARDWOOD STAND



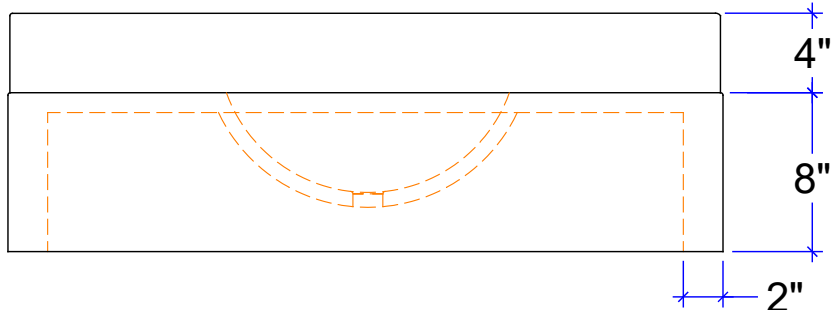
SIDE-ELEVATION



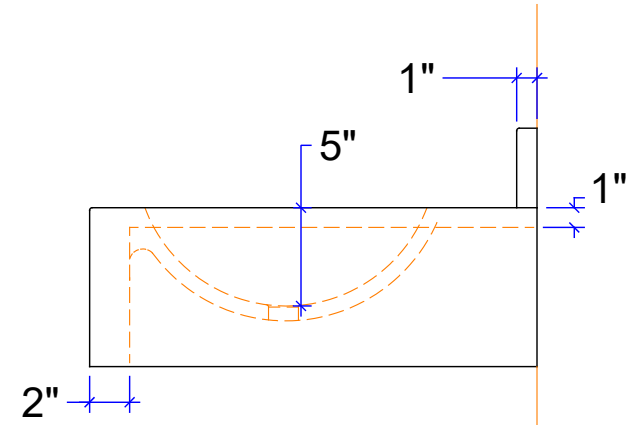
P-CS WITH OPTIONAL STEEL STAND



PLAN



FRONT ELEVATION



RIGHT ELEVATION