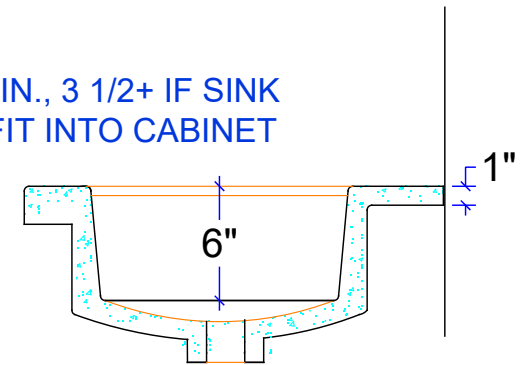
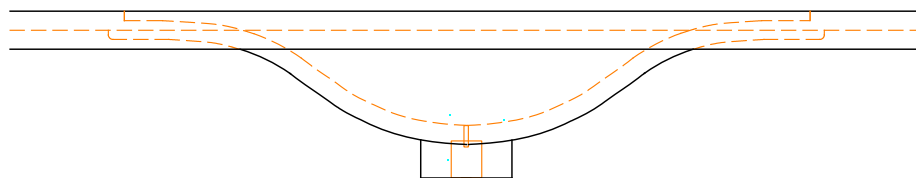


B: 5 1/2" MIN. FOR DECK-MOUNT FAUCET.
2" MIN. FOR WALL-MOUNT FAUCET.

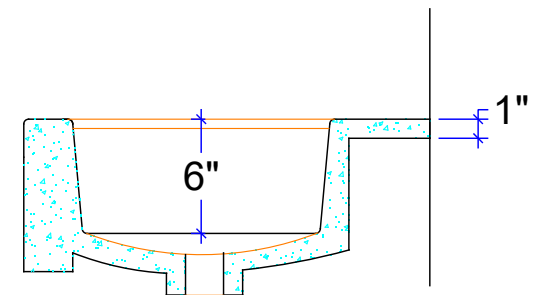
A: 2" MIN., 3 1/2+ IF SINK IS TO FIT INTO CABINET



SECTION WITH 2" EDGE



FRONT ELEVATION



SECTION WITH 8" FRONT APRON

CUSTOM SIZE COUNTERTOP WITH FIXED SIZE BASIN. DIMENSIONS ARE INSIDE SINK.

* THIS MODELS IS AVAILABLE AS A MULTI-SINK VANITY