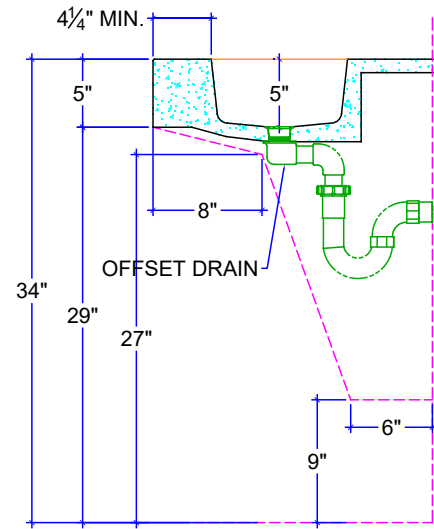
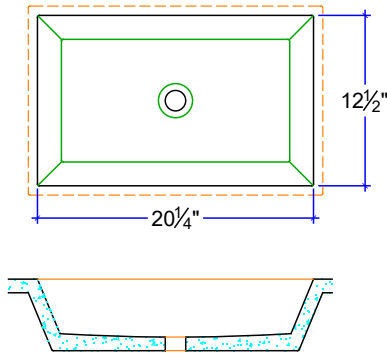


FRONT SECTION

**CS-2010-FB**  
20" x 10" x 5"

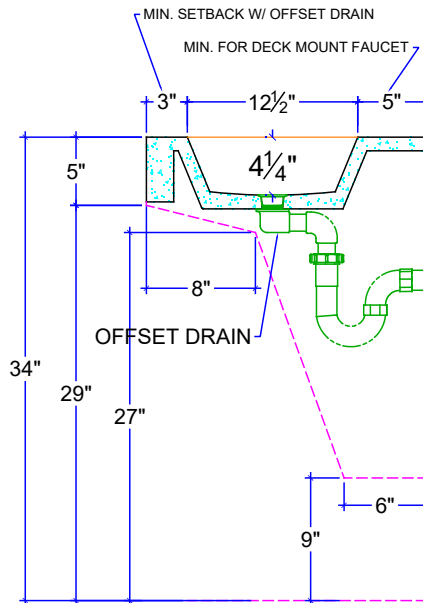


SIDE SECTION

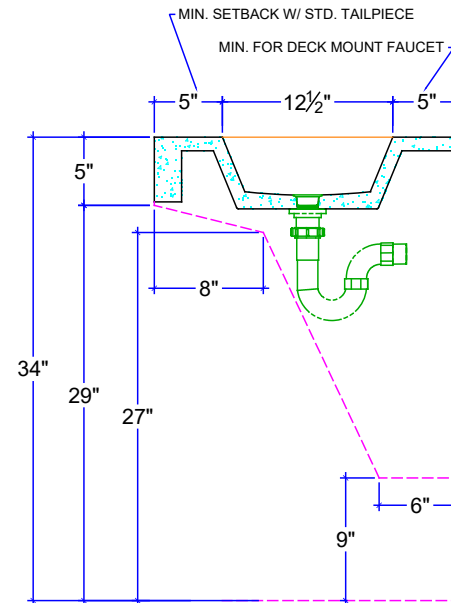


FRONT SECTION

**CS-2012-SW^**  
20 1/4" x 12 1/2" x 4 1/4"



SIDE SECTION



SIDE SECTION