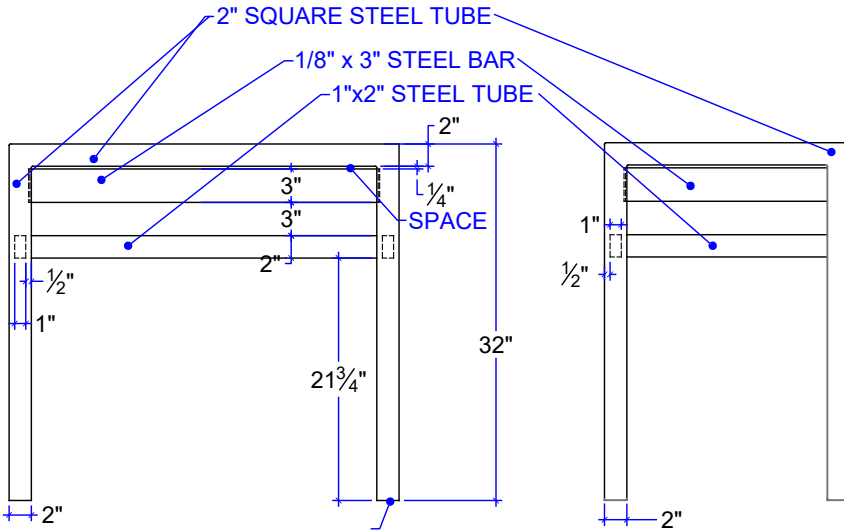


PLAN

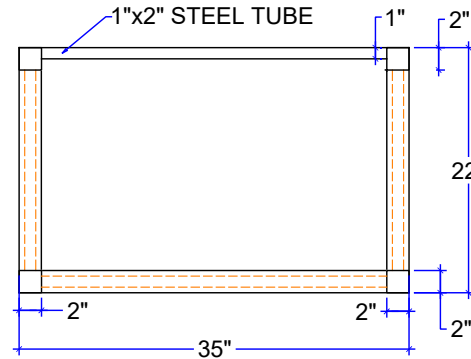
ALL: .120 WALL TUBE
FULLY WELDED
CONNECTIONS,
FINISHED SMOOTH.
FINISH: POWDER-COAT



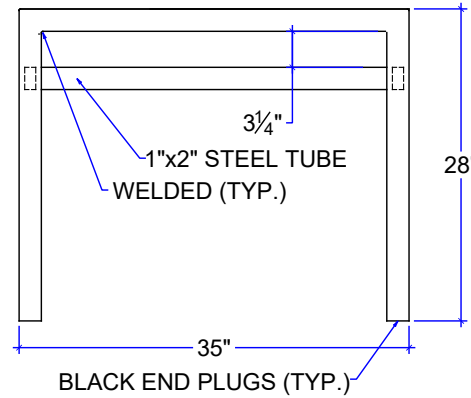
BLACK END PLUGS (TYP.)
FRONT ELEVATION

SIDE ELEVATION

P-RMP STAND

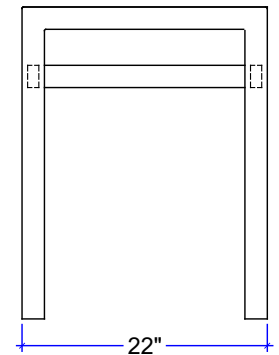


PLAN



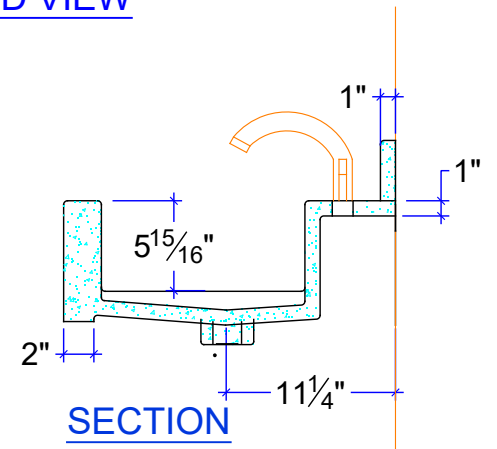
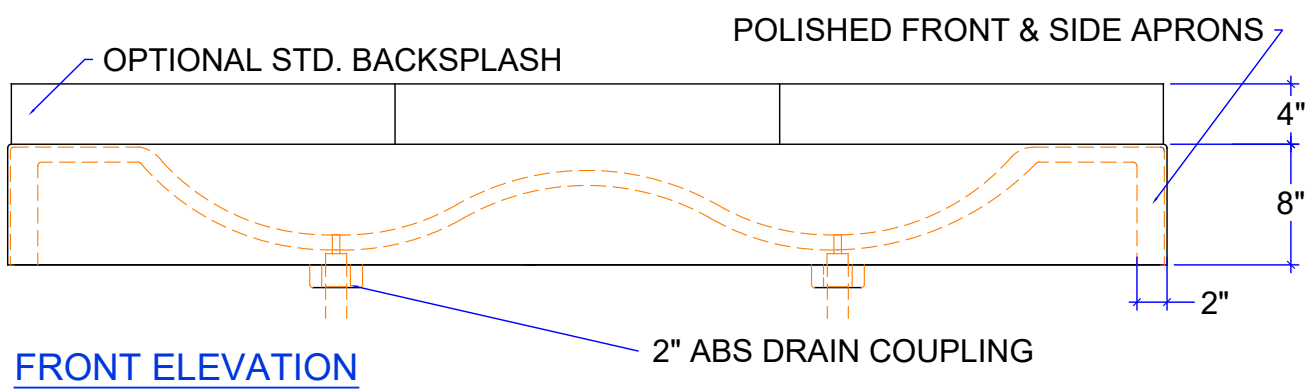
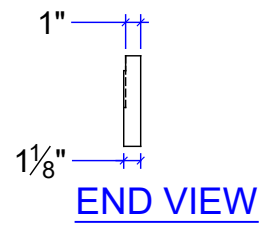
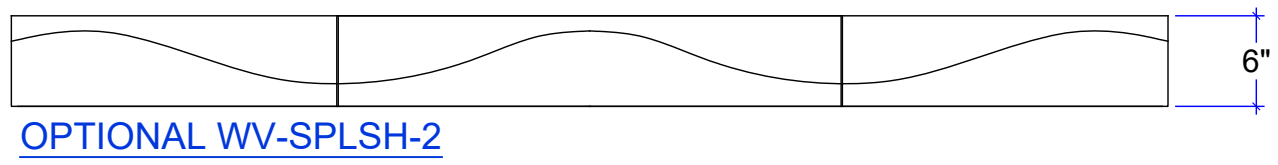
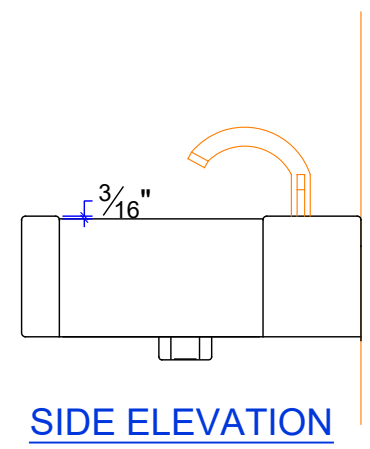
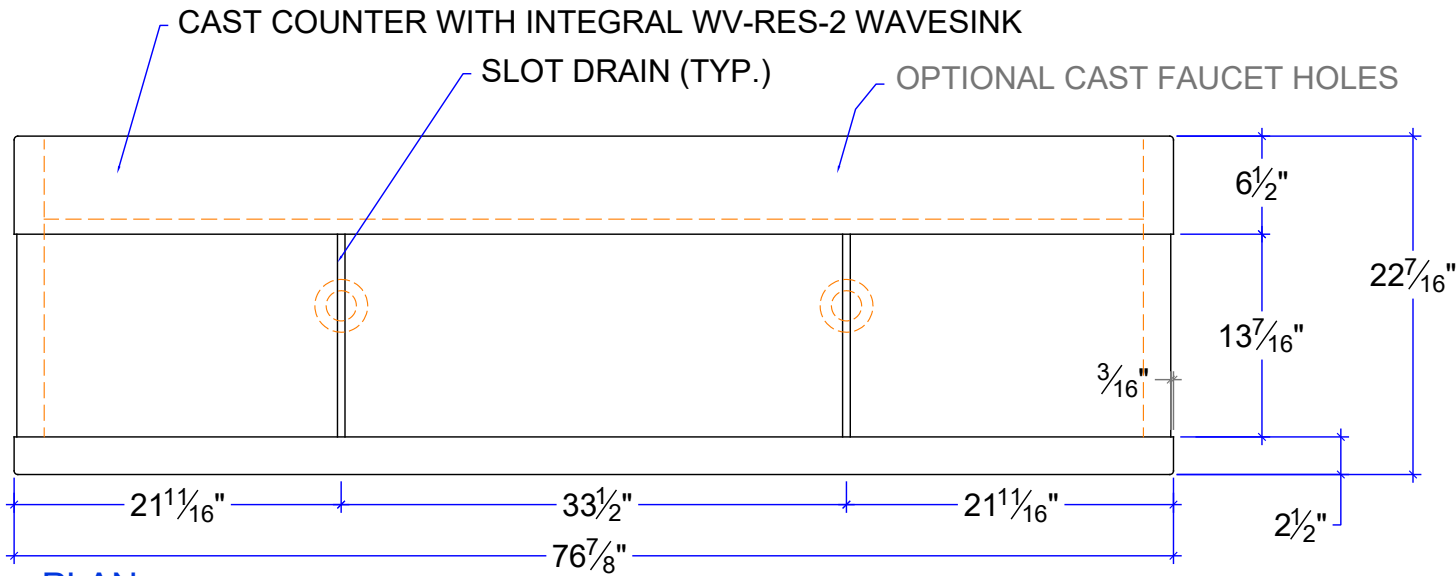
FRONT ELEVATION

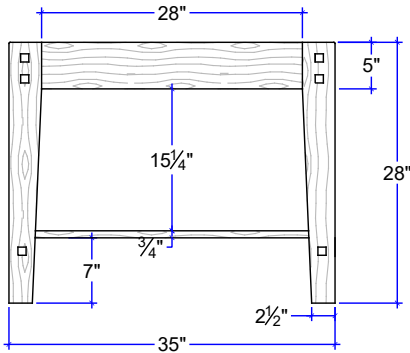
P-WV STAND



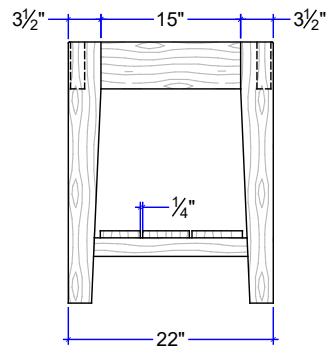
SIDE ELEVATION





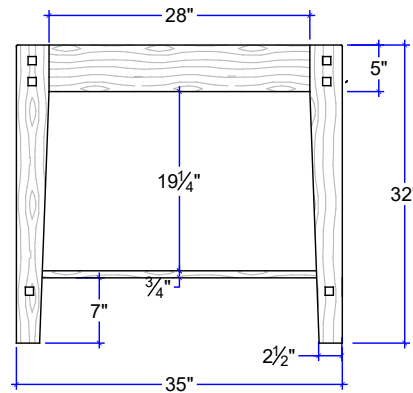


FRONT ELEVATION

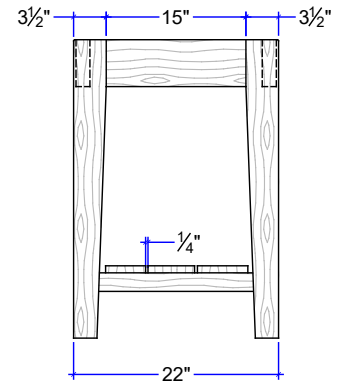


SIDE ELEVATION

P-COUNTERSINK & P-WAVE HARDWOOD STAND

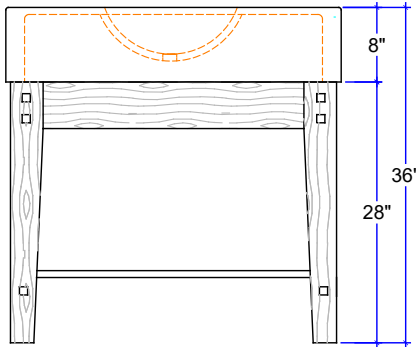


FRONT ELEVATION

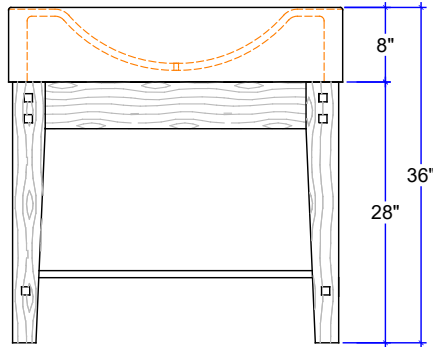


SIDE ELEVATION

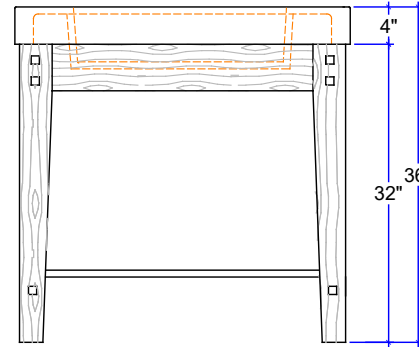
P-RAMP & P-TROUGH HARDWOOD STAND



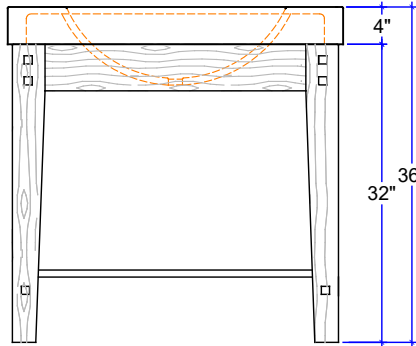
HARDWOOD STAND
WITH P-COUNTERSINK



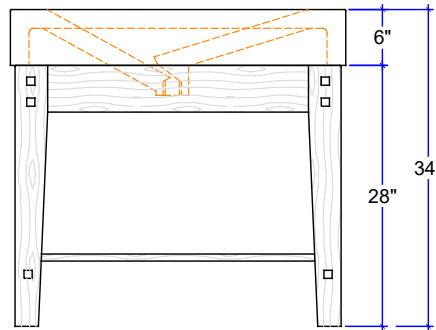
HARDWOOD STAND
WITH P-WAVE



HARDWOOD STAND
WITH P-RAMP



HARDWOOD STAND
WITH P-TROUGH



HARDWOOD STAND
WITH P-WATERFALL

P-SERIES HARDWOOD STANDS AND SINKS



© SONOMA CAST STONE
CONCRETE INNOVATIONS

(877) 283-2400 sales@sonomastone.com
www.sonomastone.com All rights reserved.



C IAPMO Certificate of Listing #4816

DATE : 11/15/2021

DRAWN BY : CF

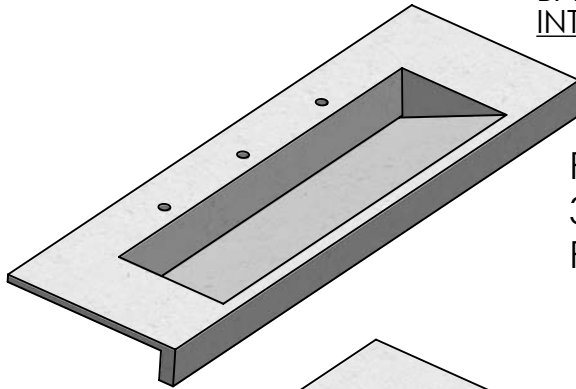


SONOMA CAST STONE
CONCRETE INNOVATIONS

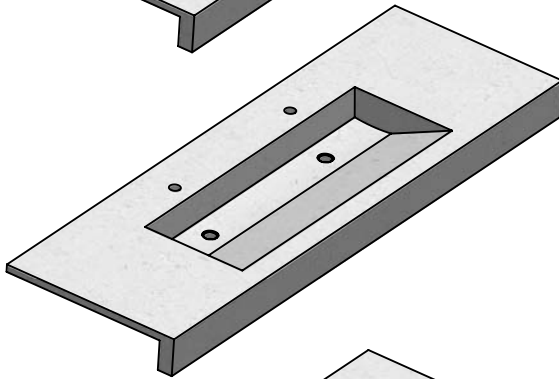
LONG BASIN ADA COMPLIANT SINKS

-See Also- WaveSinks and other multiple-basin options-

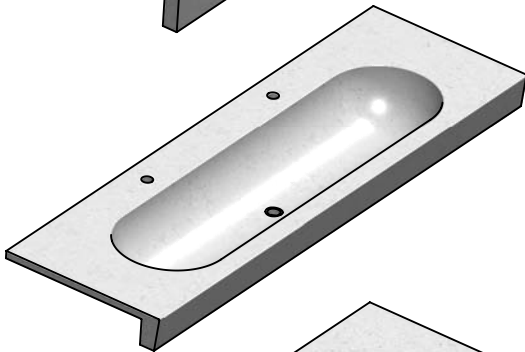
BASIN LENGTHS:
INTEGRAL IN CUSTOM COUNTERTOP UP TO 108"



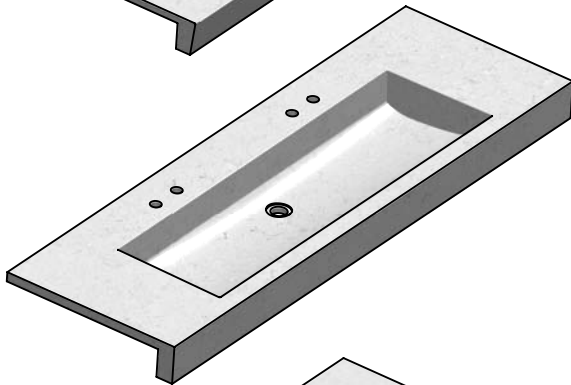
RampSinks, Slot Drain
32 lengths 10"-90" inside basin length
RMP-xxxx-B Model Numbers



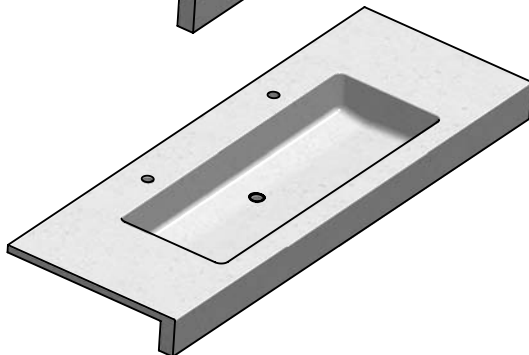
Flat-Bottom RampSinks, Standard Drain
lengths 16", 30", 40", 54" 84" inside basin length
RMP-xxxx-SD Model Numbers



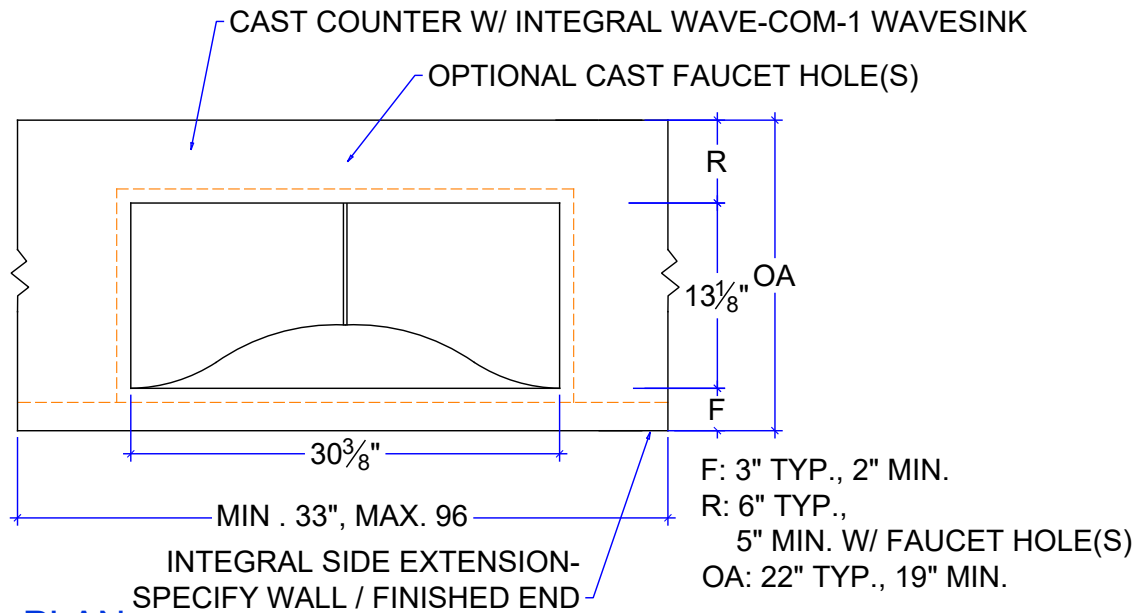
TroughSinks
lengths 27", 40", 48", 54", 66" inside basin length
TS-xxxx Model Numbers



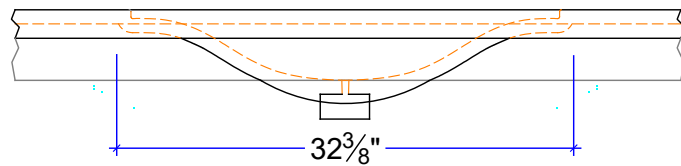
ChicagoSinks
lengths 52", 78", 90" inside basin length
CS-xxxx Model Numbers



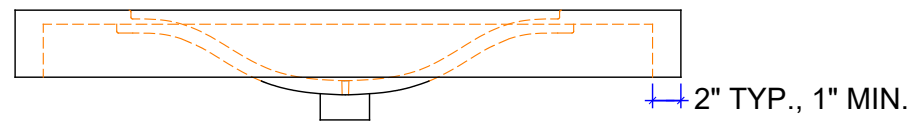
Flat-Bottom Countersinks
lengths 29", 42" inside basin length
CS-2914-FB & CS-4215-FB Models



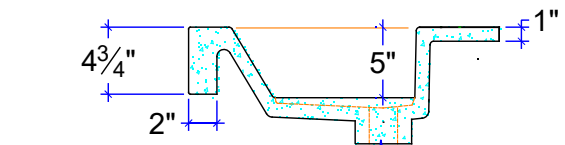
PLAN



FRONT ELEVATION

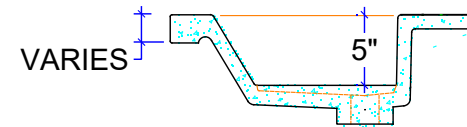


FINISHED END



2" ABS DRAIN COUPLING

SECTION- COMMERCIAL ADA



2" ABS DRAIN COUPLING

SECTION- RESIDENTIAL

CUSTOM SIZE COUNTERTOP WITH FIXED SIZE BASIN. DIMENSIONS ARE INSIDE SINK.

* THIS MODEL IS AVAILABLE AS A MULTI-SINK VANITY



© SONOMA CAST STONE
CONCRETE INNOVATIONS
(877) 283-2400 sales@sonomastone.com
www.sonomastone.com All rights reserved.

WV-COM-1
Single WaveSink, A.D.A. compliant

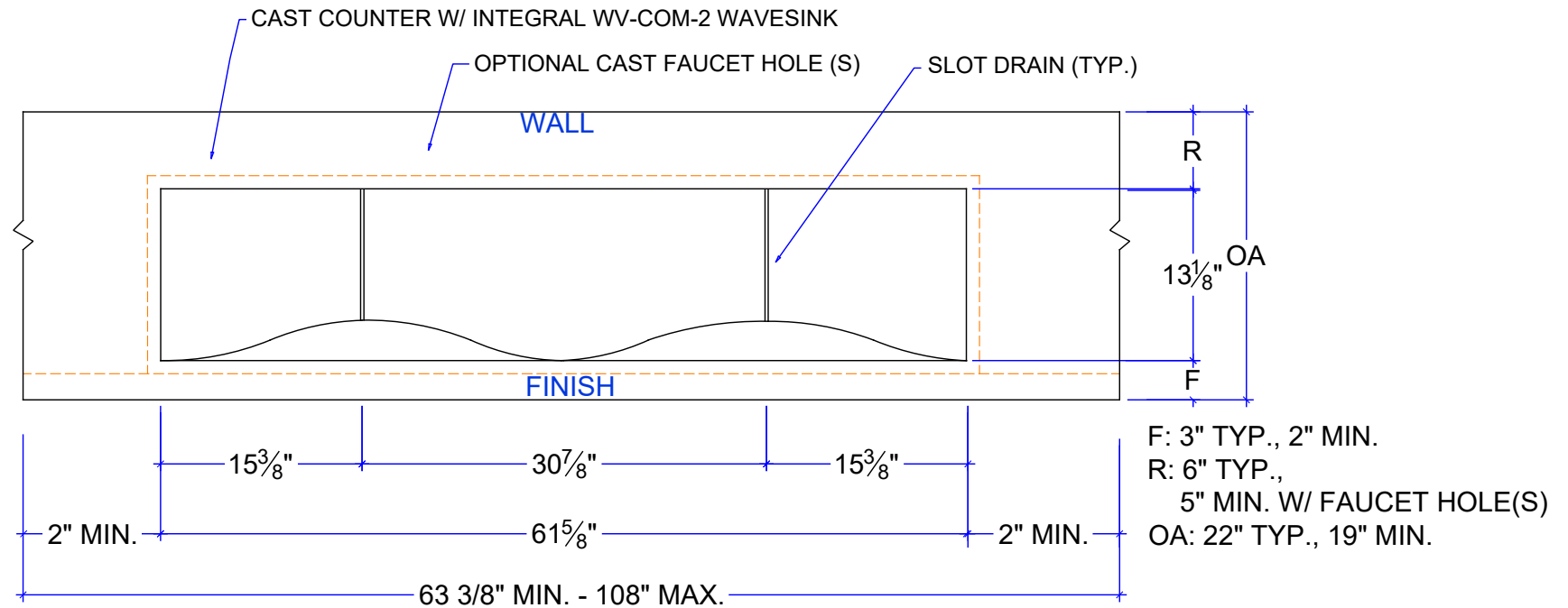


C IAPMO Certificate of Listing #4816

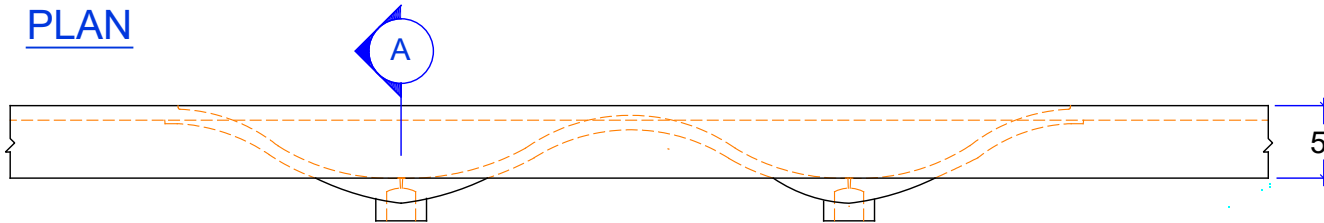


DATE : 11/15/2021

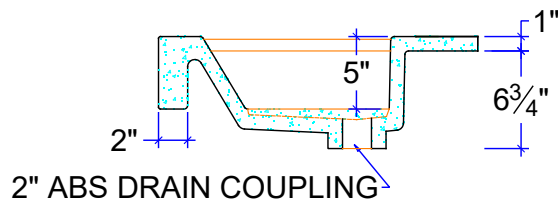
DRAWN BY: CF



PLAN



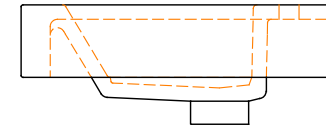
FRONT ELEVATION



SECTION A



WALL END & @ SUPPORTS



FINISH END

CUSTOM SIZE COUNTERTOP WITH FIXED SIZE BASIN. DIMENSIONS ARE INSIDE SINK.



© SONOMA CAST STONE
CONCRETE INNOVATIONS
 (877) 283-2400 sales@sonomastone.com
 www.sonomastone.com All rights reserved.

WV-COM-2
 Double WaveSink, A.D.A. compliant

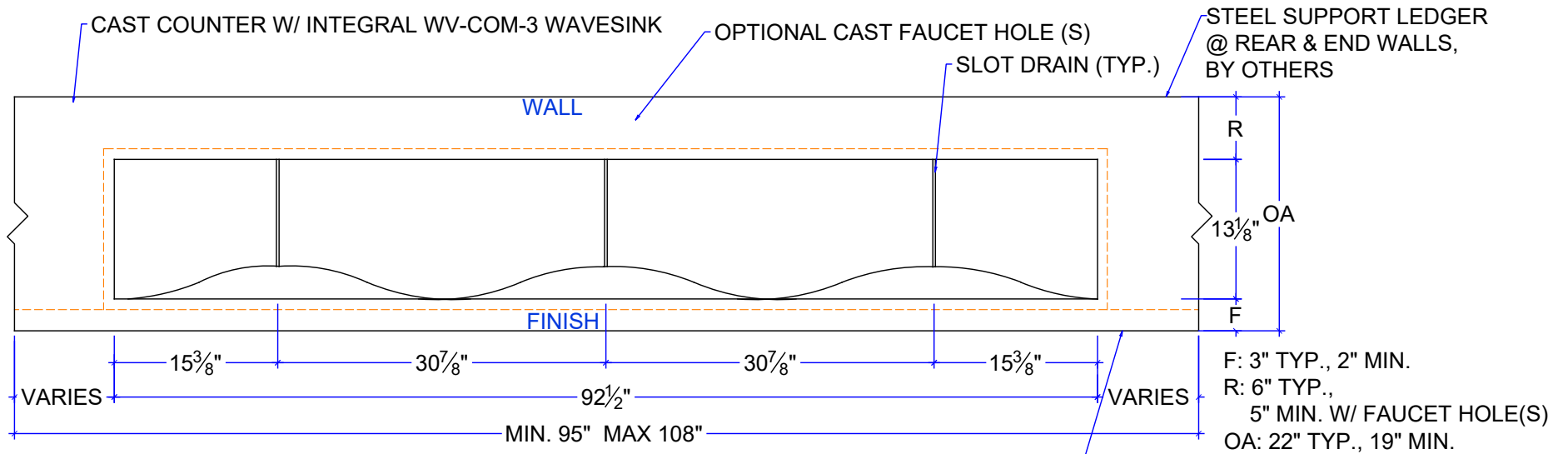


C IAPMO Certificate of Listing #4816



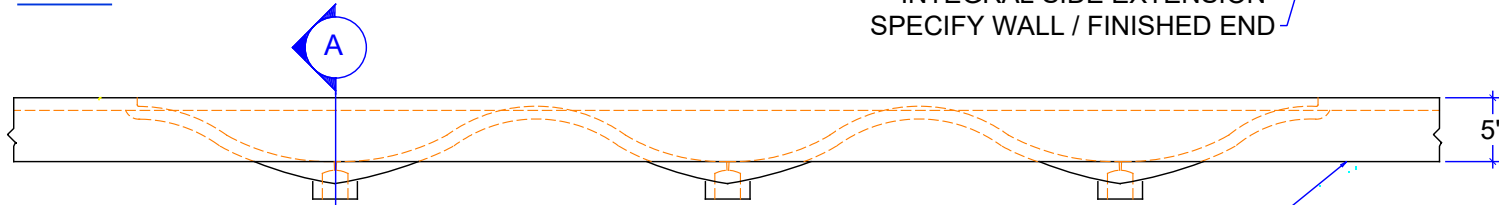
DATE : 11/15/2021

DRAWN BY: CF

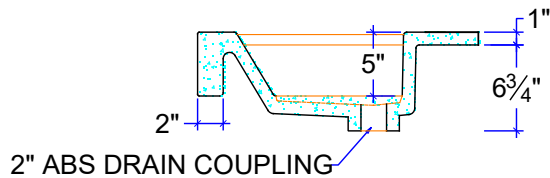


PLAN

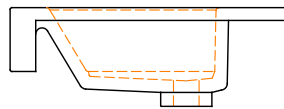
INTEGRAL SIDE EXTENSION-
SPECIFY WALL / FINISHED END



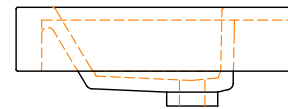
FRONT ELEVATION



SECTION A



WALL END



FINISH END

CUSTOM SIZE COUNTERTOP WITH FIXED SIZE BASIN. DIMENSIONS ARE INSIDE SINK.



© SONOMA CAST STONE
CONCRETE INNOVATIONS
(877) 283-2400 sales@sonomastone.com
www.sonomastone.com All rights reserved.

WV-COM-3
WaveSink, Triple, A.D.A. compliant

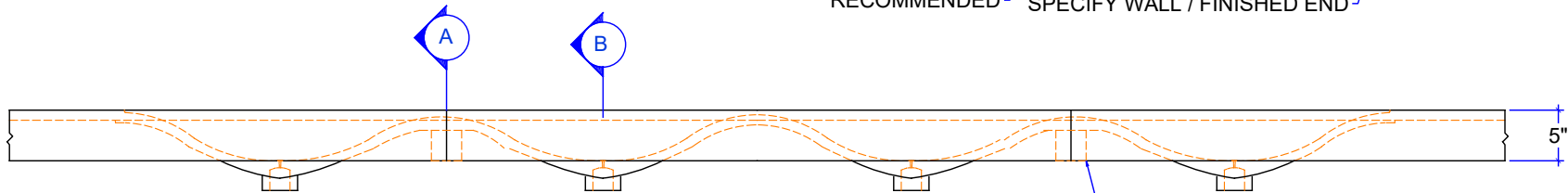
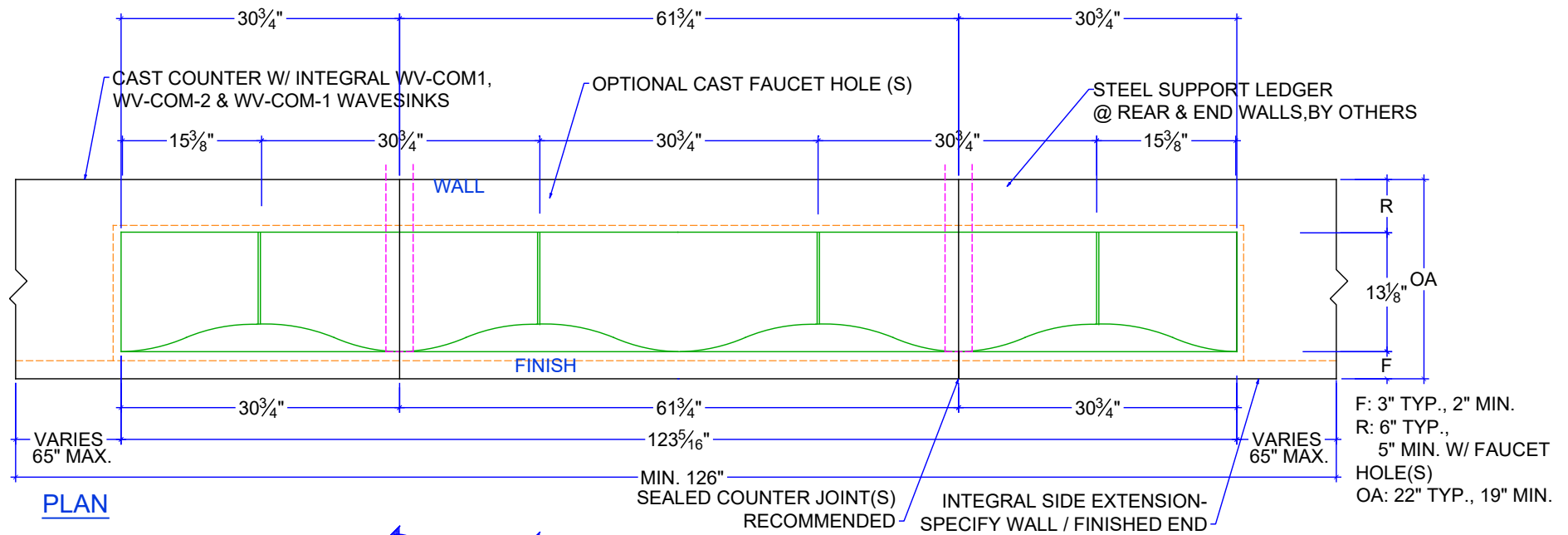


C IAPMO Certificate of Listing #4816

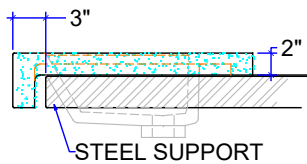


DATE : 11/15/2021

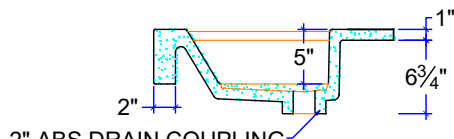
DRAWN BY: CF



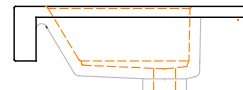
FRONT ELEVATION



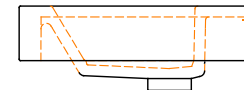
SECTION A



SECTION B

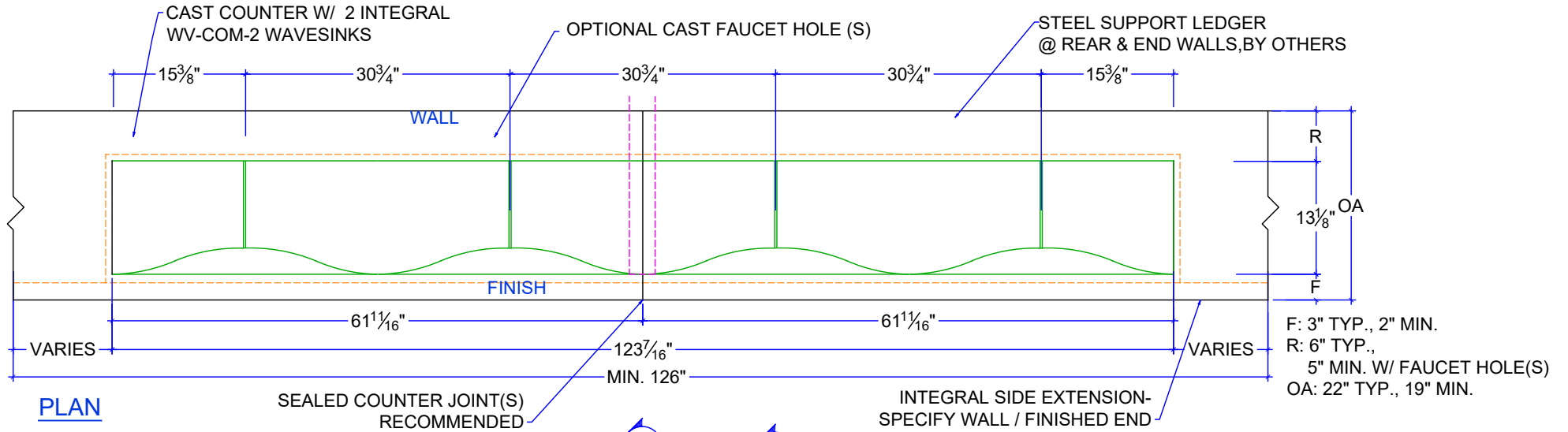


WALL END



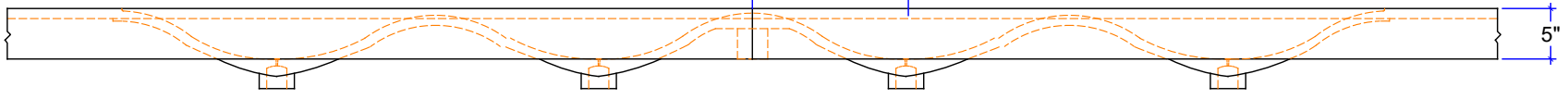
FINISH END

CUSTOM SIZE COUNTERTOP WITH FIXED SIZE BASIN. DIMENSIONS ARE INSIDE SINK.

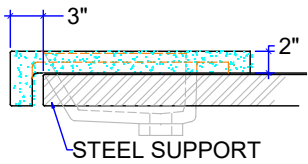


PLAN

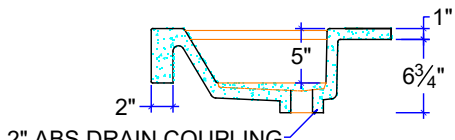
FRONT ELEVATION



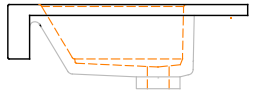
SECTION A



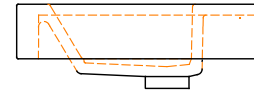
SECTION B



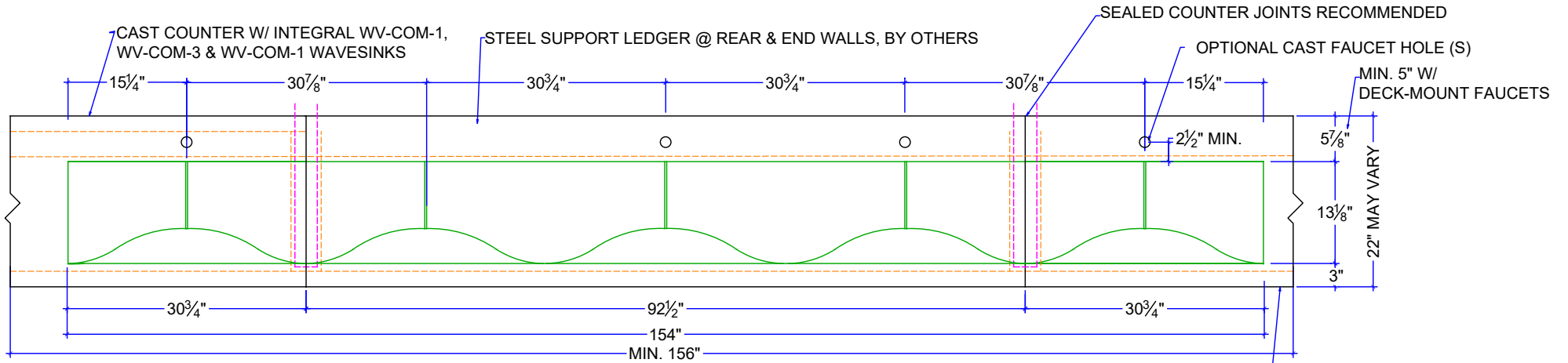
WALL END



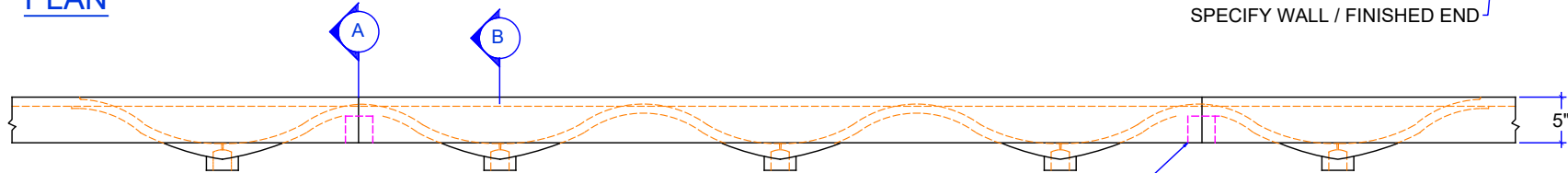
FINISH END



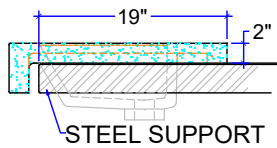
CUSTOM SIZE COUNTERTOP WITH FIXED SIZE BASIN. DIMENSIONS ARE INSIDE SINK.



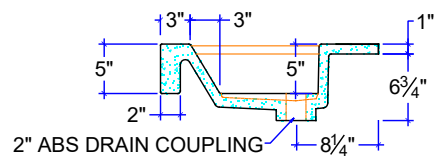
PLAN



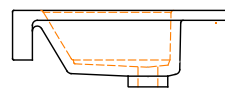
FRONT ELEVATION



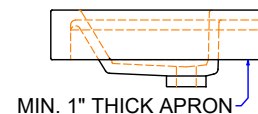
SECTION A



SECTION B



WALL END



FINISH END

CUSTOM SIZE COUNTERTOP WITH FIXED SIZE BASIN. DIMENSIONS ARE INSIDE SINK.



© SONOMA CAST STONE
CONCRETE INNOVATIONS
(877) 283-2400 sales@sonomastone.com
www.sonomastone.com All rights reserved.

WV-COM-5
WaveSink Quintuple, A.D.A. compliant

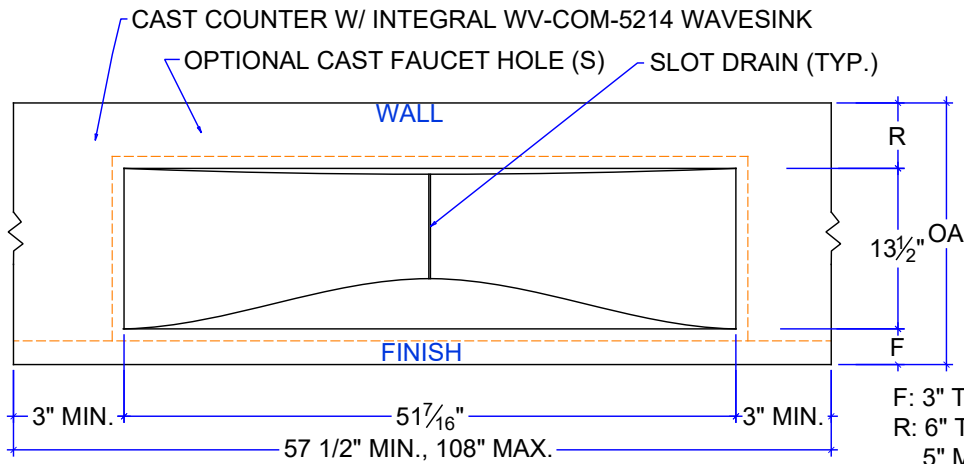


C IAPMO Certificate of Listing #4816



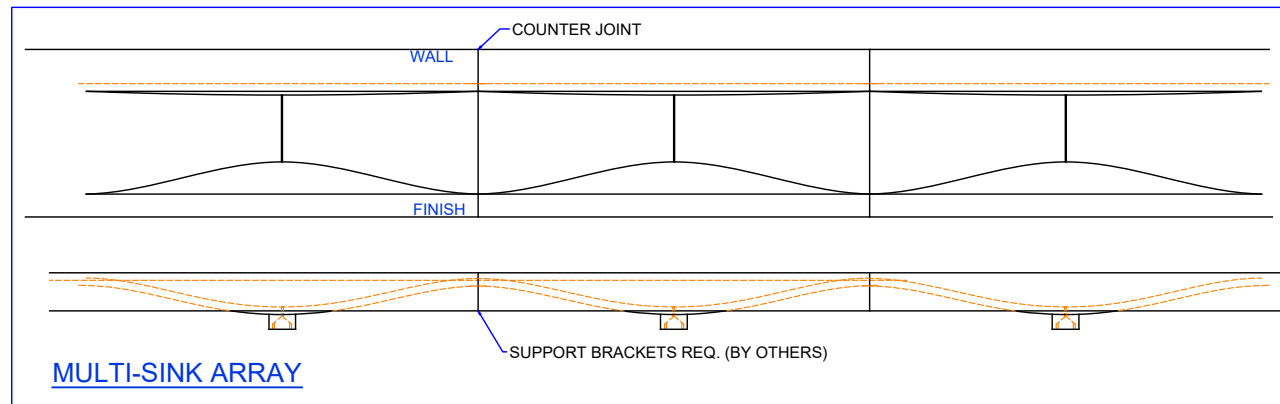
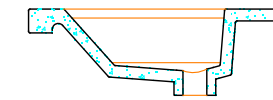
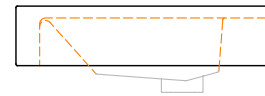
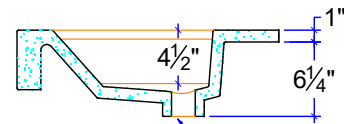
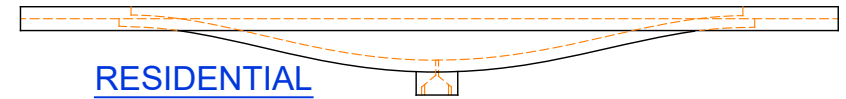
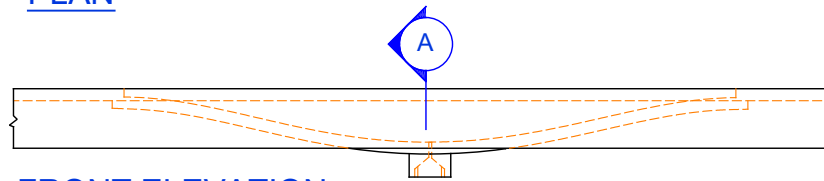
DATE : 11/15/2021

DRAWN BY: CF



F: 3" TYP., 2" MIN.
 R: 6" TYP.,
 5" MIN. W/ FAUCET HOLE(S)
 OA: 22" TYP., 19" MIN.

PLAN



CUSTOM SIZE COUNTERTOP WITH FIXED SIZE BASIN. DIMENSIONS ARE INSIDE SINK.



© SONOMA CAST STONE
 CONCRETE INNOVATIONS
 (877) 283-2400 sales@sonomastone.com
 www.sonomastone.com All rights reserved.

WV-COM-5214
 WaveSink Single A.D.A. compliant

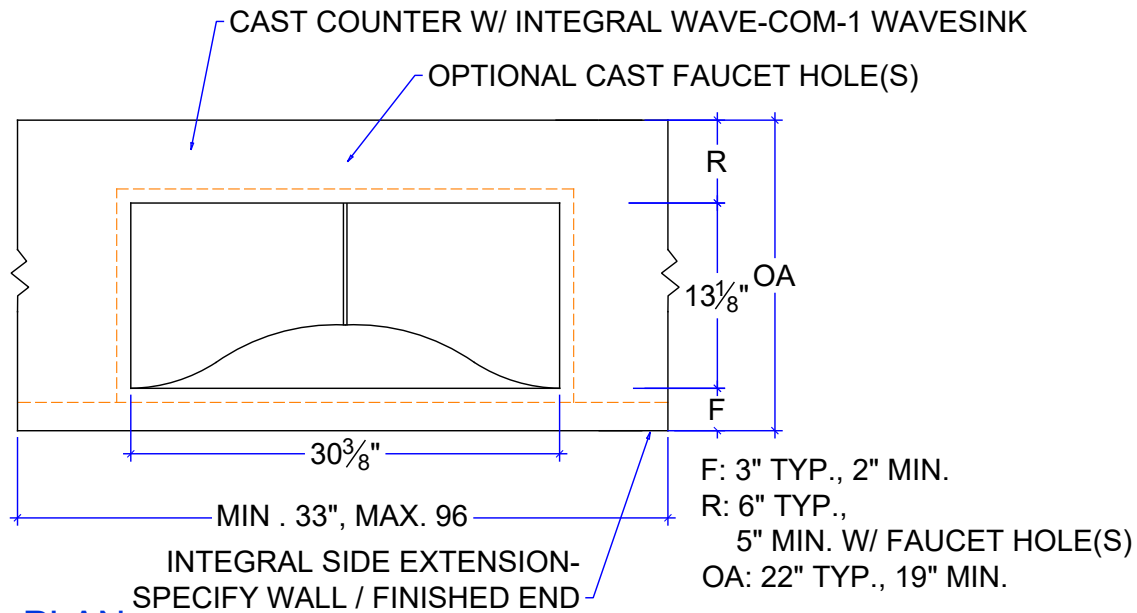


C UPC IAPMO Certificate of Listing #4816

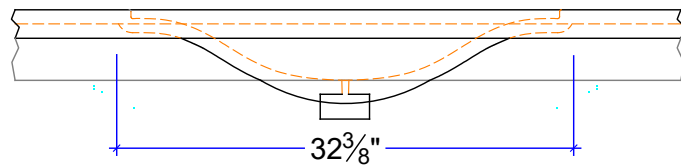


DATE : 11/15/2021

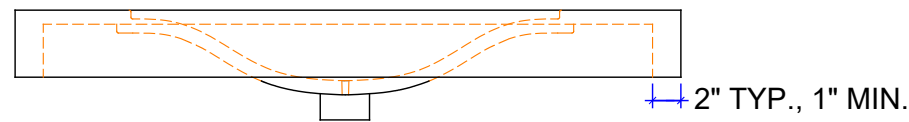
DRAWN BY: CF



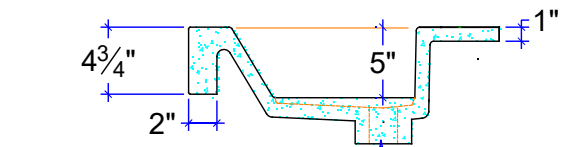
PLAN



FRONT ELEVATION

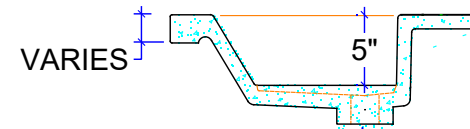


FINISHED END



2" ABS DRAIN COUPLING

SECTION- COMMERCIAL ADA



2" ABS DRAIN COUPLING

SECTION- RESIDENTIAL

CUSTOM SIZE COUNTERTOP WITH FIXED SIZE BASIN. DIMENSIONS ARE INSIDE SINK.

* THIS MODEL IS AVAILABLE AS A MULTI-SINK VANITY



© SONOMA CAST STONE
CONCRETE INNOVATIONS
(877) 283-2400 sales@sonomastone.com
www.sonomastone.com All rights reserved.

WV-COM-1
Single WaveSink, A.D.A. compliant

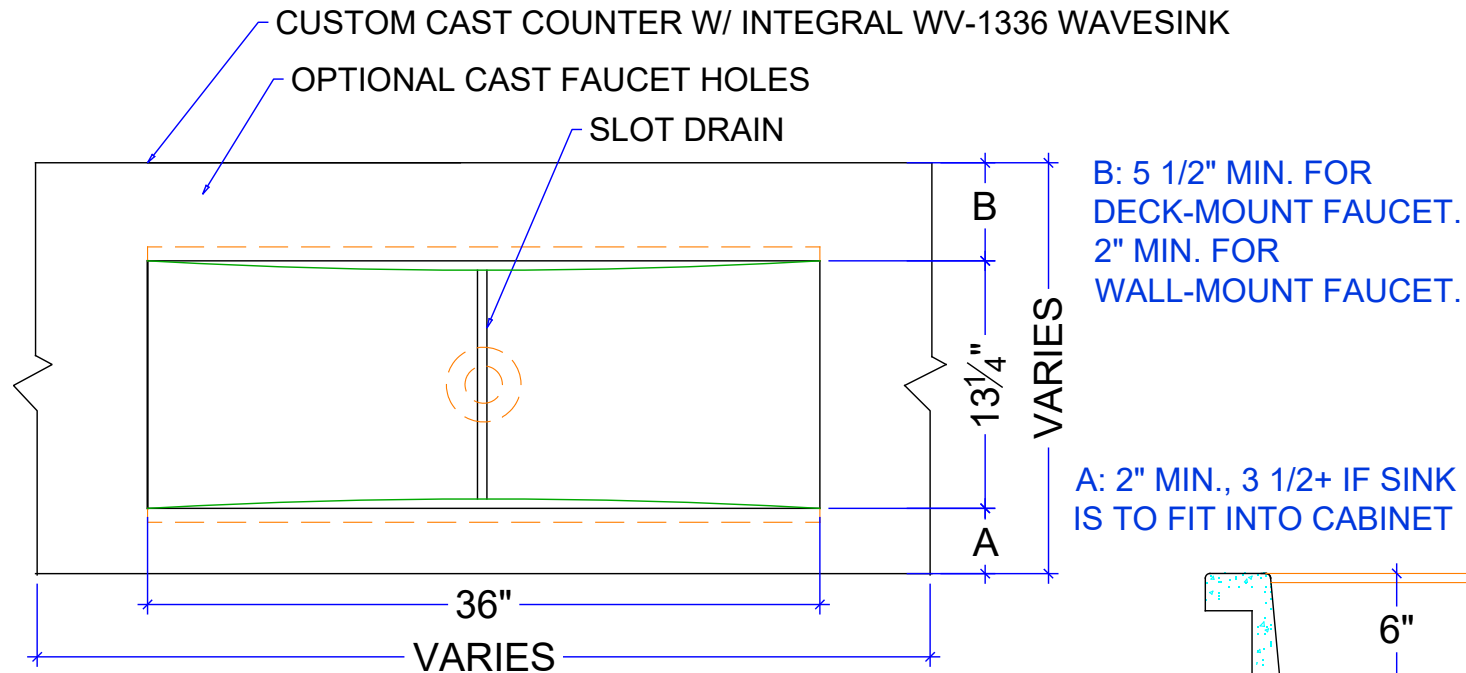


C IAPMO Certificate of Listing #4816



DATE : 11/15/2021

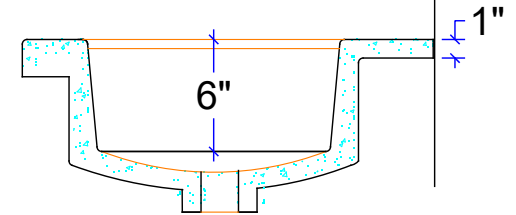
DRAWN BY: CF



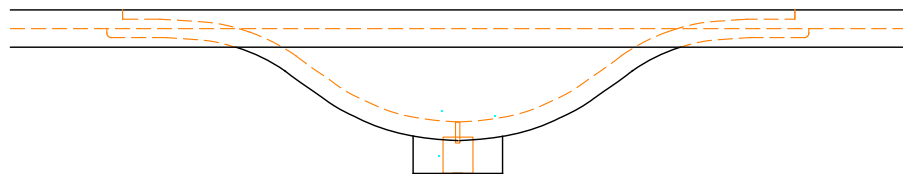
PLAN

B: 5 1/2" MIN. FOR
DECK-MOUNT FAUCET.
2" MIN. FOR
WALL-MOUNT FAUCET.

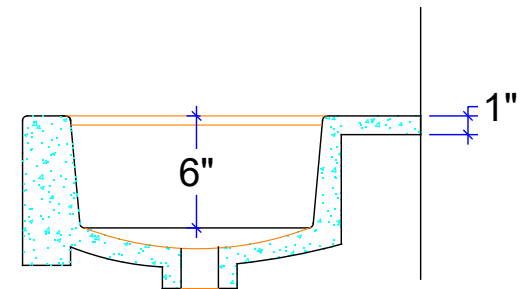
A: 2" MIN., 3 1/2+ IF SINK
IS TO FIT INTO CABINET



SECTION WITH 2" EDGE



FRONT ELEVATION



SECTION WITH 8" FRONT APRON

CUSTOM SIZE COUNTERTOP WITH FIXED SIZE BASIN. DIMENSIONS ARE INSIDE SINK.

* THIS MODEL IS AVAILABLE AS A MULTI-SINK VANITY



© **SONOMA CAST STONE**
CONCRETE INNOVATIONS
(877) 283-2400 sales@sonomastone.com
www.sonomastone.com All rights reserved.

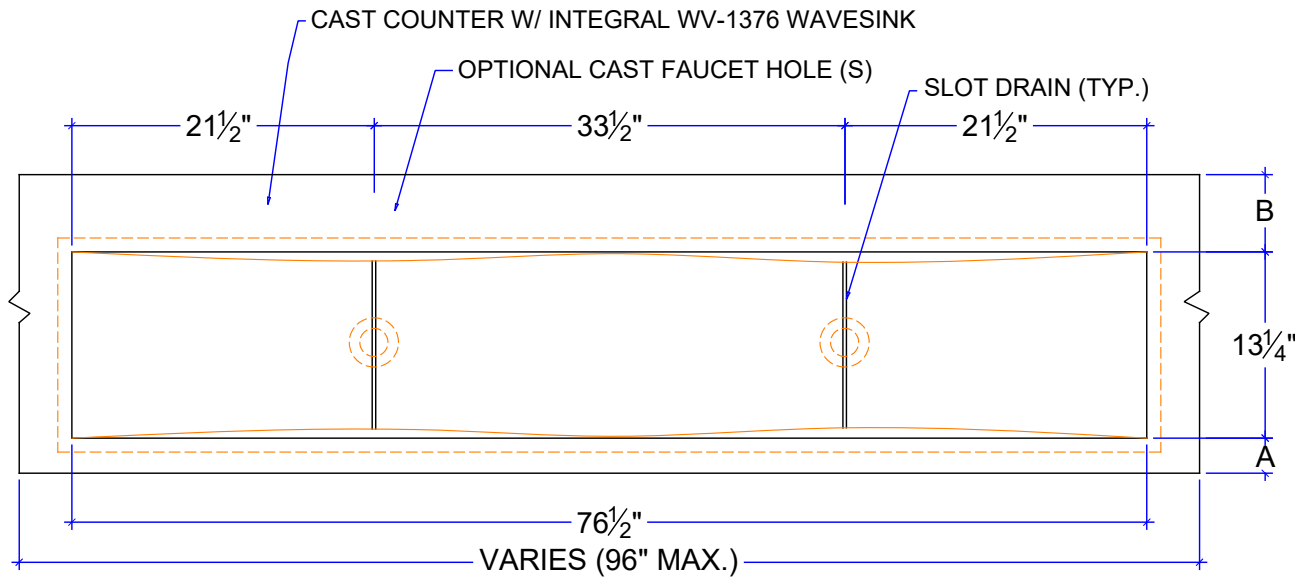
WaveSink Single WV-1336



C [®] IAPMO Certificate of Listing #4816

DATE : 12/18/2014

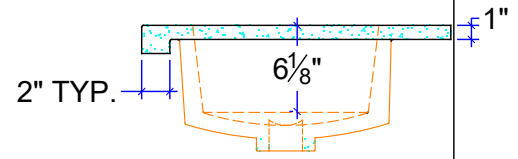
DRAWN BY: CF



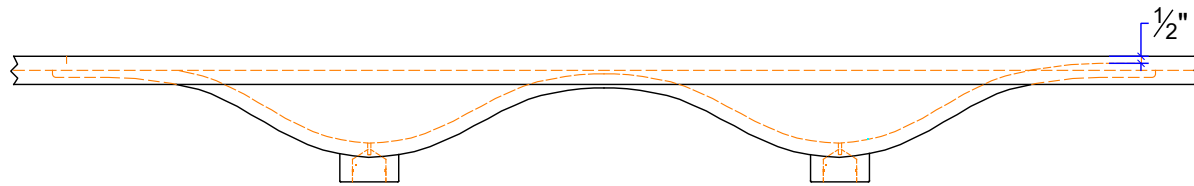
B: 5 1/2" MIN. FOR DECK-MOUNT FAUCET.
2" MIN. FOR WALL-MOUNT FAUCET.

A: 2" MIN., 3 1/2+ IF SINK IS TO FIT INTO CABINET

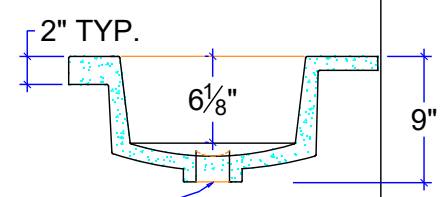
PLAN



SECTION BEYOND SINK

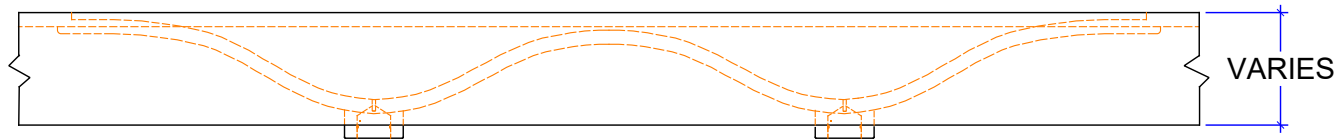


FRONT ELEVATION, STD. EDGE

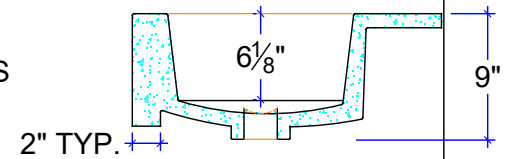


2" ABS DRAIN OUTLET

SECTION @ DRAIN



FRONT ELEVATION, EXTENDED FRONT APRON



SECTION @ DRAIN

CUSTOM SIZE COUNTERTOP WITH FIXED SIZE BASIN. DIMENSIONS ARE INSIDE SINK.



© SONOMA CAST STONE
CONCRETE INNOVATIONS
(877) 283-2400 sales@sonomastone.com
www.sonomastone.com All rights reserved.

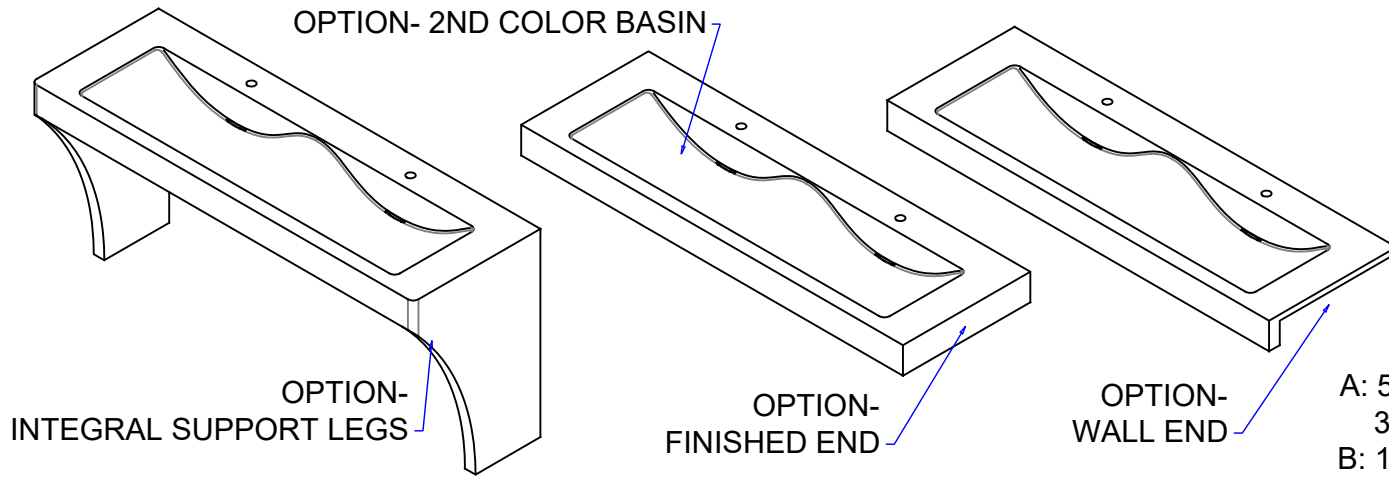
WaveSink, Double WV-1376



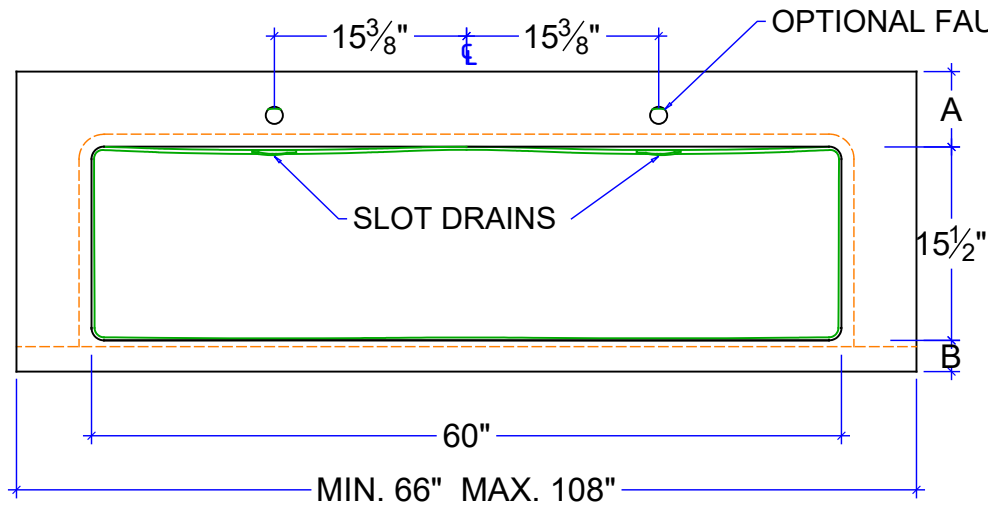
C UPC® IAPMO Certificate of Listing #4816

DATE : 11/15/2021

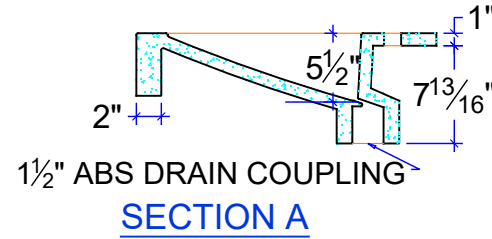
DRAWN BY: CF



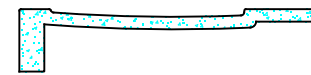
A: 5" MIN. W. DECK-MOUNT FAUCET
 3" MIN. W/ WALL-MOUNT FAUCET
 B: 1" MIN.; 2"-3" TYPICAL
 C. 5" TYPICAL COMMERCIAL APRON; 2" MIN.



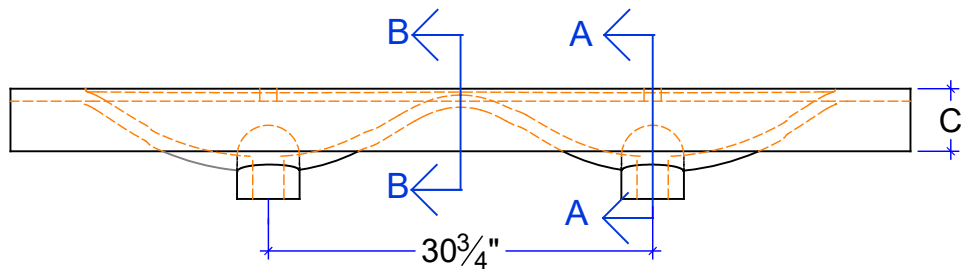
PLAN



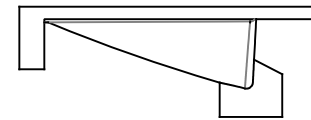
SECTION A



SECTION B



FRONT ELEVATION



RIGHT ELEVATION



© SONOMA CAST STONE
 CONCRETE INNOVATIONS
 (877) 283-2400 sales@sonomastone.com
 www.sonomastone.com All rights reserved.

RAVESINK, DOUBLE



® IAPMO Certificate of Listing #4816

A.D.A
 Compliant



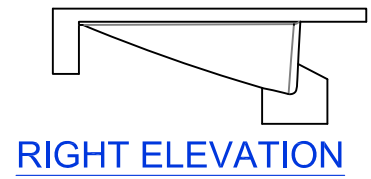
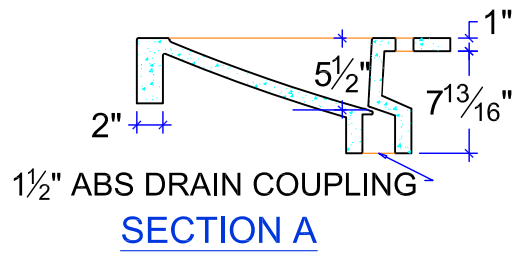
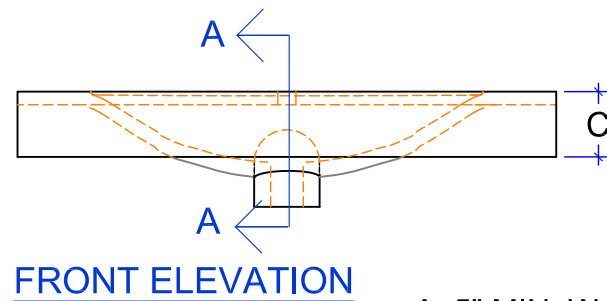
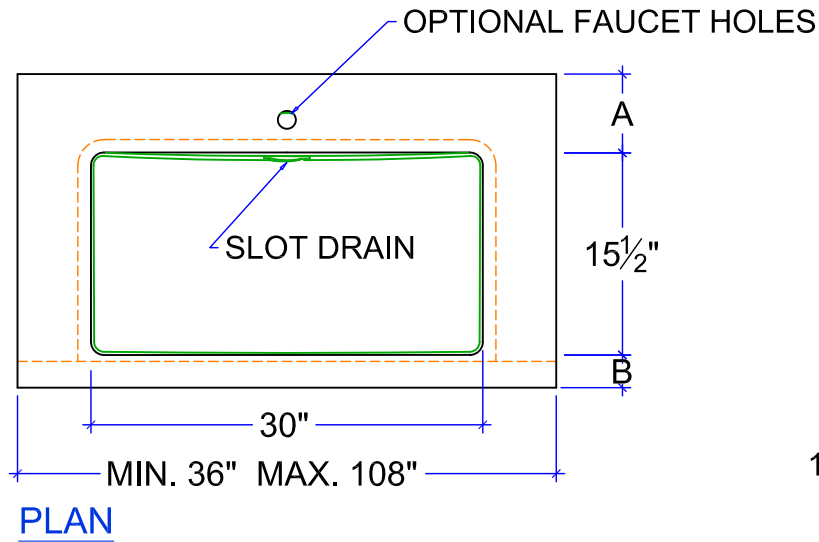
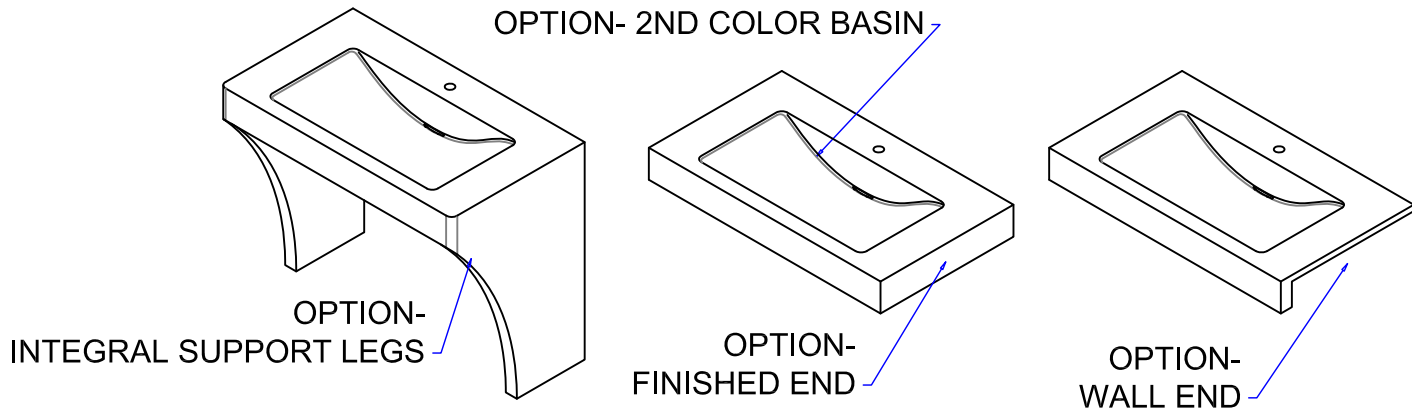
DATE : 11/2/2021

DRAWN BY: CF



SONOMA CAST STONE CORPORATION
 133 COPELAND STREET, PETALUMA, CA 94952
 707-283-1888
 FAX 707-283-1899

SINGLE RAVESINK
 DATE : 4/17/2017
 DRAWN BY: CF



- A: 5" MIN. W. DECK-MOUNT FAUCET
3" MIN. W/ WALL-MOUNT FAUCET
- B: 1" MIN.; 2"-3" TYPICAL
- C: 5" TYPICAL COMMERCIAL APRON; 2" MIN.