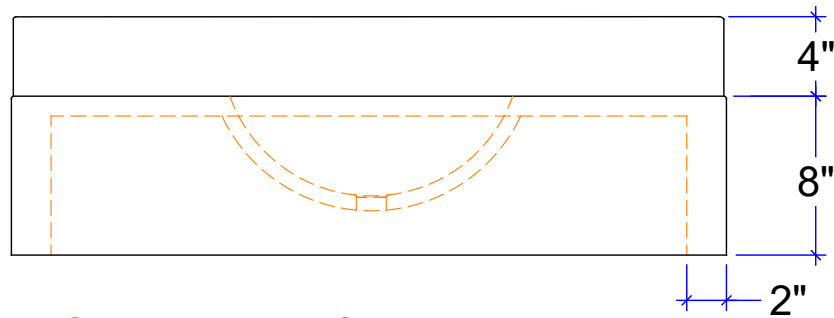
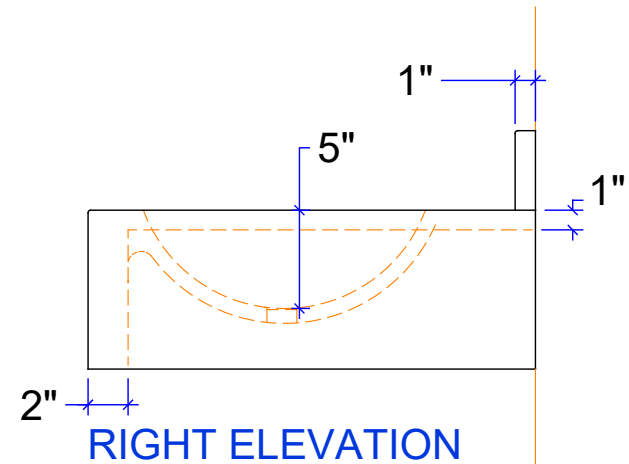


PLAN



FRONT ELEVATION



RIGHT ELEVATION



© SONOMA CAST STONE
CONCRETE INNOVATIONS
 (877) 283-2400 sales@sonomastone.com
 www.sonomastone.com All rights reserved.

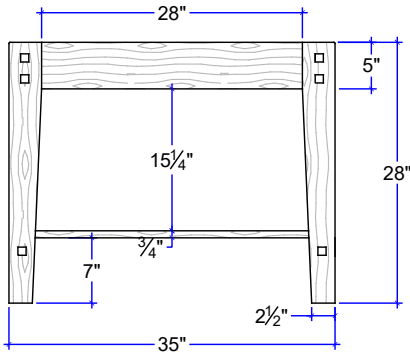
P-COUNTERSINK
 Standard Product. For custom configurations,
 see CounterSink pages.



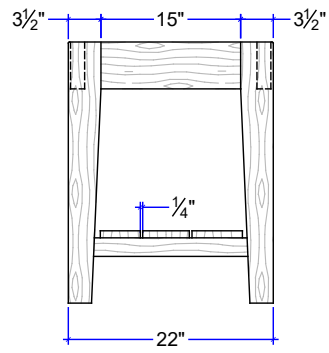
C [®] IAPMO Certificate of Listing #4816

DATE : 11/15/2021

DRAWN BY: CF

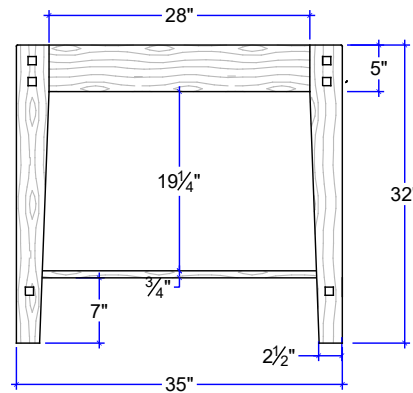


FRONT ELEVATION

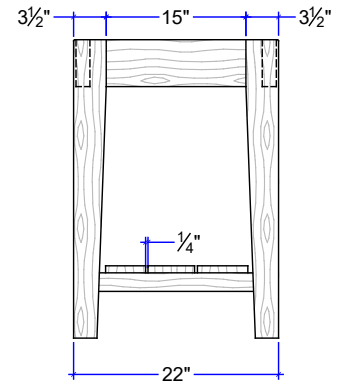


SIDE ELEVATION

P-COUNTERSINK & P-WAVE HARDWOOD STAND

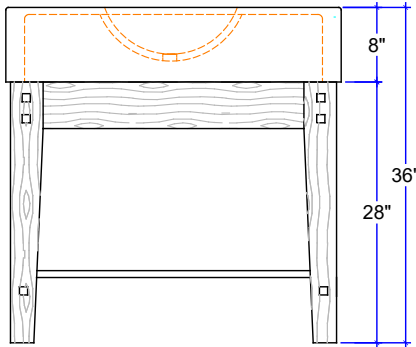


FRONT ELEVATION

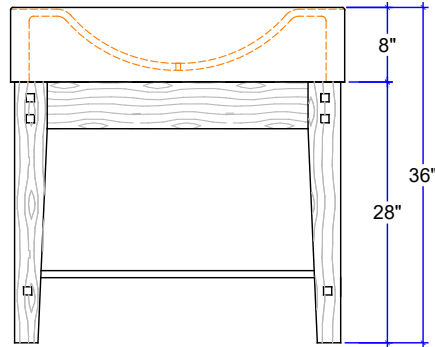


SIDE ELEVATION

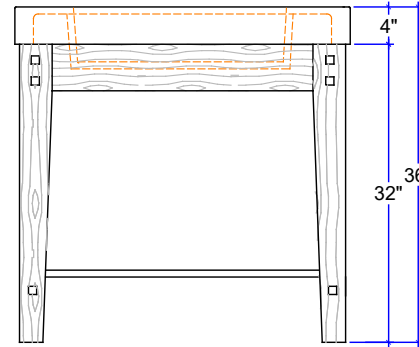
P-RAMP & P-TROUGH HARDWOOD STAND



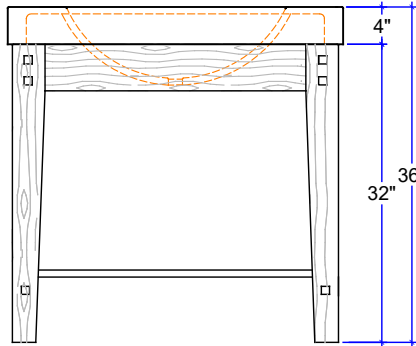
HARDWOOD STAND
WITH P-COUNTERSINK



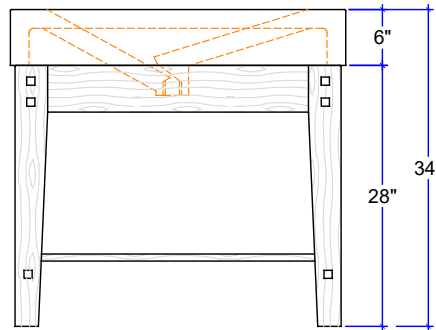
HARDWOOD STAND
WITH P-WAVE



HARDWOOD STAND
WITH P-RAMP



HARDWOOD STAND
WITH P-TROUGH



HARDWOOD STAND
WITH P-WATERFALL



© SONOMA CAST STONE
CONCRETE INNOVATIONS

(877) 283-2400 sales@sonomastone.com
www.sonomastone.com All rights reserved.

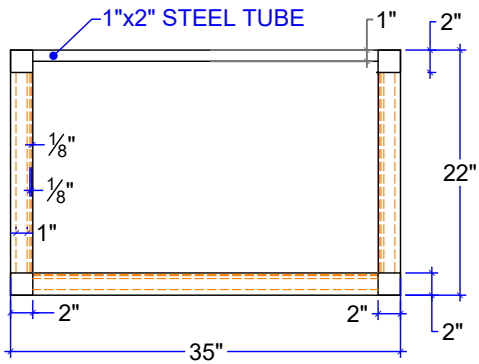
P-SERIES HARDWOOD STANDS AND SINKS



C ® IAPMO Certificate of Listing #4816

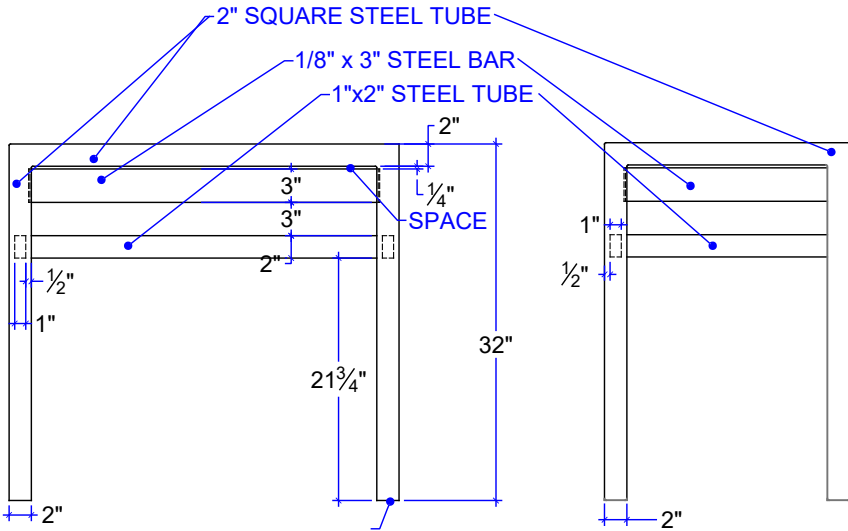
DATE : 11/15/2021

DRAWN BY : CF



PLAN

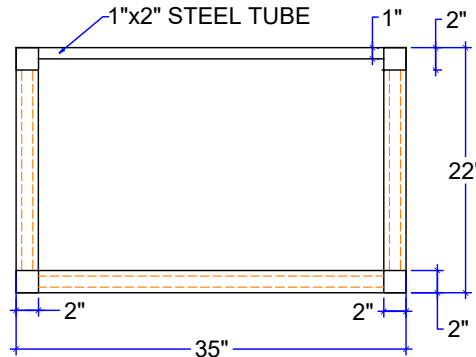
ALL: .120 WALL TUBE
FULLY WELDED
CONNECTIONS,
FINISHED SMOOTH.
FINISH: POWDER-COAT



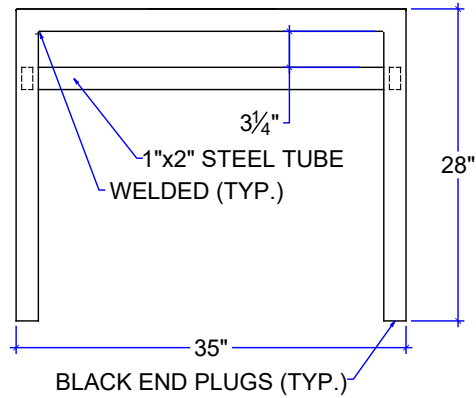
BLACK END PLUGS (TYP.)
FRONT ELEVATION

SIDE ELEVATION

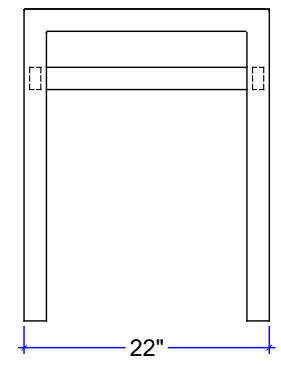
P-RMP STAND



PLAN



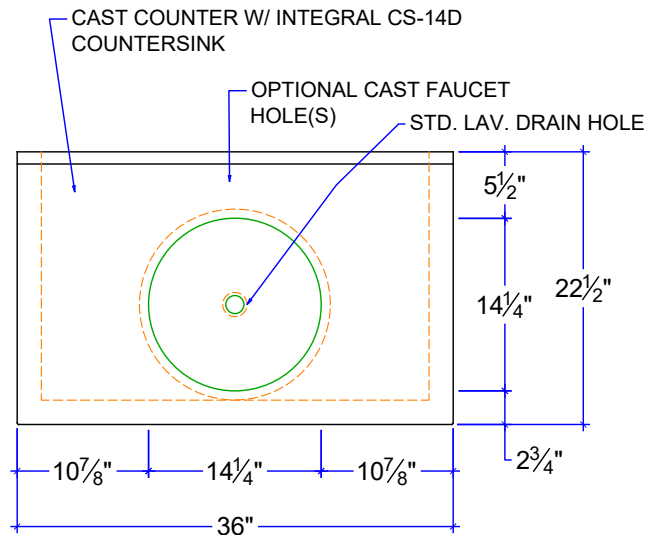
FRONT ELEVATION



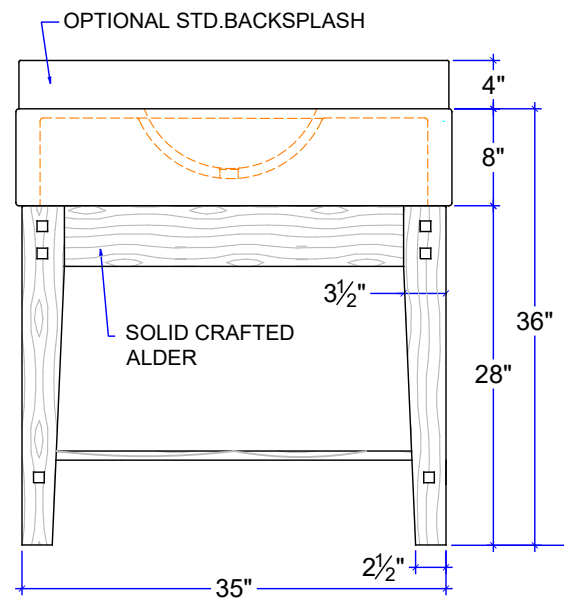
SIDE ELEVATION

P-WV STAND

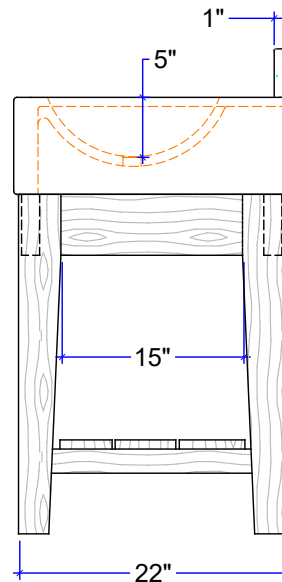




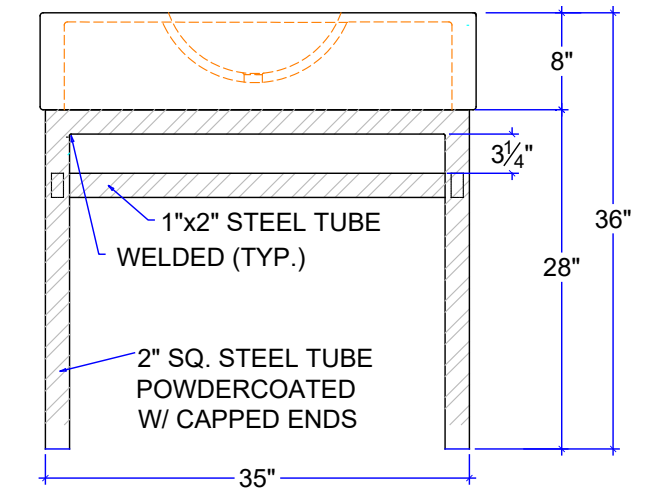
PLAN-VIEW



P-CS WITH OPTIONAL HARDWOOD STAND



SIDE-ELEVATION



P-CS WITH OPTIONAL STEEL STAND



© SONOMA CAST STONE
 CONCRETE INNOVATIONS
 (877) 283-2400 sales@sonomastone.com
 www.sonomastone.com All rights reserved.

P-COUNTERSINK & STAND
 Standard Product. For custom configurations,
 see CounterSink pages.

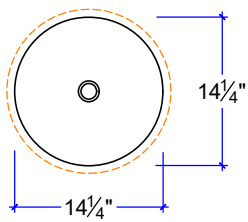


C ® IAPMO Certificate of Listing #4816

DATE : 11/15/2021

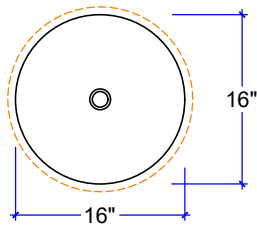
DRAWN BY: CF

ROUND BOWL



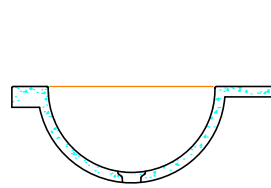
CS-14D*

14 1/4" DIA. x 4 7/8" DEEP
3 molds



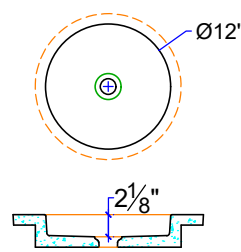
CS-16D*

16" DIA. x 8" DEEP
4 molds



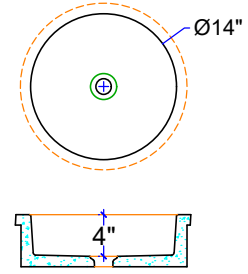
ROUND BOWL SECTION

ROUND PAN



CS-12D-FB ♿

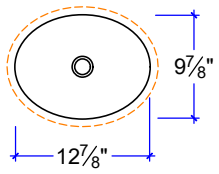
12" DIA. x 2 1/8" DEEP



CS-14D-FB ♿

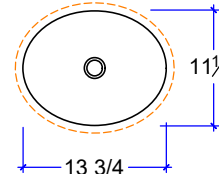
14" DIA. x 4" DEEP

OVAL W/CENTER DRAIN



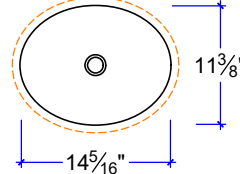
CS-1310^

12 7/8" x 9 7/8" x 4 1/2"
♿



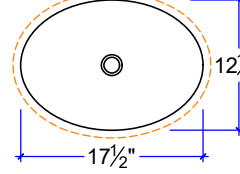
CS-1311^

13 3/4" x 11 1/8" x 4 5/8"
♿



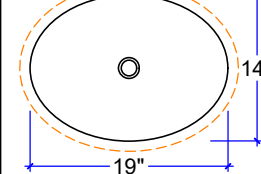
CS-1411*

4 5/16" x 11 3/8" x 5 7/8"
2 molds



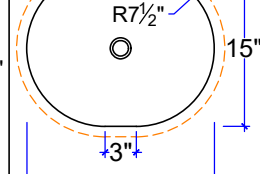
CS-1712*

17 1/2" x 12 1/2" x 5 3/4"
2 molds



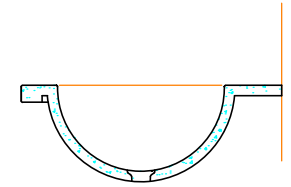
CS-1914

19" x 14" x 5 3/4"



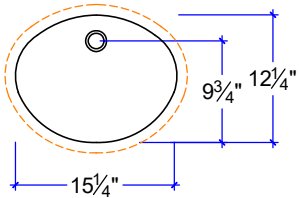
CS-1815*

8" x 15" x 6 1/2"
2 molds



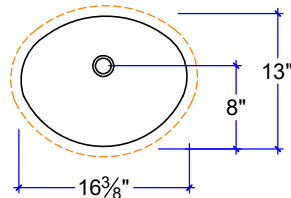
OVAL SINK SECTION W/ CENTER DRAIN

OVAL W/OFFSET DRAIN



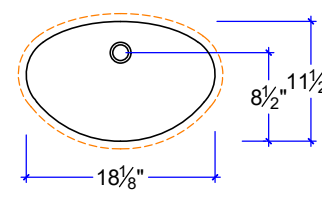
CS-1512*

15 1/4" x 12 1/4" x 5 3/4"
2 molds



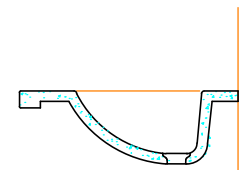
CS-1613*

16 3/8" x 13" x 5 1/2"
3 molds



CS-1811*

18 1/8" x 11 1/2" x 5 7/8"
3 molds (enquire)



OVAL SINK SECTION W/ OFFSET DRAIN

CUSTOM SIZE COUNTERTOP WITH FIXED SIZE BASIN. DIMENSIONS ARE INSIDE SINK.

* THESE MODELS ARE AVAILABLE AS MULTI-SINK VANITIES

^ THESE MODELS CAN COMPLY WITH A.D.A. STANDARDS



SONOMA CAST STONE
CONCRETE INNOVATIONS
(877) 283-2400 sales@sonomastone.com
www.sonomastone.com All rights reserved.

COUNTERSINKS ROUND & OVAL



© IAPMO Certificate of Listing #4816

DATE : 11/11/2025

DRAWN BY: CF