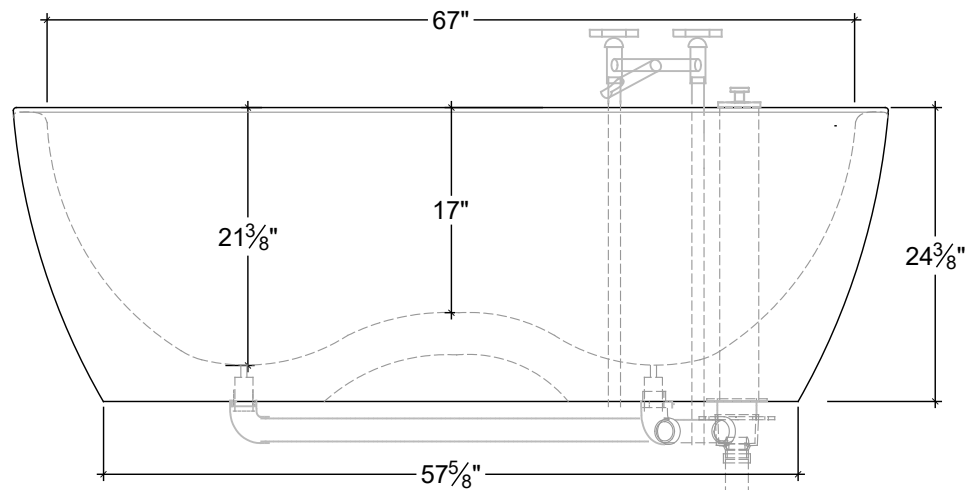
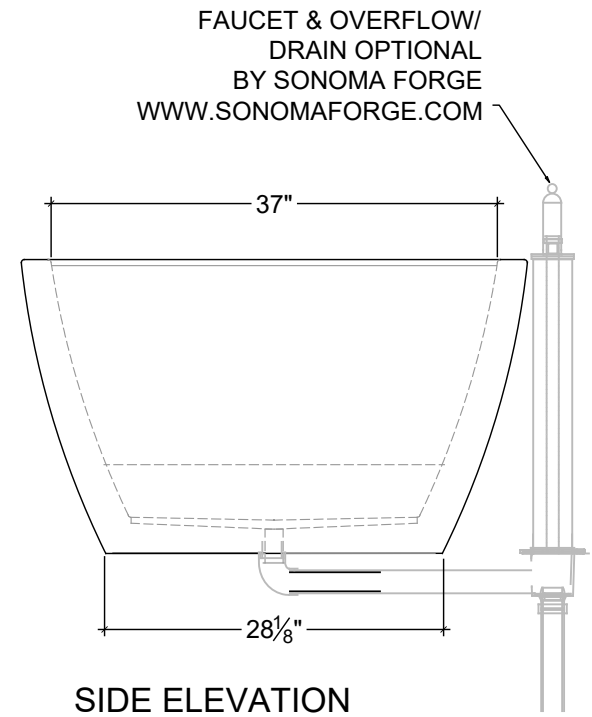


CAPACITY: 130 GALLONS
 APPROXIMATE DRY WEIGHT: 1,800LB
 FILLED WEIGHT: 2,840LB

PLAN



FRONT ELEVATION



SIDE ELEVATION