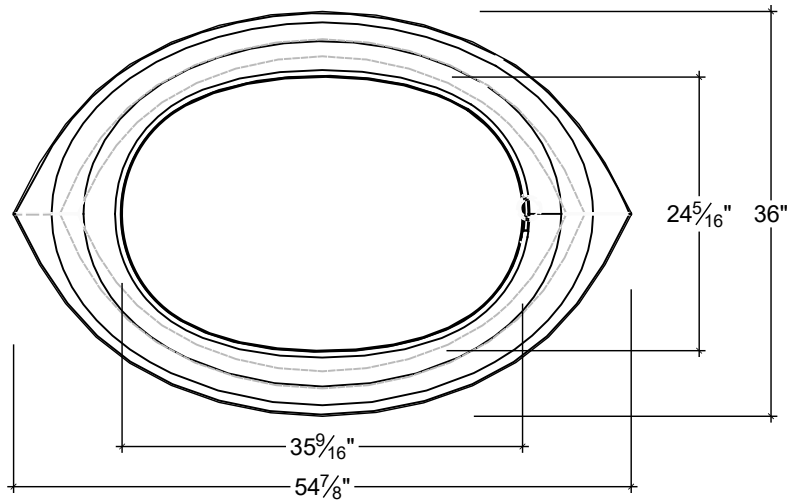
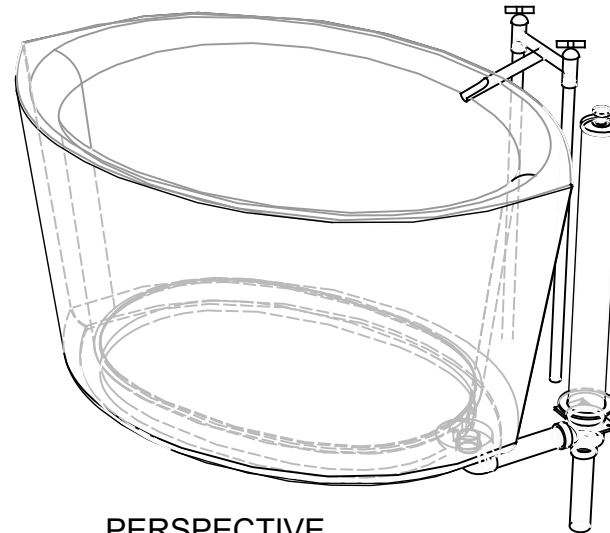


CAPACITY: 70 GALLONS
 APPROXIMATE DRY WEIGHT: 1,100LB
 FILLED WEIGHT: 1,660LB

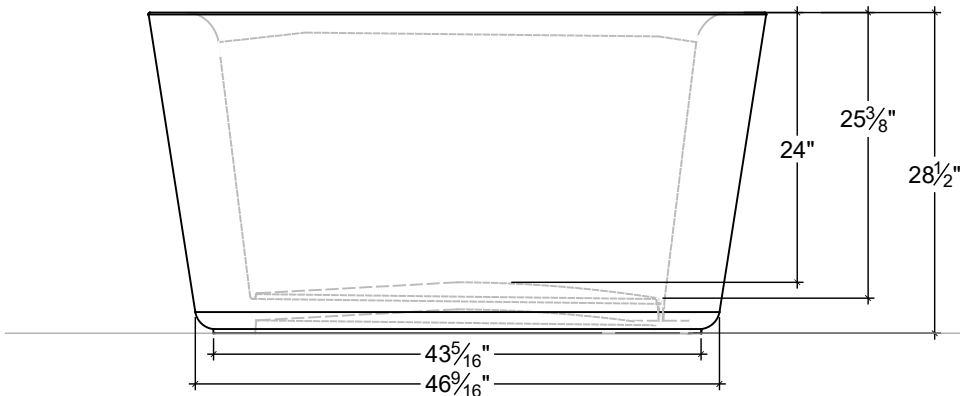


PLAN

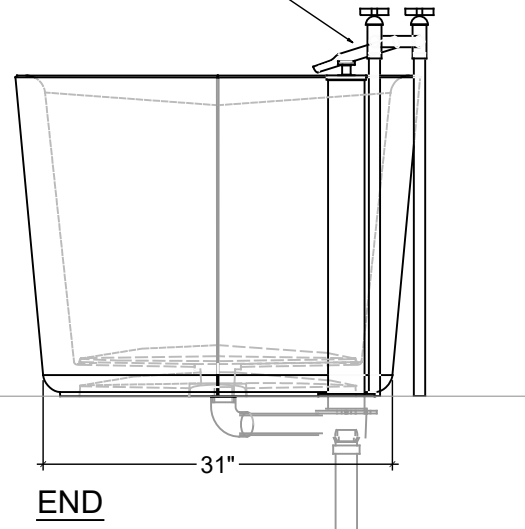


PERSPECTIVE

FAUCET & OVERFLOW/ DRAIN
 OPTIONAL BY SONOMA FORGE
WWW.SONOMAFORGE.COM



ELEVATION



END