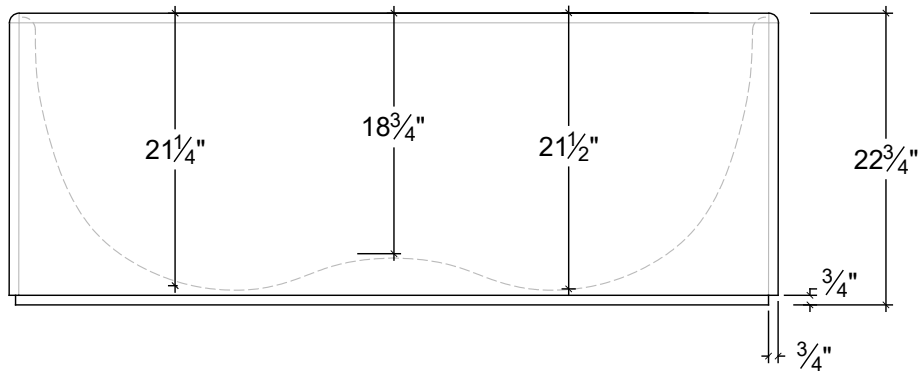
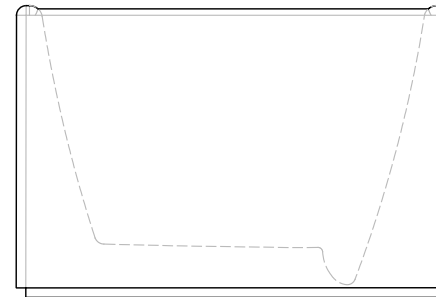


CAPACITY: 85 GALLONS
 APPROXIMATE DRY WEIGHT: 1,580LB.
 FILLED WEIGHT: 2,260

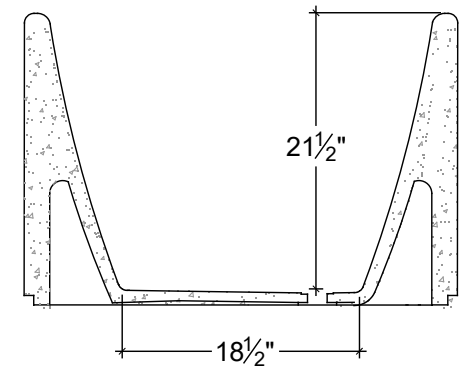
PLAN



FRONT ELEVATION



SIDE ELEVATION



SECTION @ DRAIN