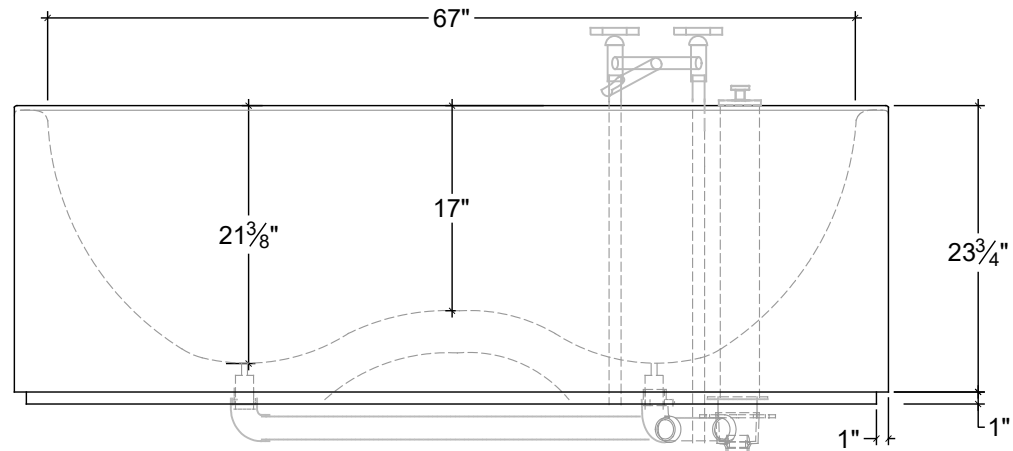
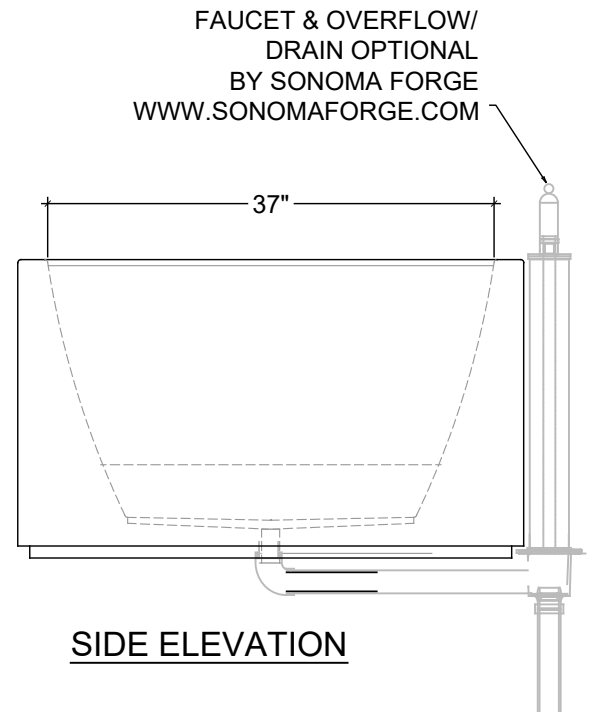


PLAN

CAPACITY: 130 GALLONS
 APPROXIMATE DRY WEIGHT: 2,300LB
 FILLED WEIGHT: 3,340LB



FRONT ELEVATION



SIDE ELEVATION

FAUCET & OVERFLOW/
 DRAIN OPTIONAL
 BY SONOMA FORGE
 WWW.SONOMAFORGE.COM