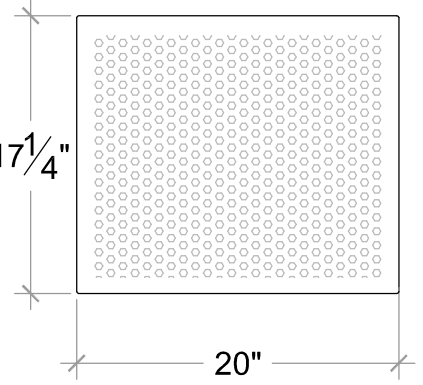
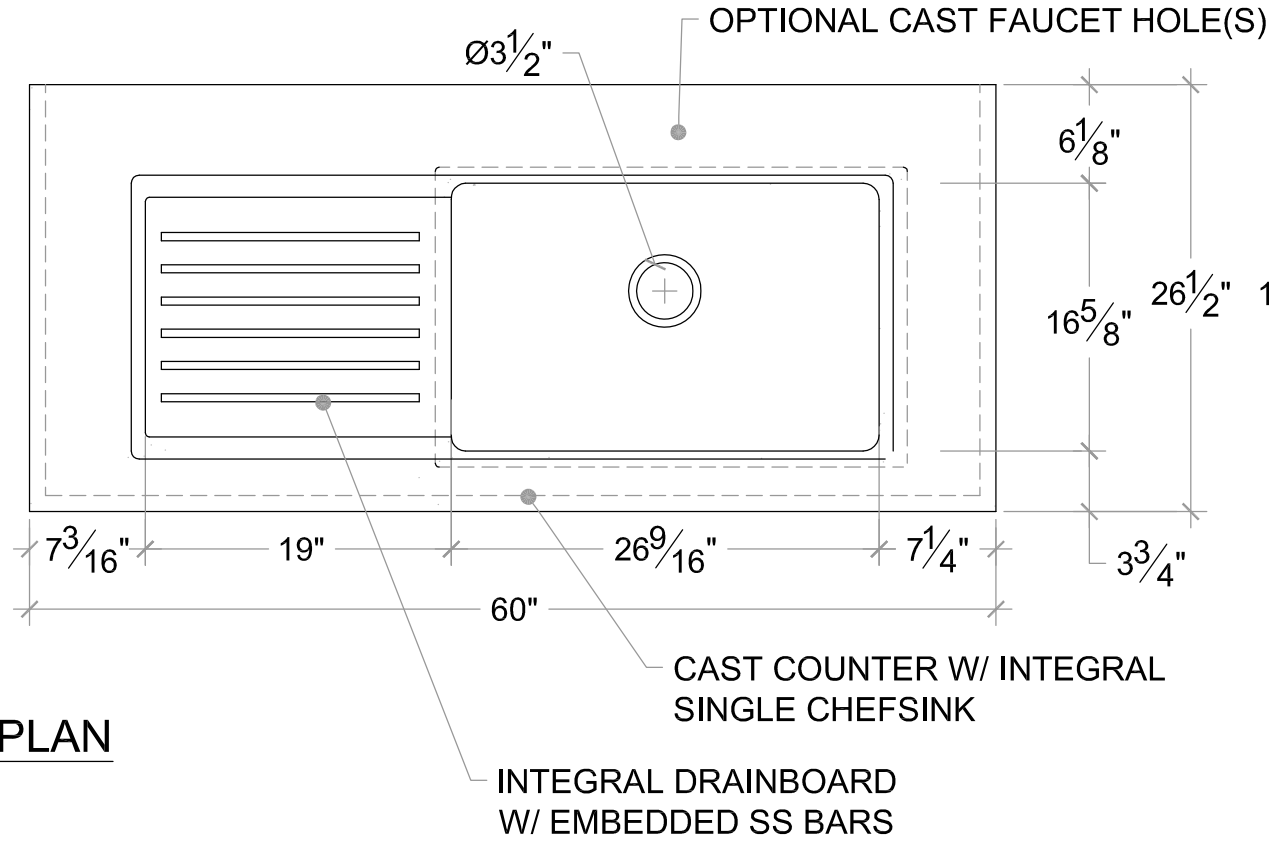




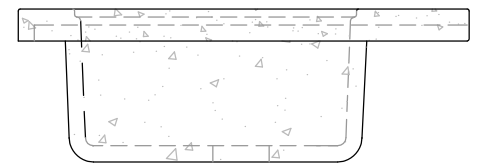
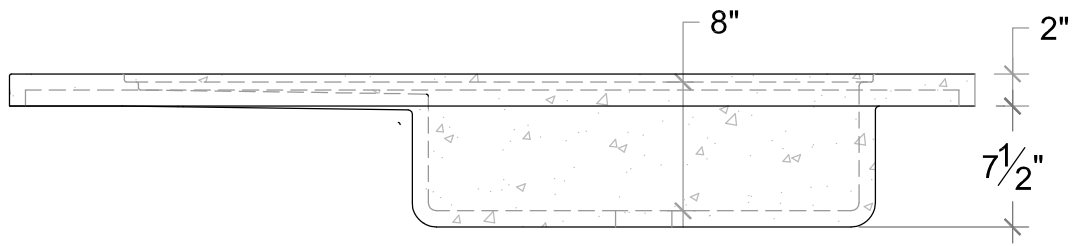
SONOMA CAST STONE CORPORATION
 133 COPELAND STREET PETALUMA, CA 94952
 707-283-1888
 FAX 707-283-1899

CHF-SING-L-S-60

VERSION 7/10

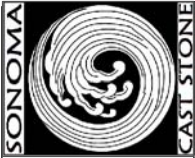


PLAN



FRONT ELEVATION

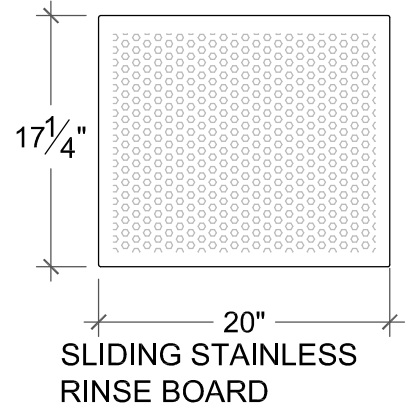
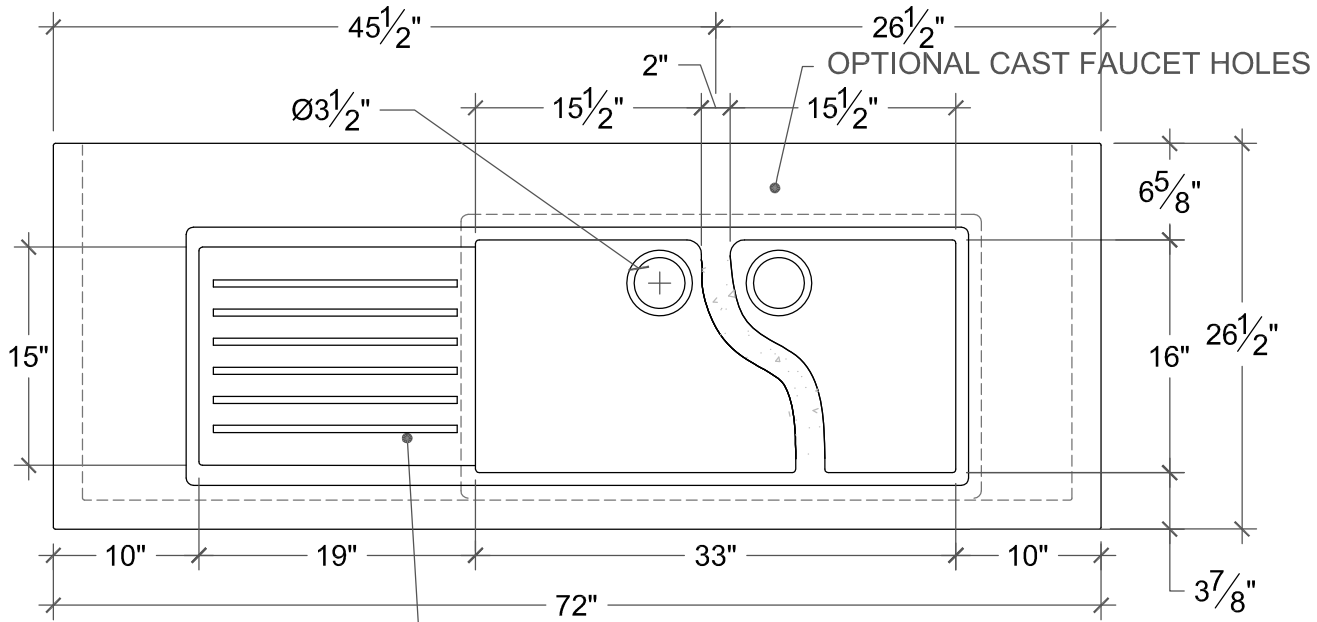
SIDE ELEVATION



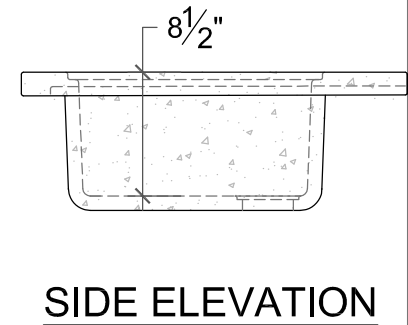
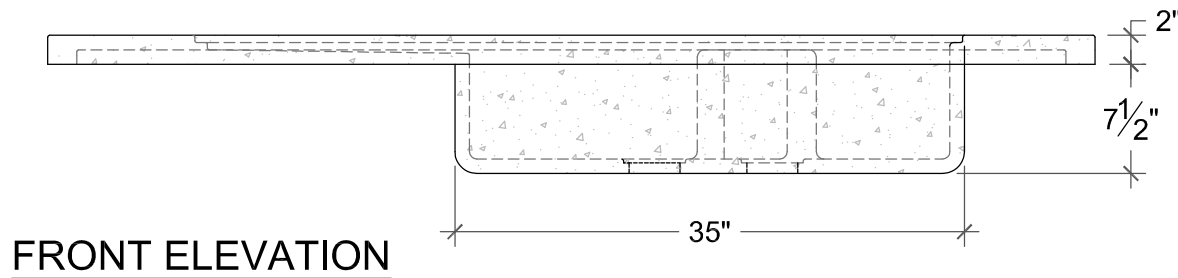
SONOMA CAST STONE CORPORATION
133 COPELAND STREET PETALUMA, CA 94952
707-283-1888
FAX 707-283-1899

CHF-L-S-72

VERSION 7/10



INTEGRAL SLOPED DRAIN AREA W/
STAINLESS INLAY BARS

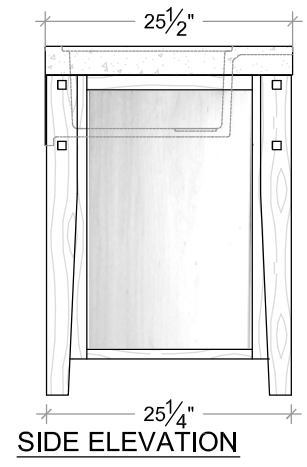
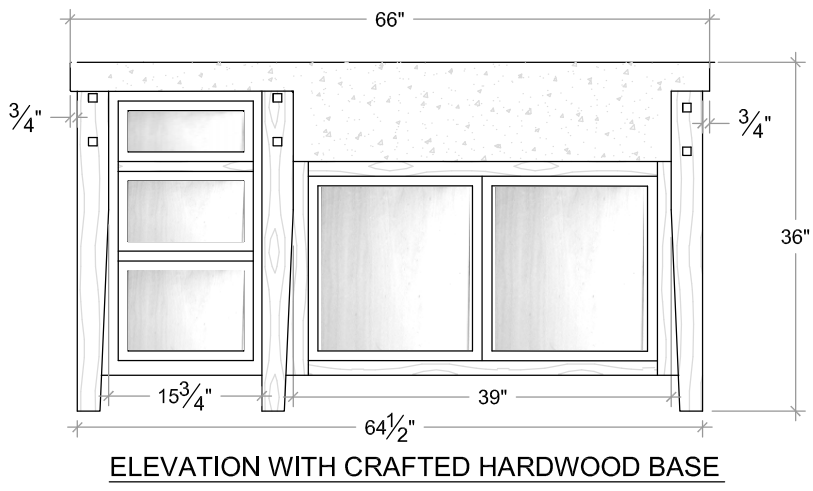
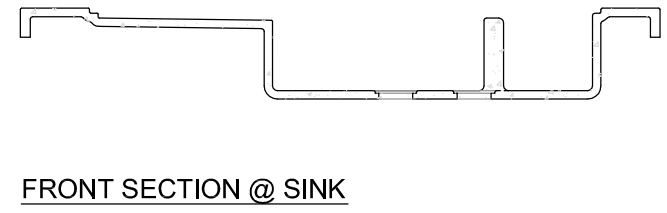
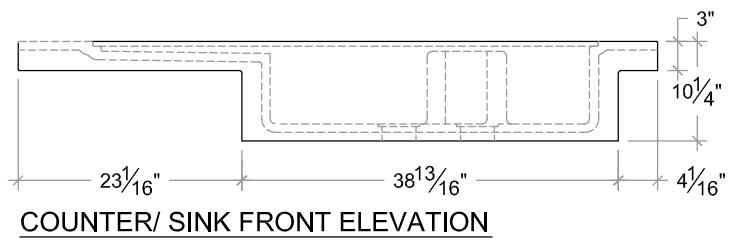
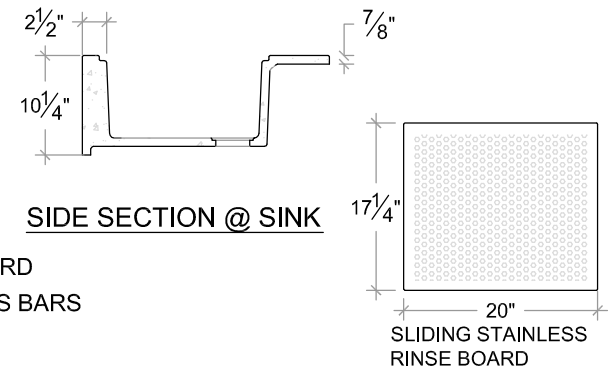
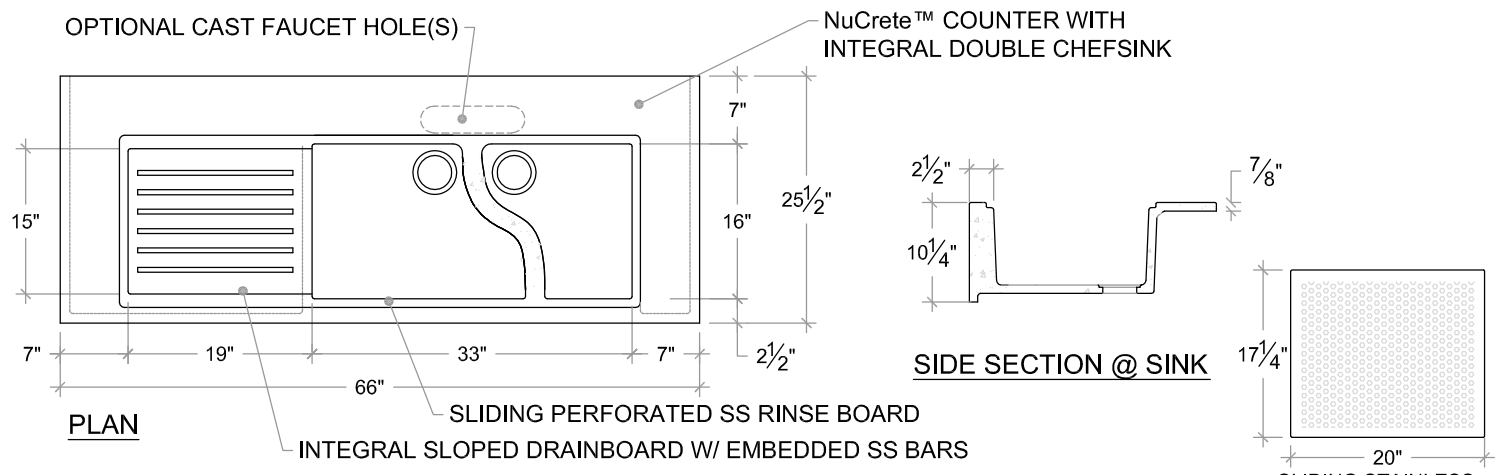




SONOMA CAST STONE CORPORATION
 133 COPELAND STREET PETALUMA, CA 94952
 707-283-1888
 FAX 707-283-1899

CHF-ISL-66

VERSION 7-10





SONOMA CAST STONE CORPORATION
 133 COPELAND STREET PETALUMA, CA 94952
 707-283-1888
 FAX 707-283-1899

CHF-ISLDW-76

VERSION 7-10

