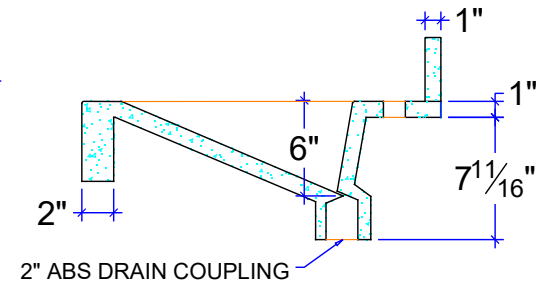
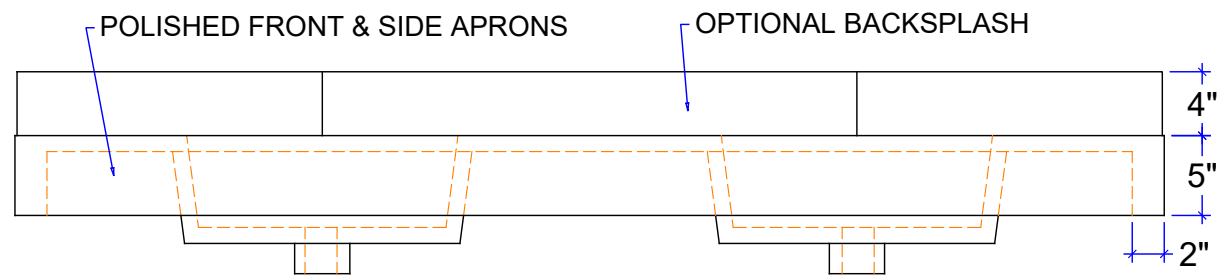


PLAN

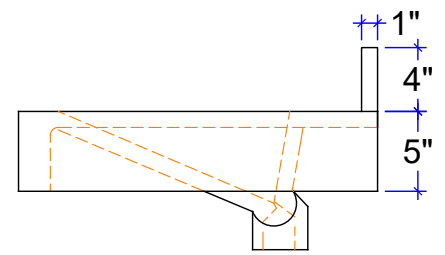
CAST COUNTER WITH 2 INTEGRAL RMP-1714-B RAMPSINKS



SECTION @ DRAIN

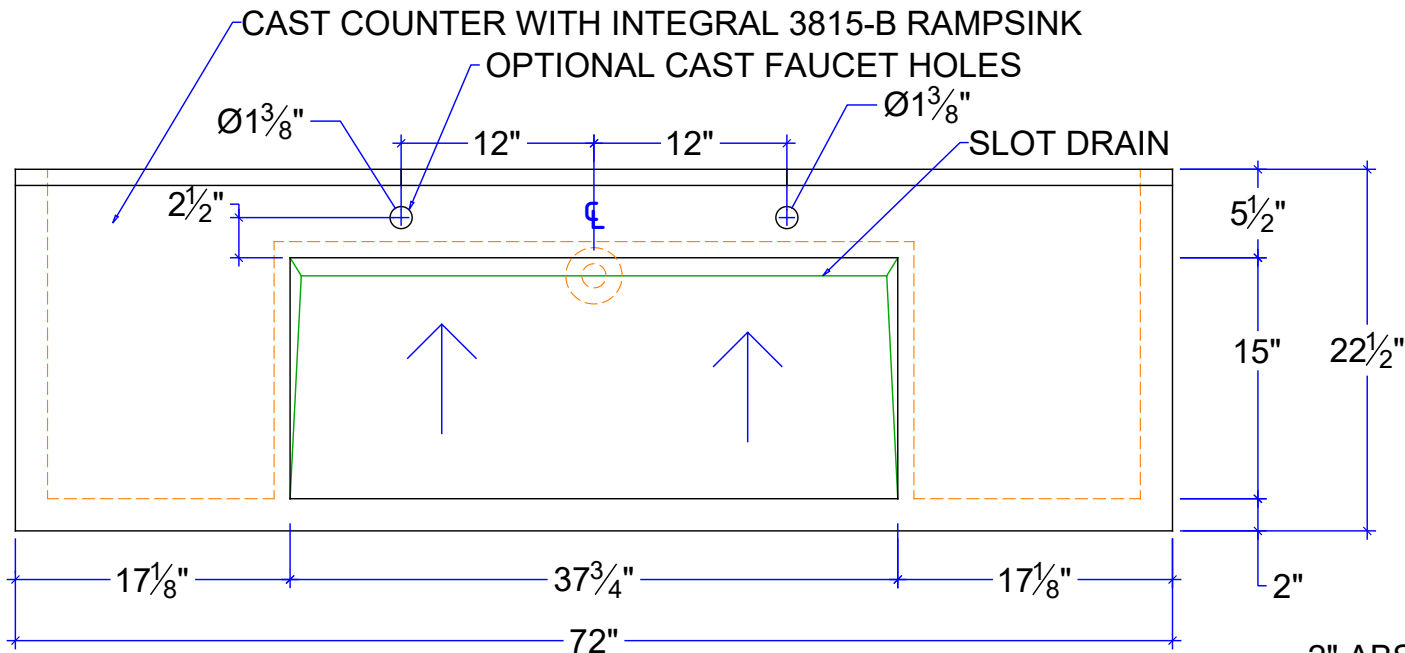


FRONT ELEVATION

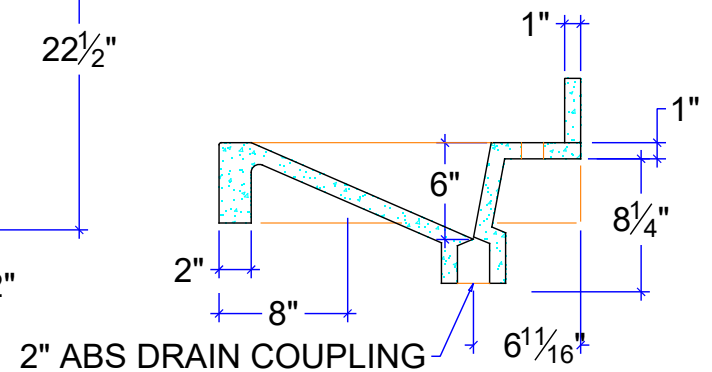


RIGHT ELEVATION

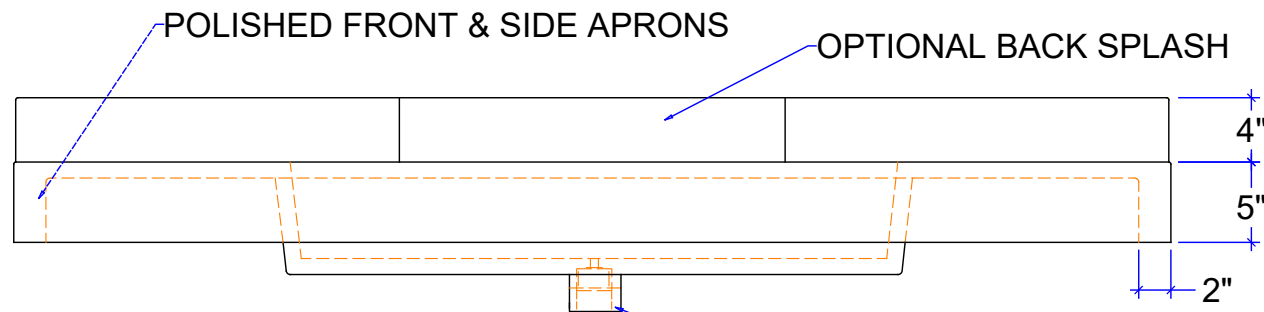
**RMP-RES-DBL**



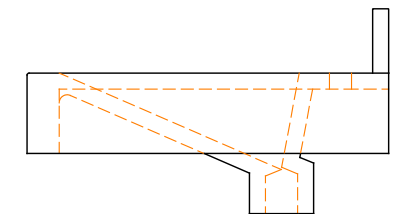
PLAN



SECTION @ DRAIN



FRONT ELEVATION



RIGHT ELEVATION