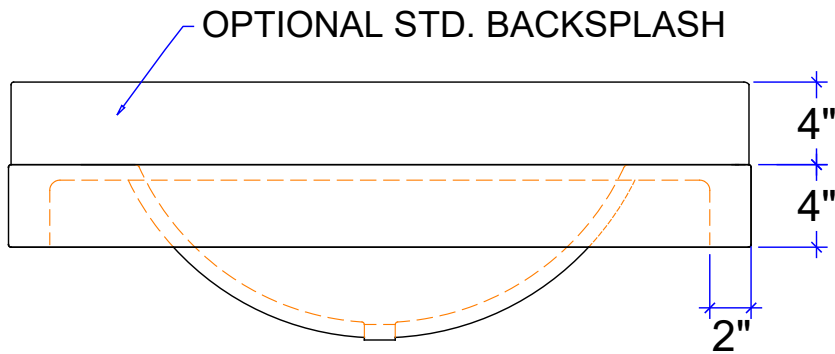
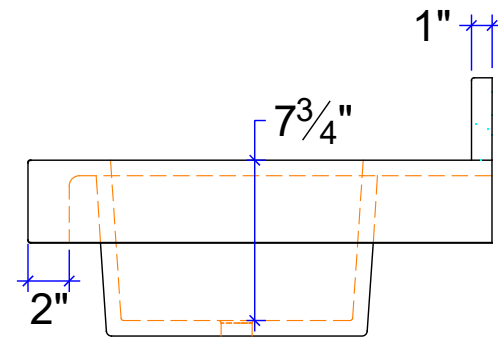


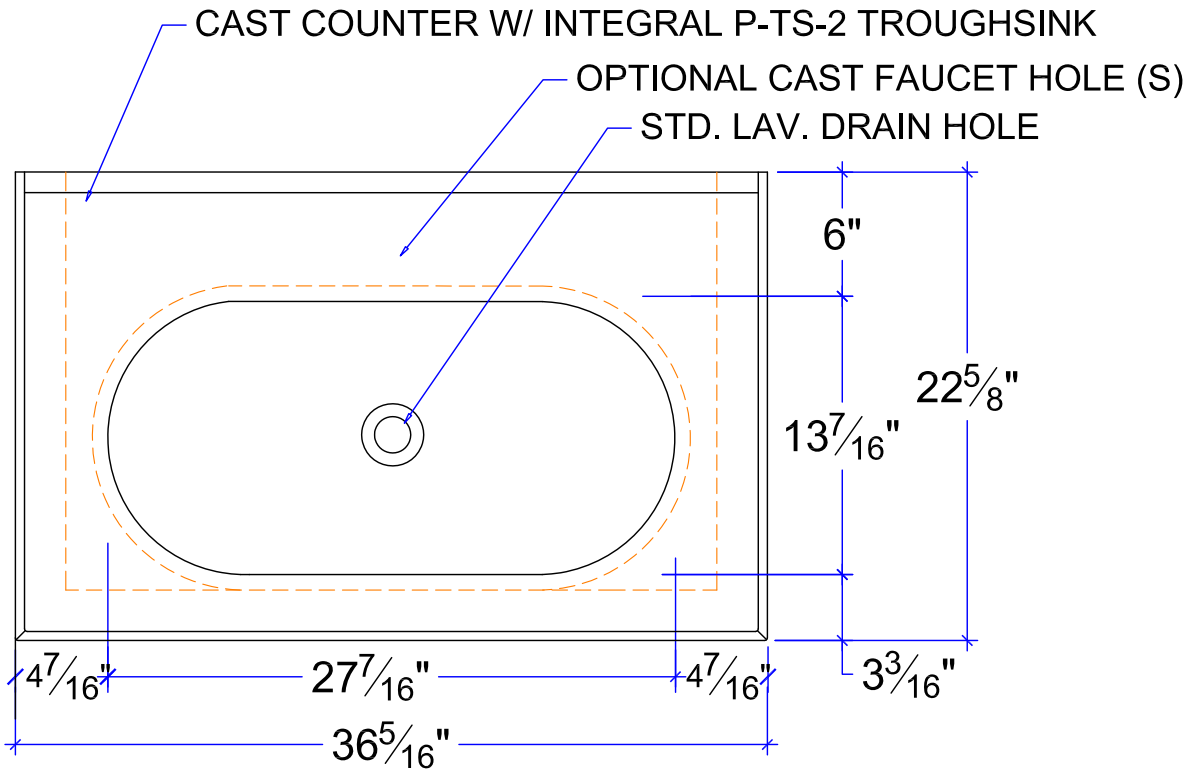
PLAN



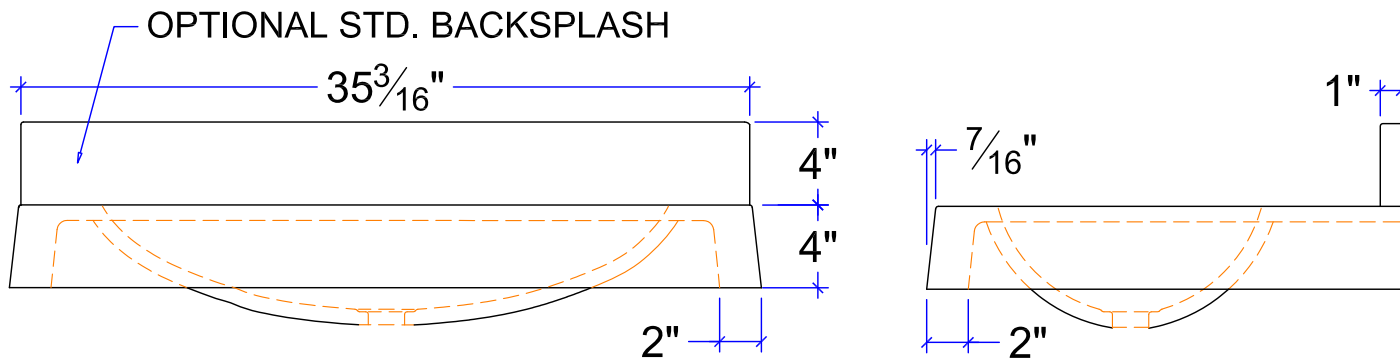
FRONT ELEVATION



RIGHT ELEVATION

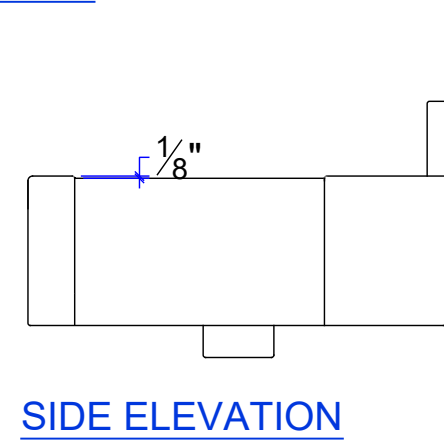
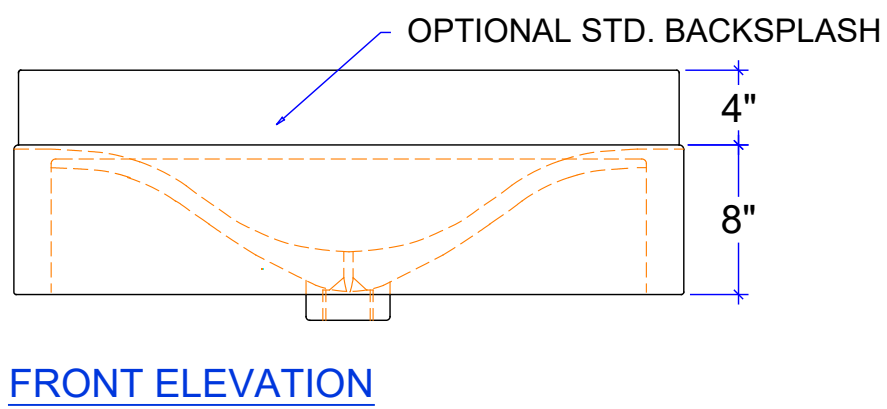
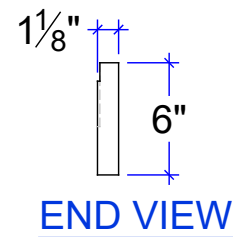
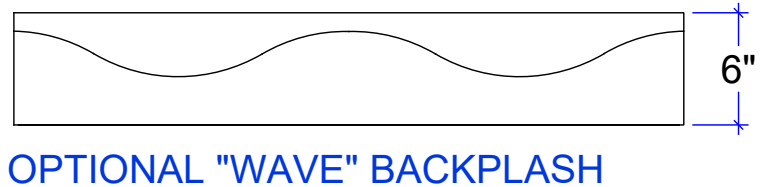
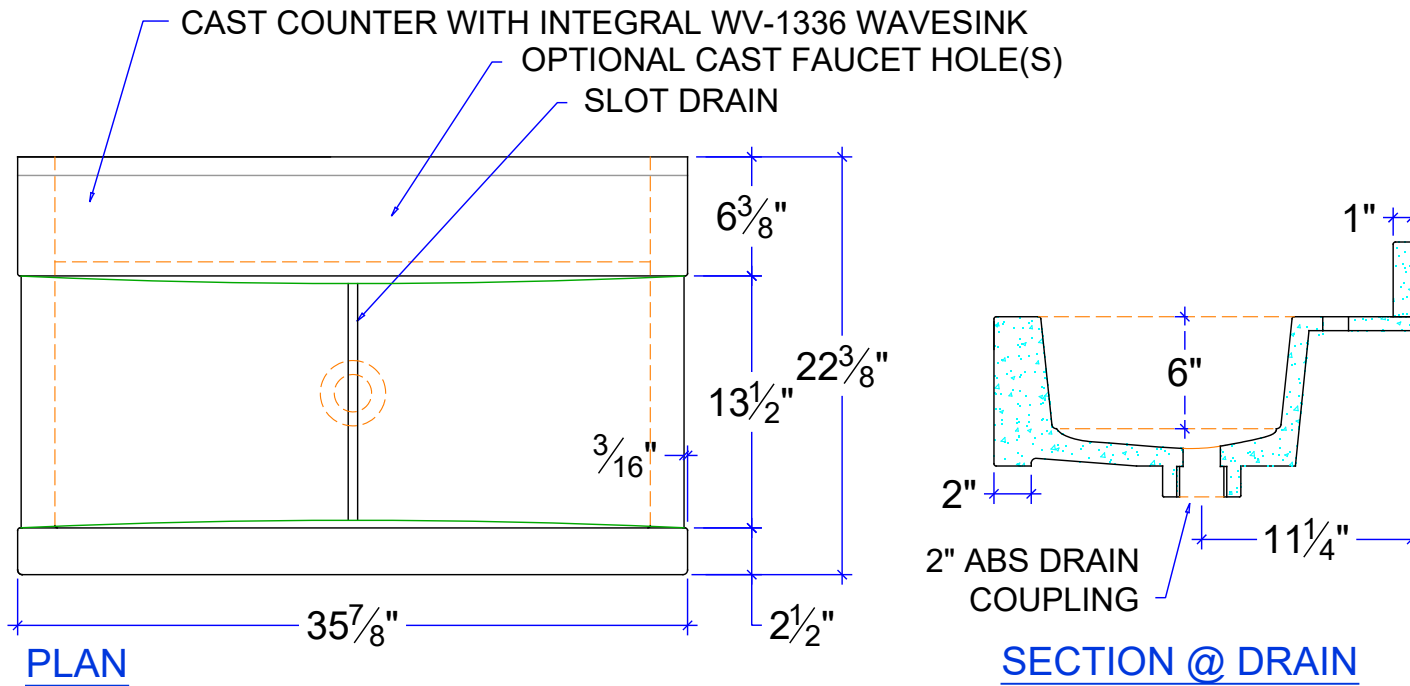


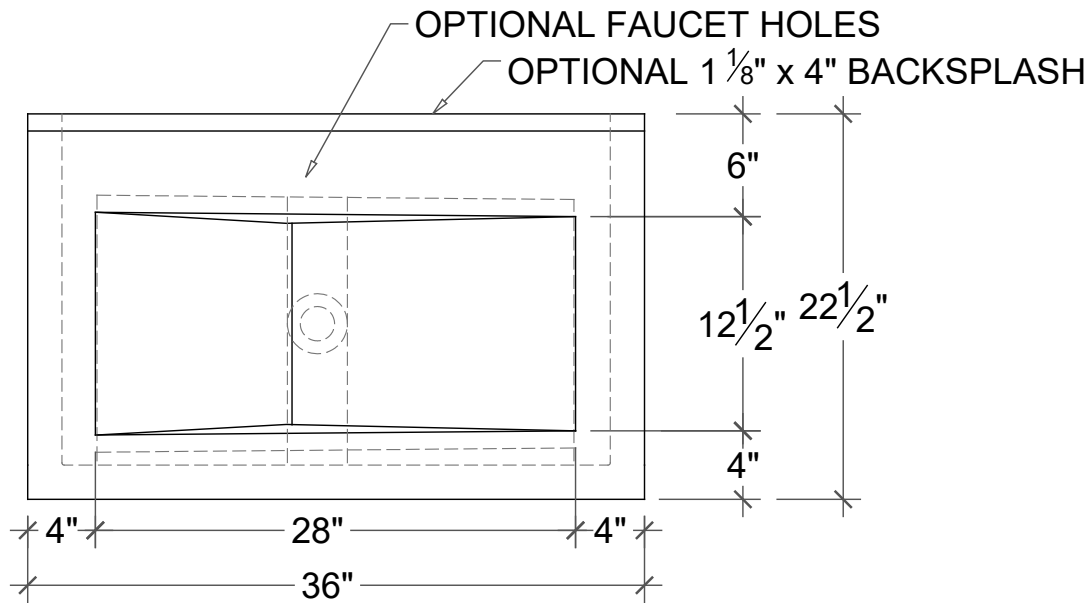
PLAN



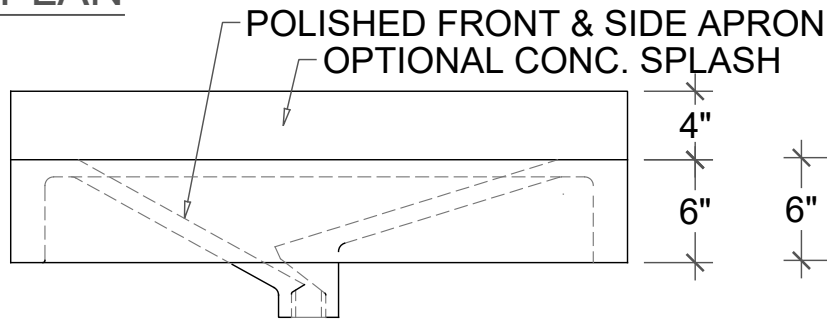
FRONT ELEVATION

RIGHT ELEVATION

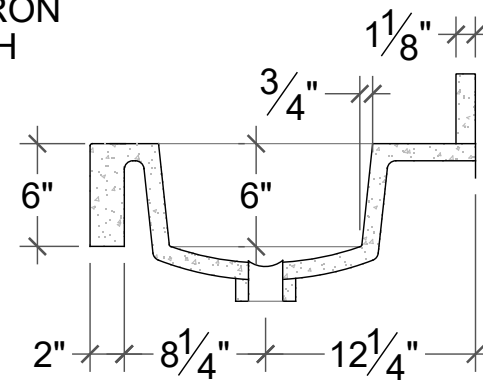




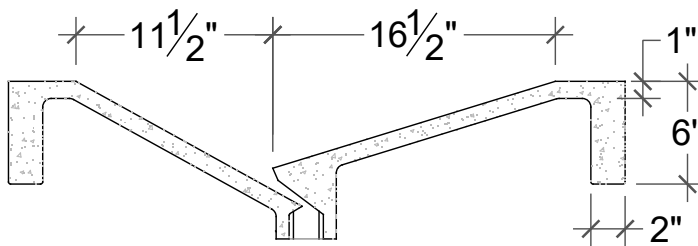
PLAN



FRONT ELEVATION



SIDE SECTION

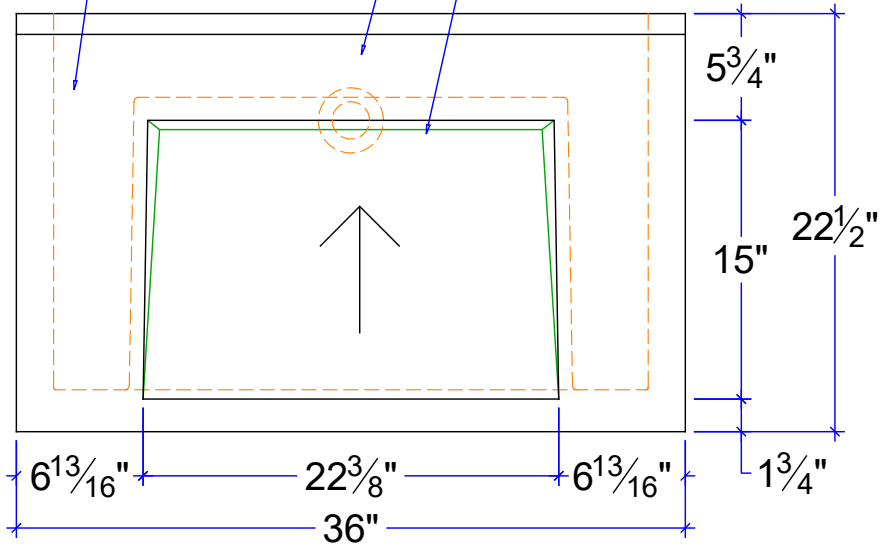


FRONT SECTION

CAST COUNTER W/ INTEGRAL RMP-2215-B RAMPSINK

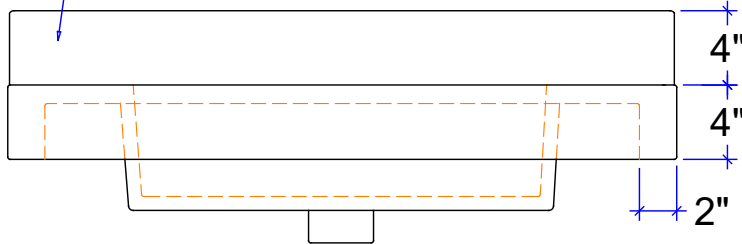
OPTIONAL CAST FAUCET HOLE(S)

SLOT DRAIN



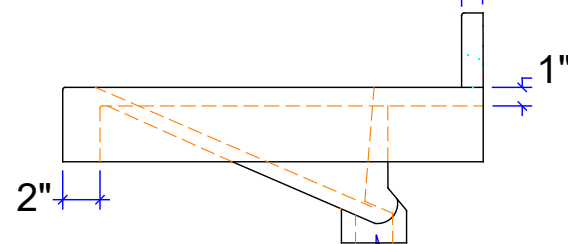
PLAN

OPTIONAL BACKSPLASH



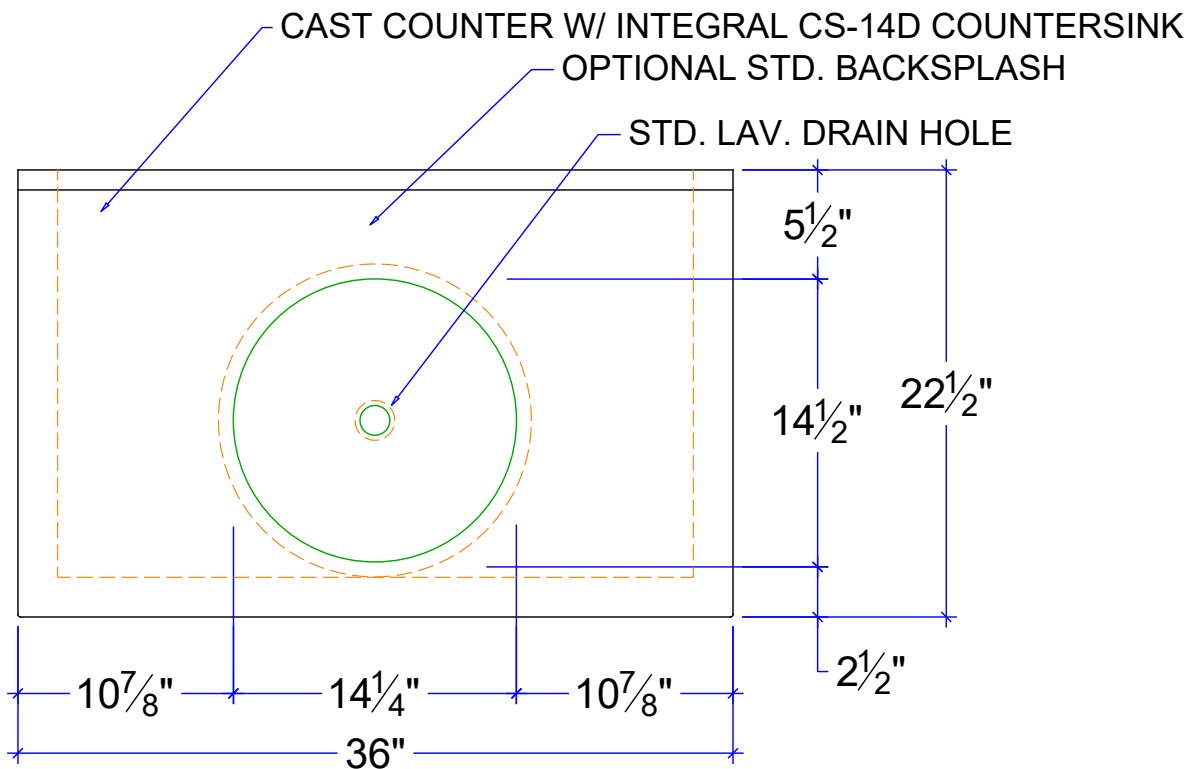
FRONT ELEVATION

1 1/8"

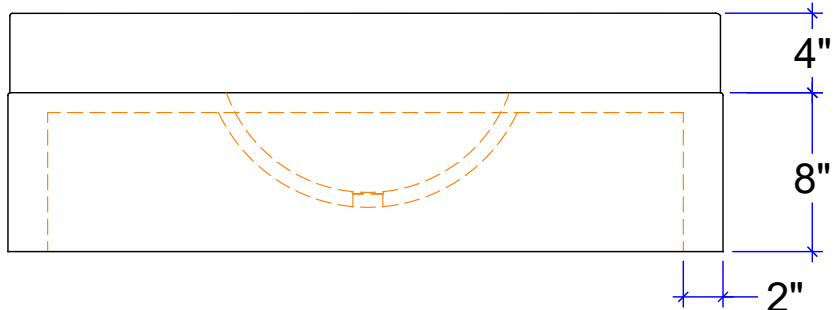


2" ABS DRAIN COUPLING

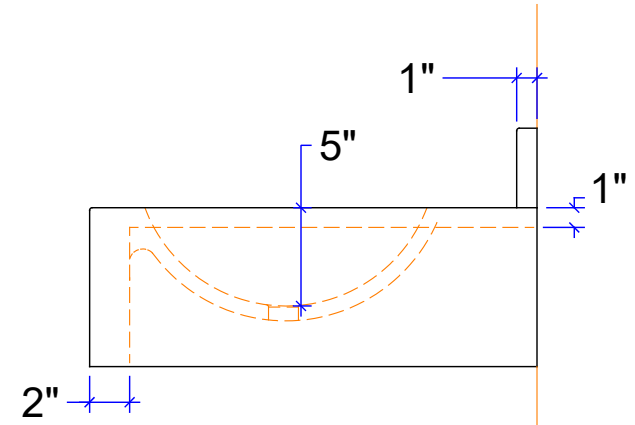
SIDE ELEVATION



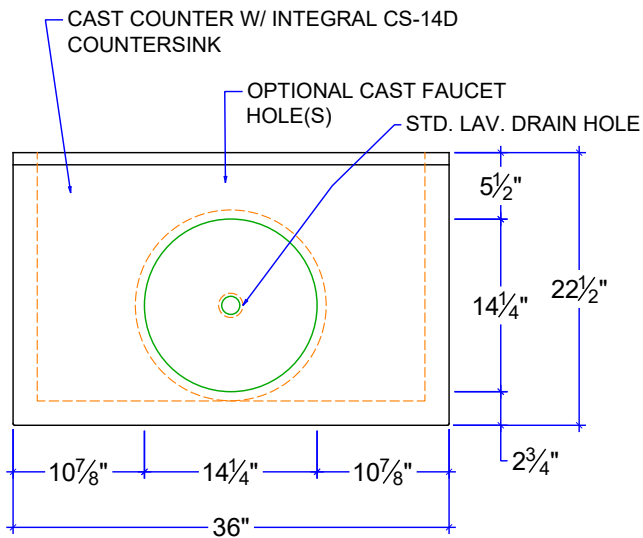
PLAN



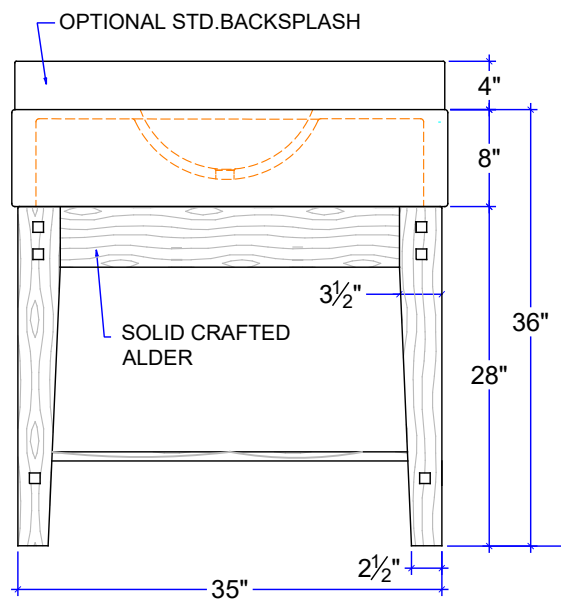
FRONT ELEVATION



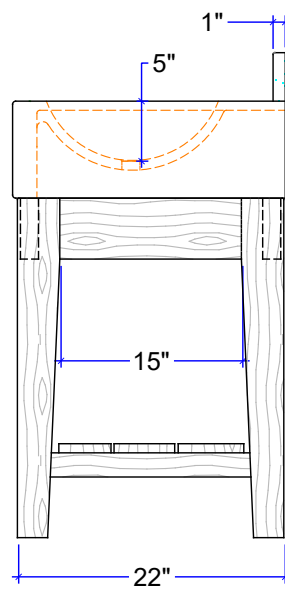
RIGHT ELEVATION



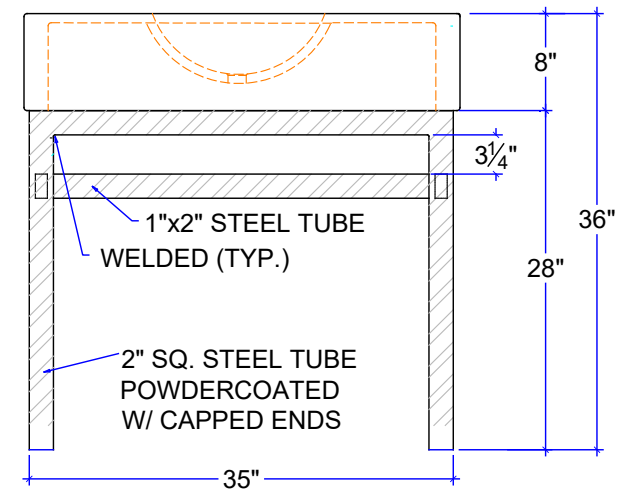
PLAN-VIEW



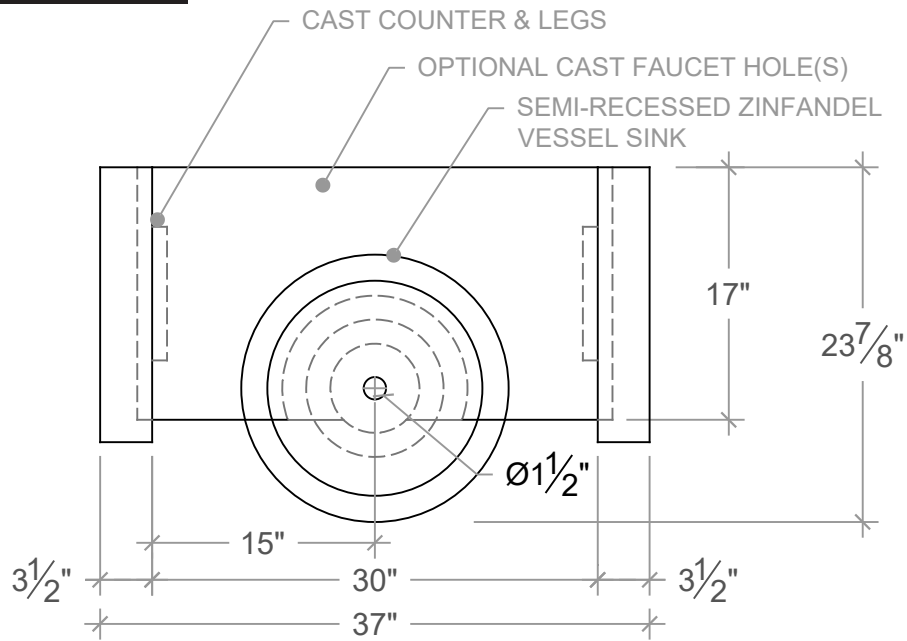
P-CS WITH OPTIONAL HARDWOOD STAND



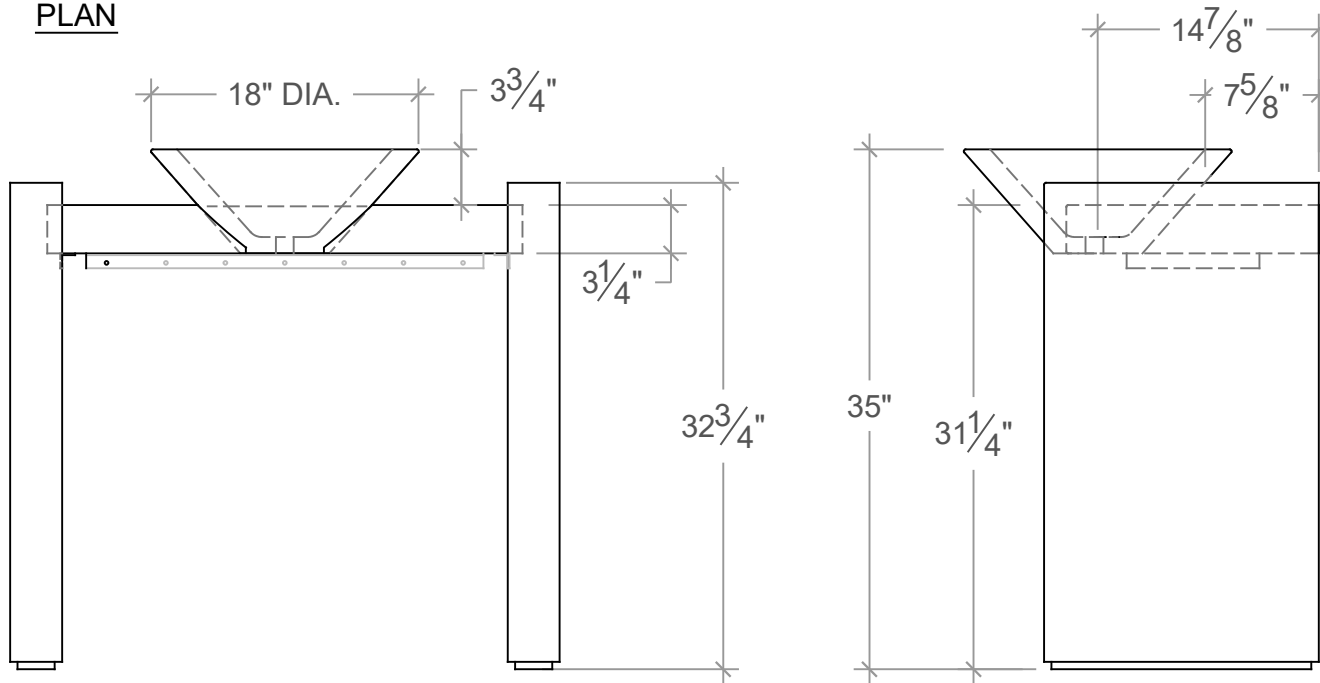
SIDE-ELEVATION



P-CS WITH OPTIONAL STEEL STAND



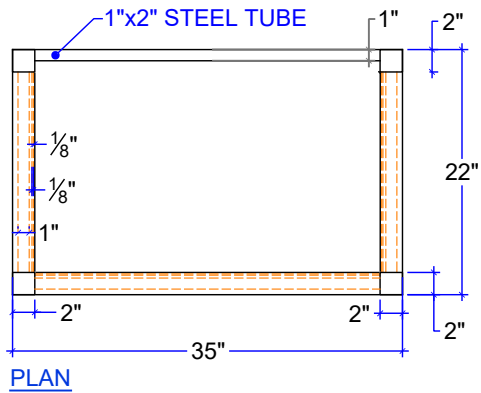
PLAN



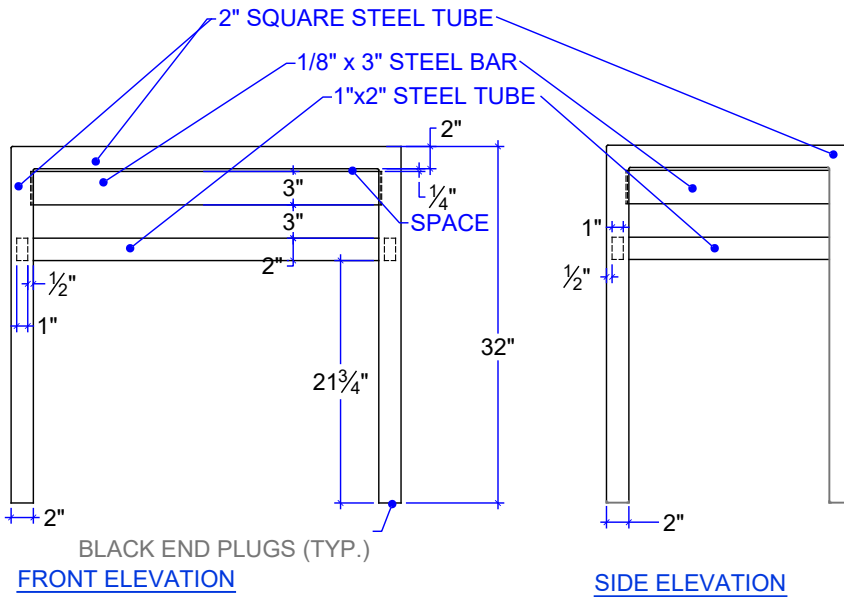
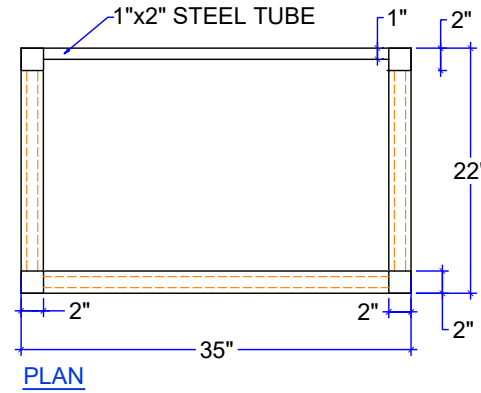
FRONT ELEVATION

SIDE ELEVATION

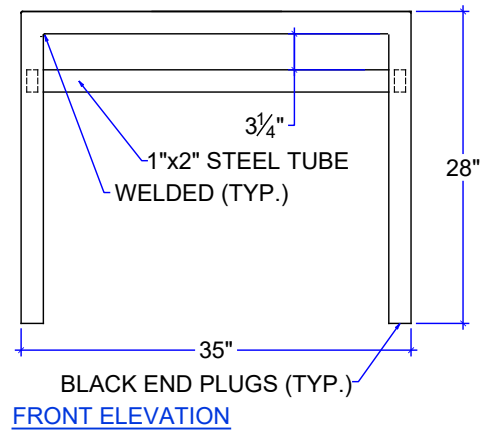




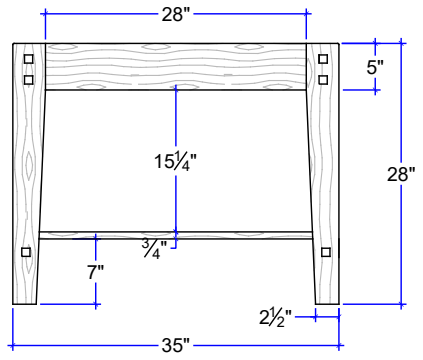
ALL: .120 WALL TUBE  
FULLY WELDED  
CONNECTIONS,  
FINISHED SMOOTH.  
FINISH: POWDER-COAT



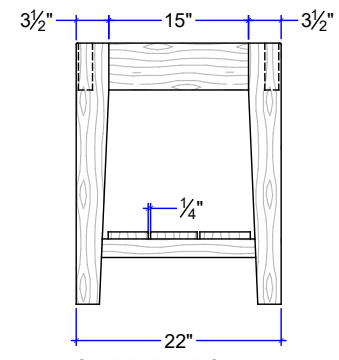
P-RMP STAND



P-WV STAND

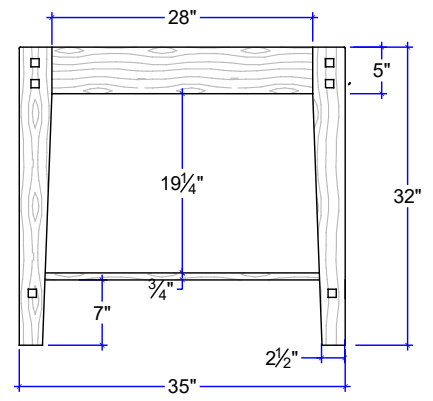


FRONT ELEVATION

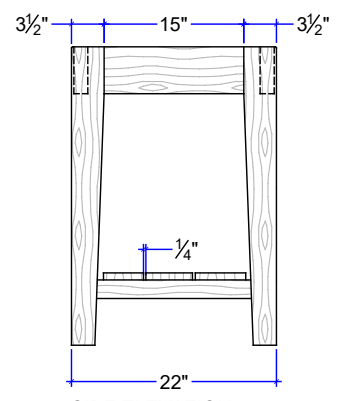


SIDE ELEVATION

P-COUNTERSINK & P-WAVE HARDWOOD STAND

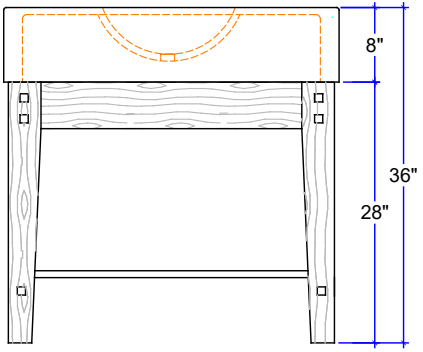


FRONT ELEVATION

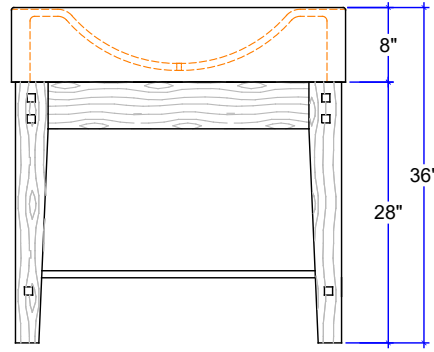


SIDE ELEVATION

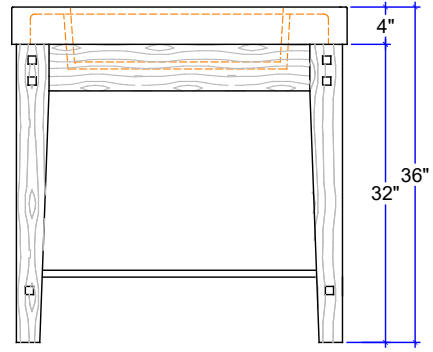
P-RAMP & P-TROUGH HARDWOOD STAND



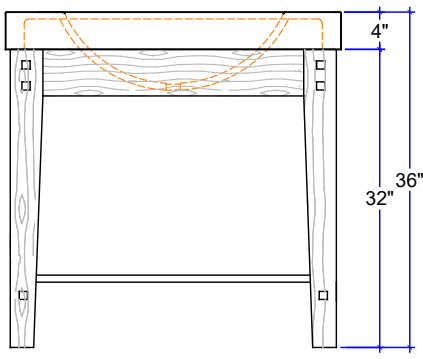
HARDWOOD STAND WITH P-COUNTERSINK



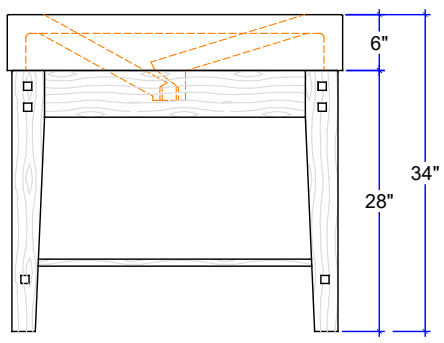
HARDWOOD STAND WITH P-WAVE



HARDWOOD STAND WITH P-RAMP



HARDWOOD STAND WITH P-TROUGH



HARDWOOD STAND WITH P-WATERFALL