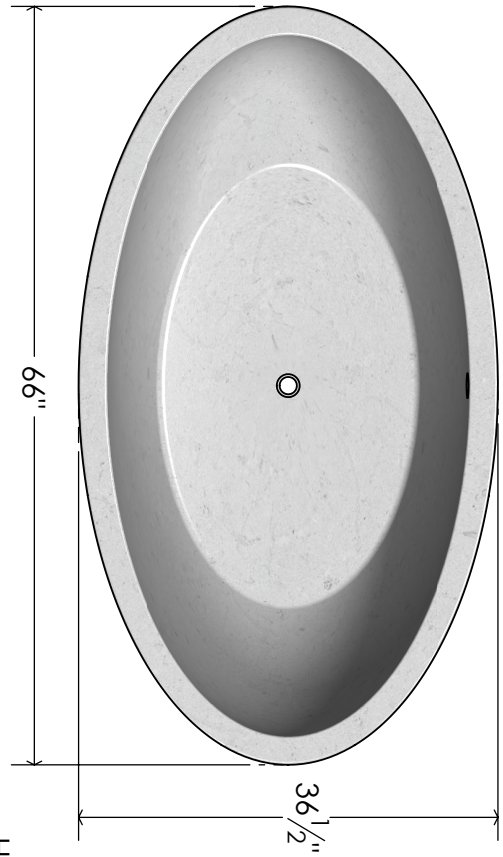




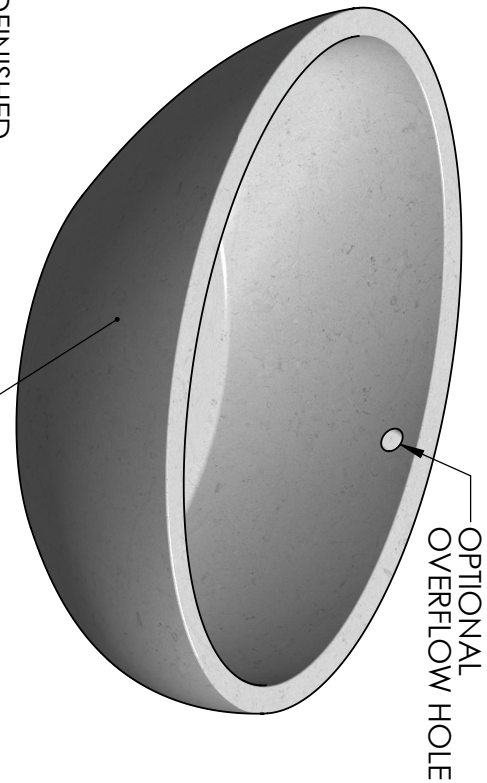
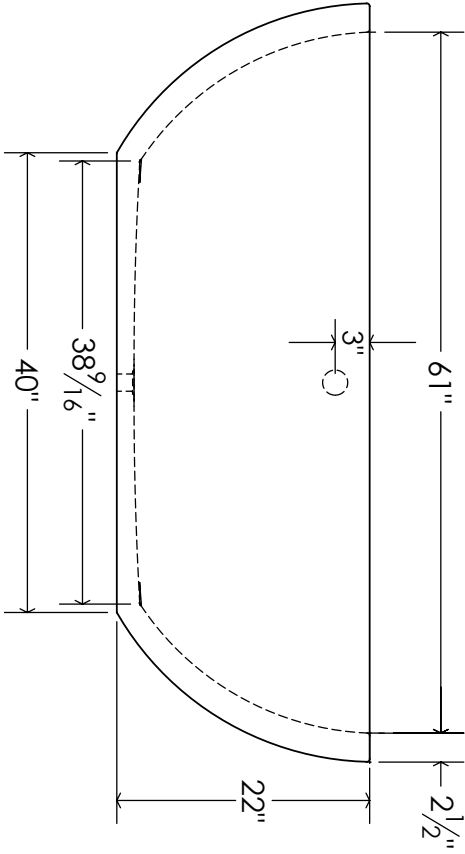
SONOMA CAST STONE
CONCRETE INNOVATIONS

OVAL SOAKING TUB

79 GALLONS

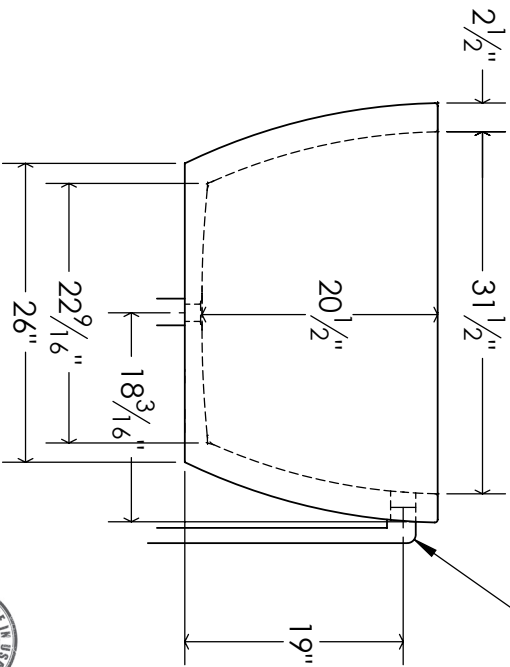


WEIGHT: 687LB EMPTY; 1,319LB FULL
CAPACITY: 79 GAL. TO OVERFLOW



HANDFINISHED
NATURAL EXTERIOR
-OPTIONAL METALCRETE FINISH-

OPTIONAL OVERFLOW
& DRAIN ASSEMBLY

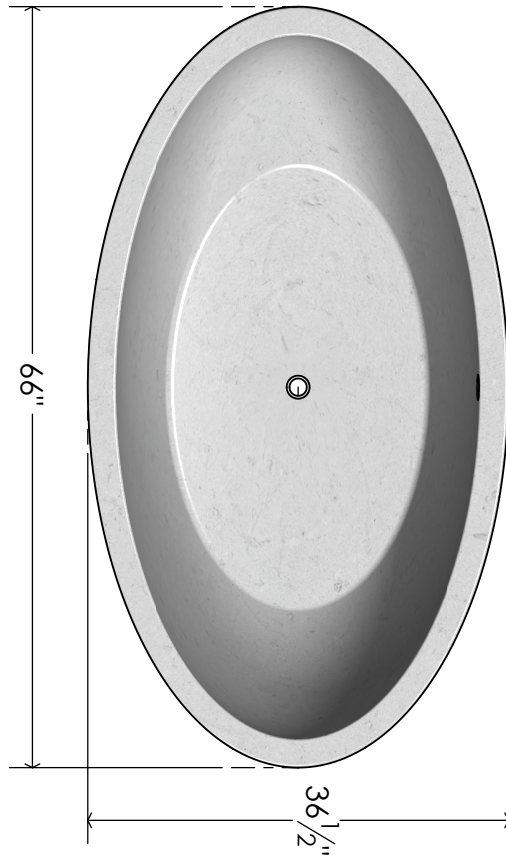




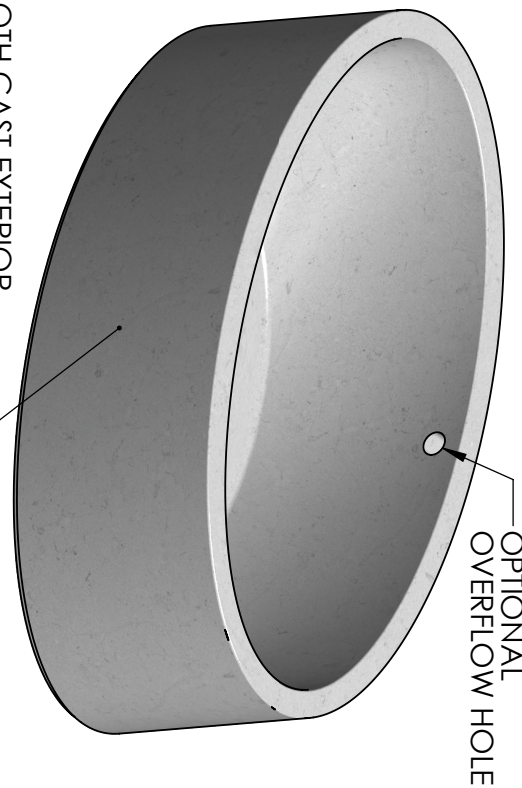
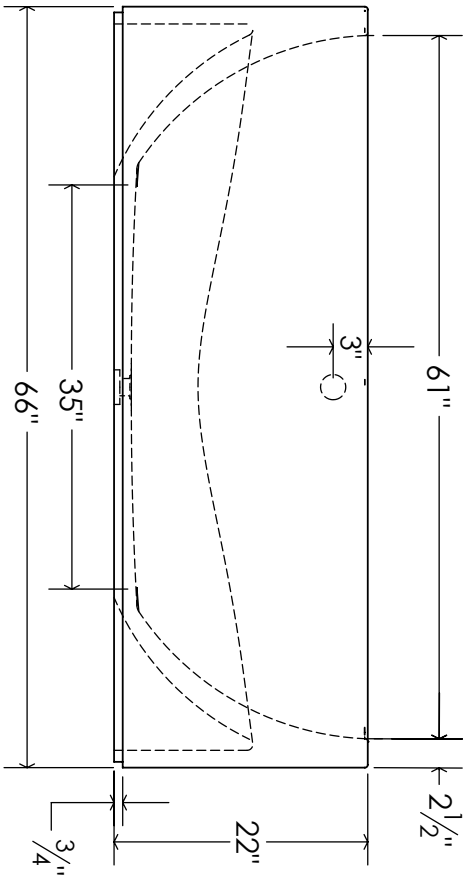
SONOMA CAST STONE
CONCRETE INNOVATIONS

OVAL SOAKING TUB

79 GALLONS

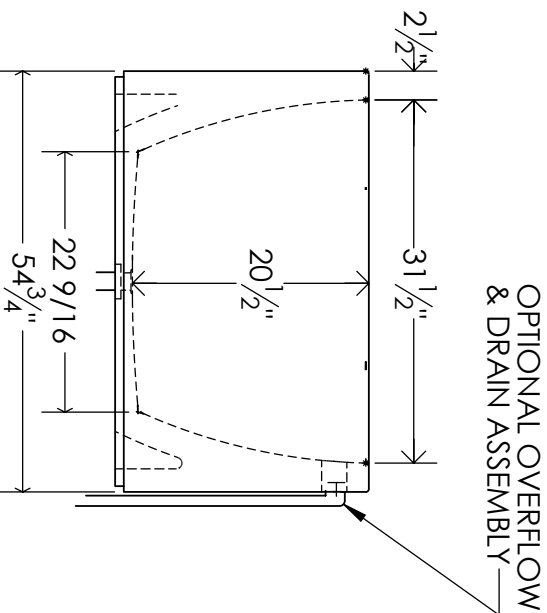


WEIGHT: 967LB EMPTY; 1,599LB FULL
CAPACITY: 74 GAL. TO OVERFLOW



SMOOTH CAST EXTERIOR
-OPTIONAL METALCRETE FINISH-

OPTIONAL
OVERFLOW HOLE



OPTIONAL OVERFLOW
& DRAIN ASSEMBLY





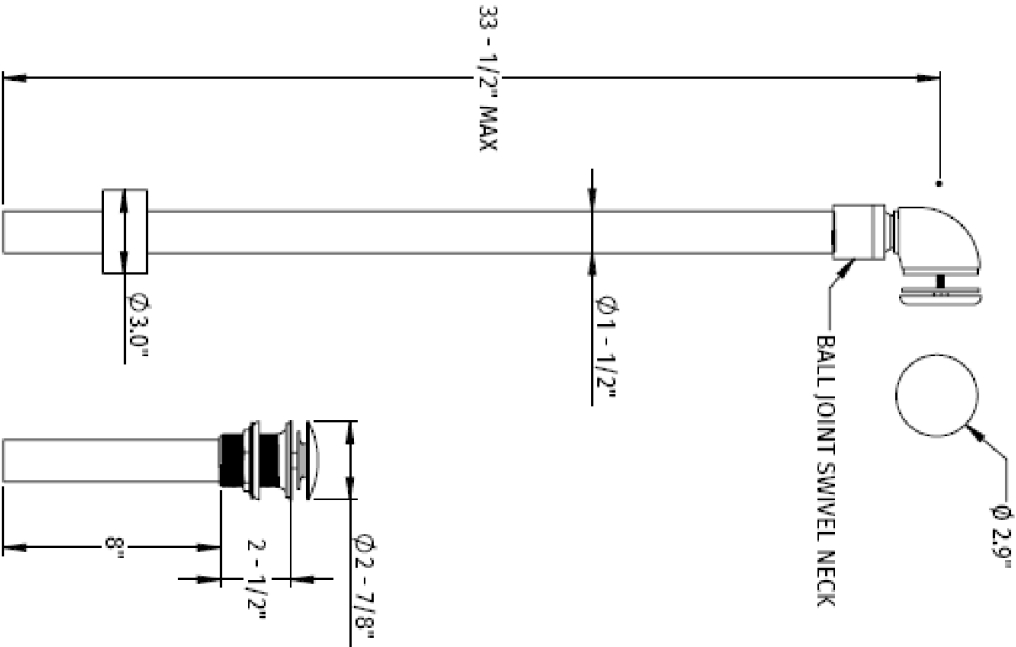
OVAL SOAKING TUB

79 GALLONS

FULLY PLATED BRASS WASTE & OVERFLOW SPECIFICATIONS

STANDARD FINISHES

- BRN – BRUSHED NICKEL
- CHBRZ – CHAMPAGNE BRONZE
- CPB – POLISHED CHROME
- MB – MATTE BLACK
- PN – POLISHED NICKEL



- ALL BRASS FITTINGS AND 17 GAUGE TUBE
- FULLY POLISHED AND PLATED FOR EXPOSED APPLICATIONS
- PIPE LENGTH CAN BE CUT TO FIT TUB ***TEST FIT BEFORE CUTTING***
- CONTEMPORARY STYLING WITH EZ CLICK™ DRAIN
- SWIVELING OVERFLOW NECK ADJUSTS TO FIT BATHTUB WALL
- 1 1/2" O.D. BRASS TAILPIECE
- FOR USE WITH 2" DRAIN AND OVERFLOW OPENINGS

