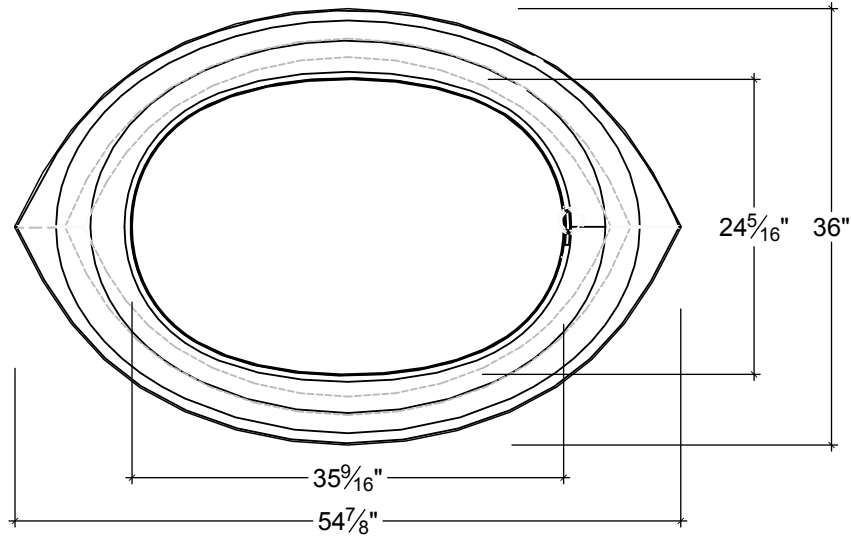


OFURO SOAKING TUB

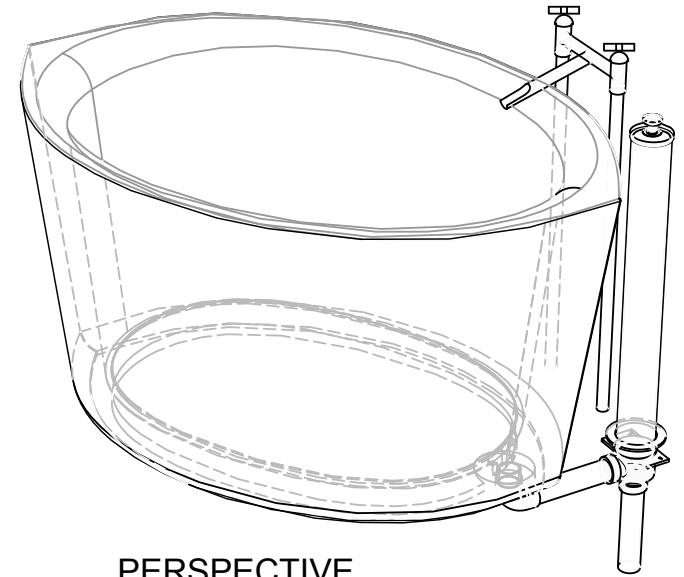
70 GALLONS

SONOMA CAST STONE
CONCRETE INNOVATIONS



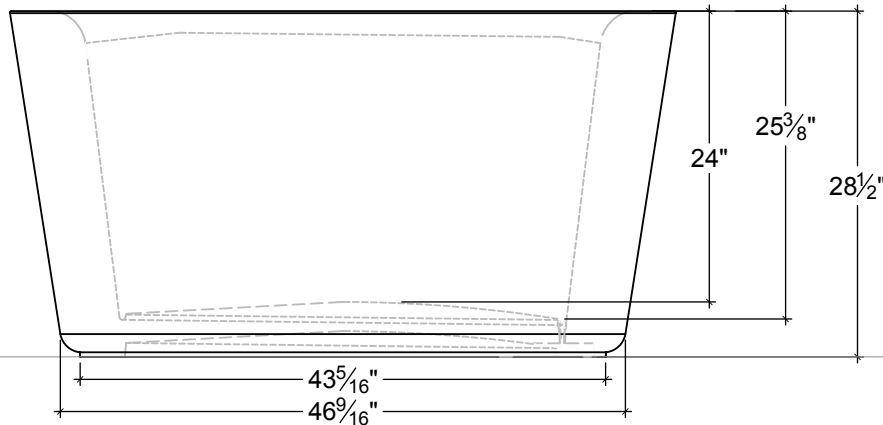
PLAN

CAPACITY: 70 GALLONS
APPROXIMATE DRY WEIGHT: 1,100LB
FILLED WEIGHT: 1,660LB

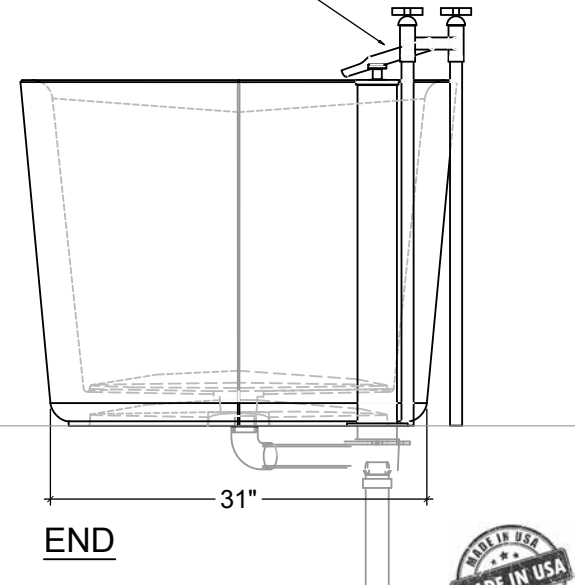


PERSPECTIVE

FAUCET & OVERFLOW/ DRAIN
OPTIONAL BY SONOMA FORGE
WWW.SONOMAFORGE.COM



ELEVATION



END

