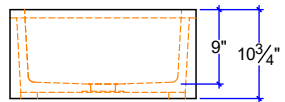
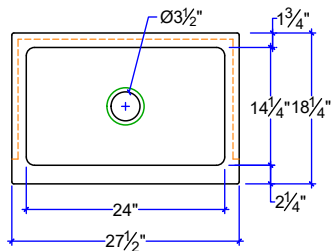


PLAN

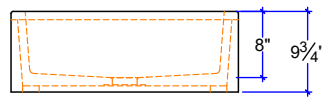


FRONT ELEVATION

FS-1619

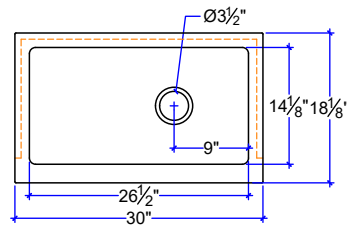


PLAN

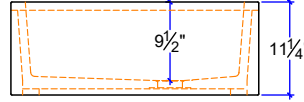


FRONT ELEVATION

FS-1424

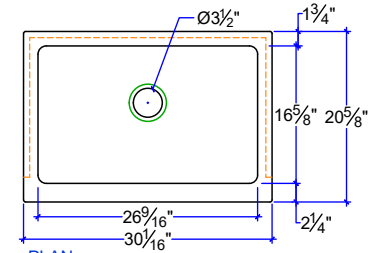


PLAN

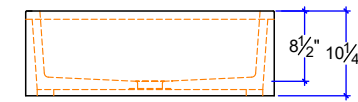


FRONT ELEVATION

FS-1430- LEFT OR RIGHT

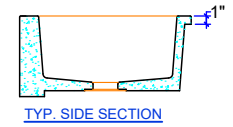


PLAN

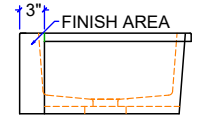


FRONT ELEVATION

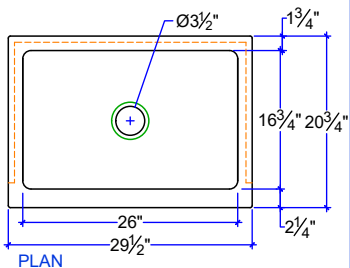
FS-1626



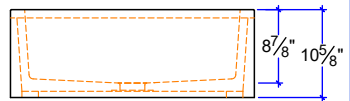
TYP. SIDE SECTION



TYP. RIGHT ELEVATION

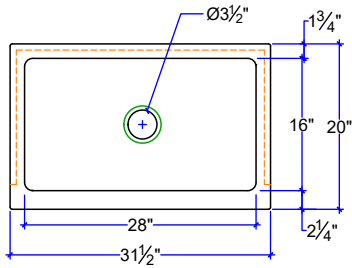


PLAN



FRONT ELEVATION

FS-1726

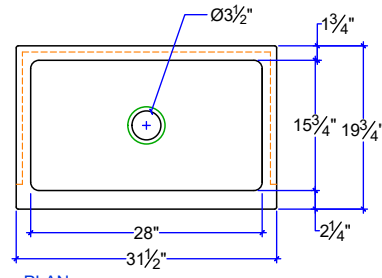


PLAN

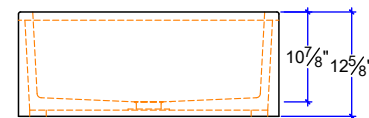


FRONT ELEVATION

FS-1628-8

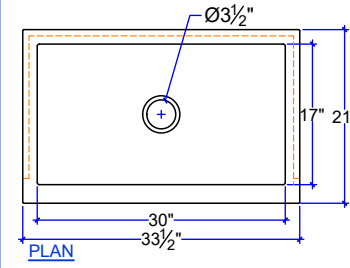


PLAN

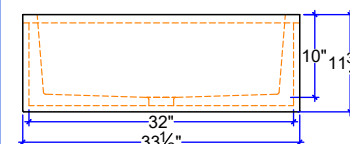


FRONT ELEVATION

FS-1628-10

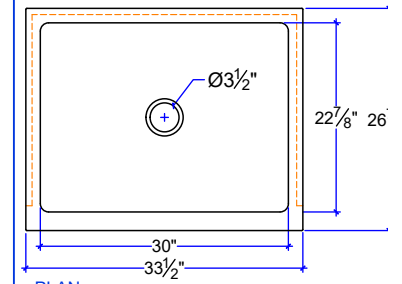


PLAN



FRONT ELEVATION

FS-1730-10

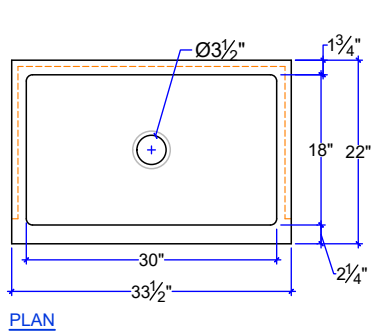


PLAN

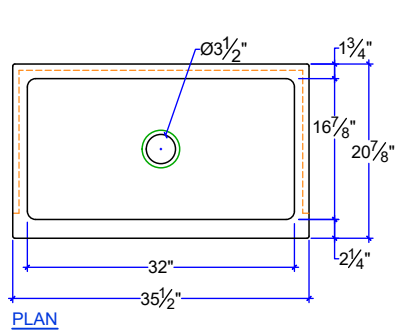


FRONT ELEVATION

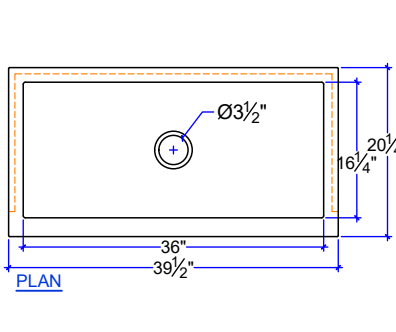
FS-2330



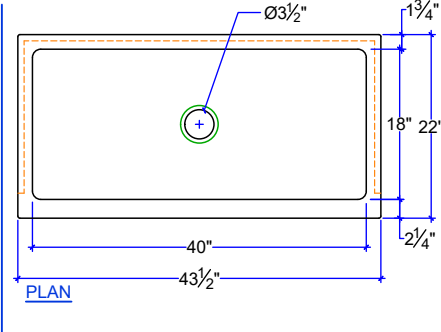
FS-1830



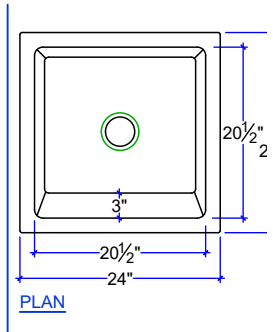
FS-1732



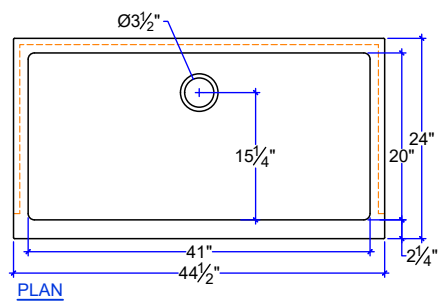
FS-1636-10



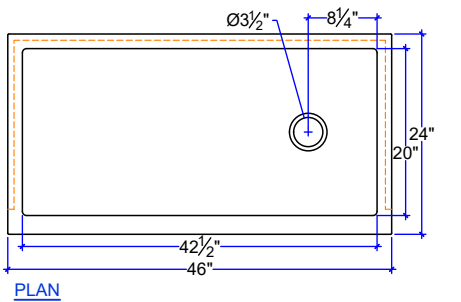
FS-1840



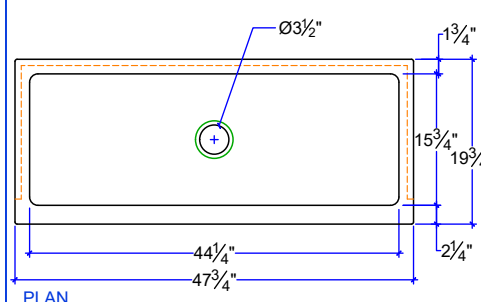
FS-2020 (LAUNDRY)



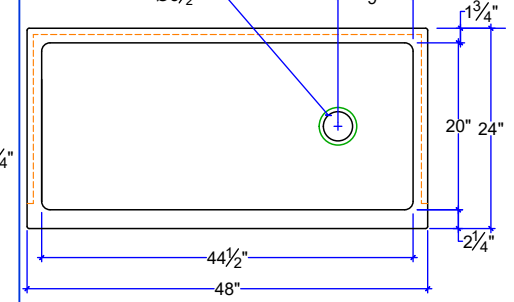
FS-2041



KS-2043 LEFT OR RIGHT DRAIN



FS-1644



FS-2044- LEFT OR RIGHT DRAIN