

REAR SLOPING MODELS

MODEL #	LENGTH	WIDTH	DEPTH	FAUCETS
RMP-1015-B	9 3/4"	15"	5 3/4"	1
RMP-1018-B	10"	18"	6"	1
RMP-1115-B*	11"	15"	6"	1
RMP-1212-B	12"	12"	4 1/2"	1
RMP-1514-B	14 1/2"	13 1/2"	6"	1
RMP-1518-B	15"	18"	5 3/4"	1
RMP-1612-B	16"	12"	5"	1
RMP-1614-B*	16"	14"	5 3/4"	1
RMP-1714-B*	17"	14"	5 3/4"	1
RMP-1817-B*	18 1/8"	17"	6 1/2"	1
RMP-1915-B*	19"	15"	6"	1
RMP-2010-B*	20"	10"	5 1/2"	1
RMP-2215-B*	22 1/2"	15"	6"	1
RMP-2412-B	24"	12"	6"	1
RMP-2415-B*	24"	14 3/4"	5"	1
RMP-2915-B	29 3/4"	15"	6 3/4"	1
RMP-3615-B*	36 3/8"	15 1/4"	6 1/8"	1-2
RMP-3815-B	38"	15"	6"	2
RMP-4015-B	40"	15"	6"	2
RMP-4413-B*	44 3/8"	13 1/2"	6"	2
RMP-4715-B*	47 1/4"	15"	6 3/8"	2
RMP-5215-B*	52"	15"	6 3/4"	2
RMP-5415-B*	53 5/8"	15 1/8"	6"	2
RMP-6516-B*	65"	16"	6 3/4"	2-3
RMP-6612-B* °	66"	12"	5 1/4"	2-3
RMP-6810-B	67 7/8"	10"	5 1/2"	2-3
RMP-6812-B	67 7/8"	12"	5 1/2"	2-3
RMP-7115-B °	71 1/2"	15"	6 3/4"	2-3
RMP-7315-B °	73"	15"	6 3/4"	3-4
RMP-7412-B* °	74"	12"	5 1/4"	3-4
RMP-8115-B °	81 1/2"	15 1/2"	7"	3-4
RMP-9015-B * °	89 3/4"	15"	5 5/8"	3-4

* Available as multi-sink vanities.

° Two drain outlets on these models.



SONOMA CAST STONE
CONCRETE INNOVATIONS

SONOMA CAST STONE / 877.283.2400

RAMPSINK SIZES

Visit www.sonomastone.com to see photos.
Designs ©2013 Sonoma Cast Stone Corp. All rights reserved.

SIDE SLOPING MODELS

MODEL #	LENGTH	WIDTH	DEPTH	FAUCETS	SLOPES TO
RMP-1416-R/L	14"	16"	5 3/4"	1	Right or Left
RMP-1417-R/L*	14"	17"	5 3/4"	1	Right or Left
RMP-1510-R/L	15"	9 3/4"	5 3/4"	1	Right or Left
RMP-1519-R/L*	15"	19"	6"	1	Right or Left
RMP-1718-R/L*	17"	18 1/8"	6 1/2"	1	Right or Left
RMP-1810-R/L	18"	10"	6"	1	Right or Left
RMP-1815-R/L	18"	15"	5 3/4"	1	Right or Left
RMP-2310-R/L	23"	10"	4 1/2"	1	Right or Left
RMP-2809-R/L	28"	9 1/4"	6"	1	Right or Left
RMP-3014-R/L	30"	14 1/8"	6 1/8"	1	Right or Left
RMP-3021-R-SK	30 1/4"	21 1/2"-10 5/8"	6"	1	Right End
RMP-3021-L-SK	30 1/4"	21 1/2"-10 5/8"	6"	1	Left End
RMP-3314-R/L	33"	14"	6 1/4"	1	Right or Left
RMP-3614-R/L	36"	14"	6 1/2"	1	Right or Left
RMP-4013-R/L	40"	13"	6 1/4"	1	Right or Left
RMP-4114-R/L	41 3/8"	14 1/2"	6 1/4"	1	Right or Left
RMP-4612-R/L	46 1/4"	12"	4"	1	Right or Left
RMP-4616-R/L	46"	16 5/8"	6 1/2"	1	Right or Left
RMP-5512-R/L	55"	12"	6"	1	Right or Left

CENTER SLOPING MODELS

MODEL #	LENGTH	WIDTH	DEPTH	FAUCETS	SLOPES TO
RMP-1410-M	14 1/4"	10 1/2"	4 1/4"	1	CENTER
RMP-1612-M	15 1/2"	11 3/4"	5"	1	CENTER
WF-2813-M	28"	13"	6"	1	OFF-CENTER
RMP-3313-M	33"	13"	9 1/2"	1	OFF-CENTER
RMP-4844-M	48"	44 1/4"	6"	2	CENTER
RMP-6217-M	62 5/8"	17 7/8"	5 1/2"	2	CENTER

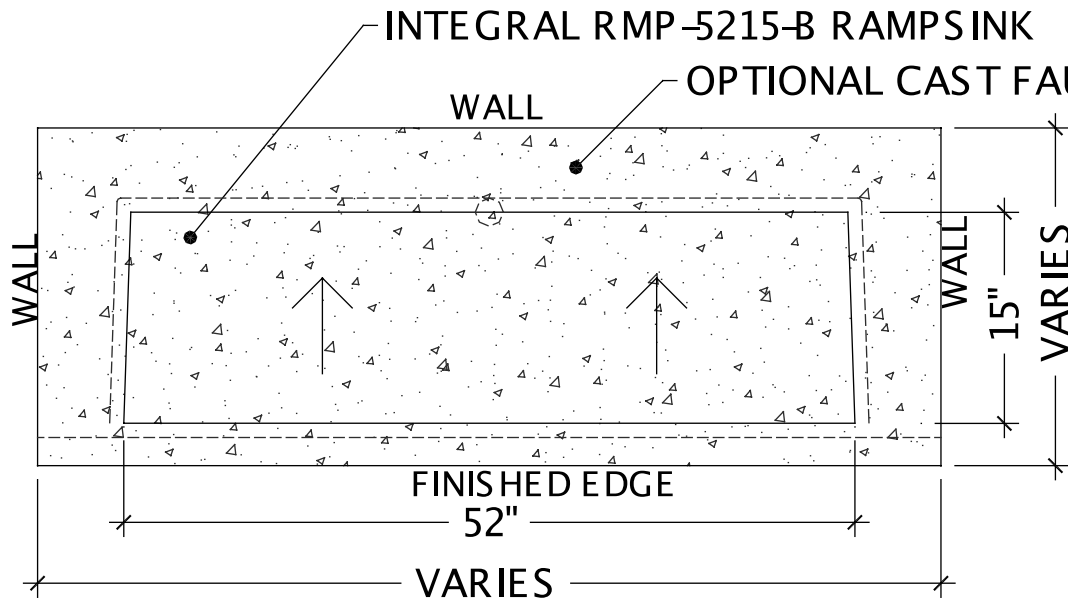


SONOMA CAST STONE / 877.283.2400

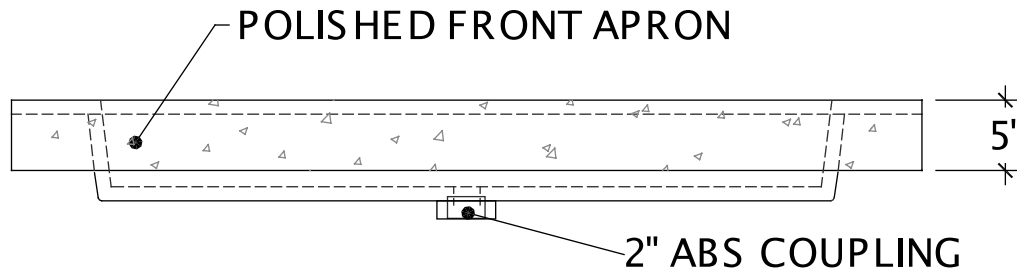
COMMERCIAL BATH PRODUCTS

Visit www.sonomastone.com to see photos.
Designs ©2009 Sonoma Cast Stone Corp. All rights reserved.

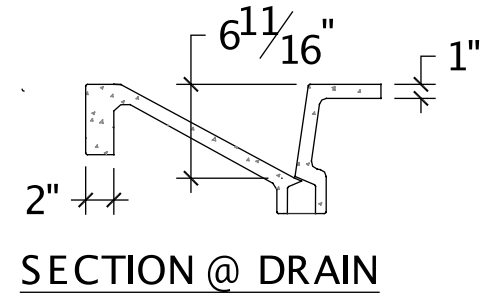
MODEL: RAMP - COMMERCIAL - EXAMPLE DBLWIDE - 5215B



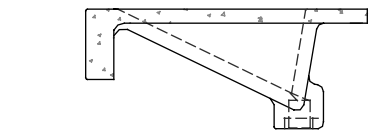
PLAN



FRONT ELEVATION



SECTION @ DRAIN



RIGHT ELEVATION



SONOMA CAST STONE / 877.283.2400

COMMERCIAL BATH PRODUCTS

Visit www.sonomastone.com to see photos.
Designs ©2009 Sonoma Cast Stone Corp. All rights reserved.

MODEL: RAMP - COMMERCIAL - EXAMPLE MULTIPLES - 1714 X 2

