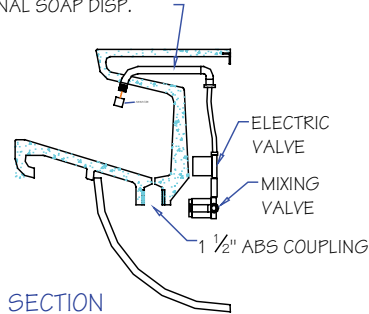
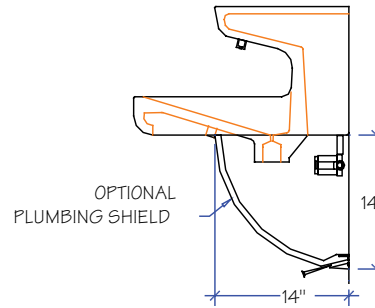


FLITE 201 RESTROOM SINK

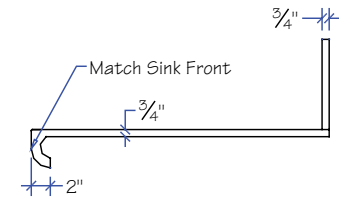
CAST-IN CUSTOM SPOUT
& OPTIONAL SOAP DISP.



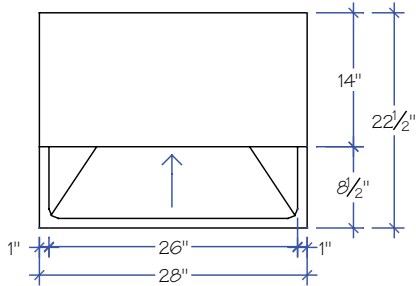
SECTION @ DRAIN



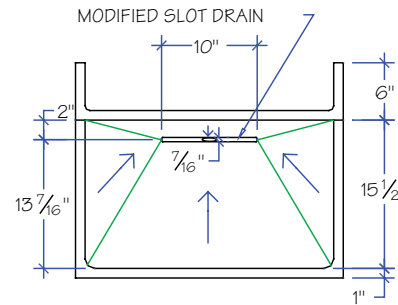
SIDE ELEVATION



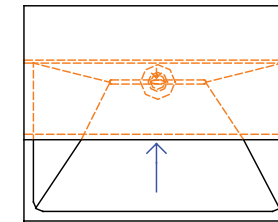
RIGHT ELEVATION



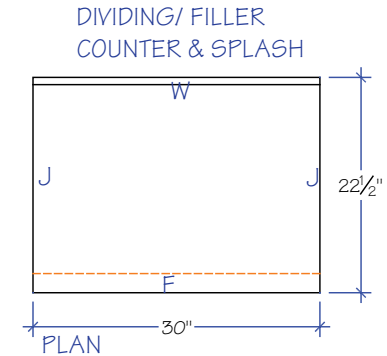
PLAN, DIMENSIONAL



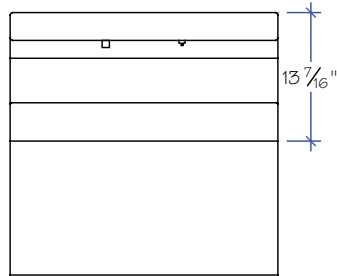
PLAN SECTION- SINK BOWL & COUNTER



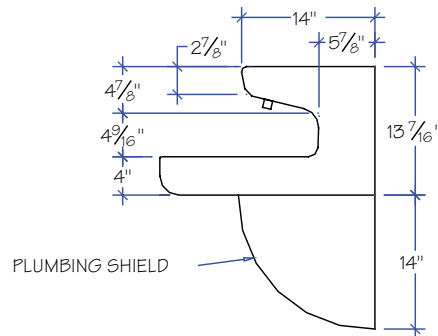
PLAN W/ HIDDEN LINES



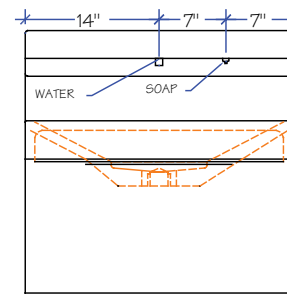
PLAN



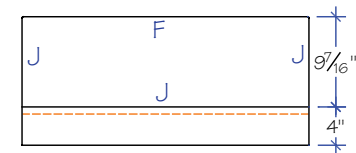
FRONT ELEVATION



RIGHT ELEVATION



FRONT ELEVATION W/ HIDDEN LINES



FRONT ELEVATION