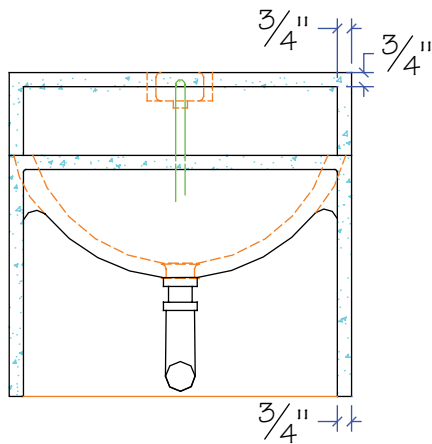
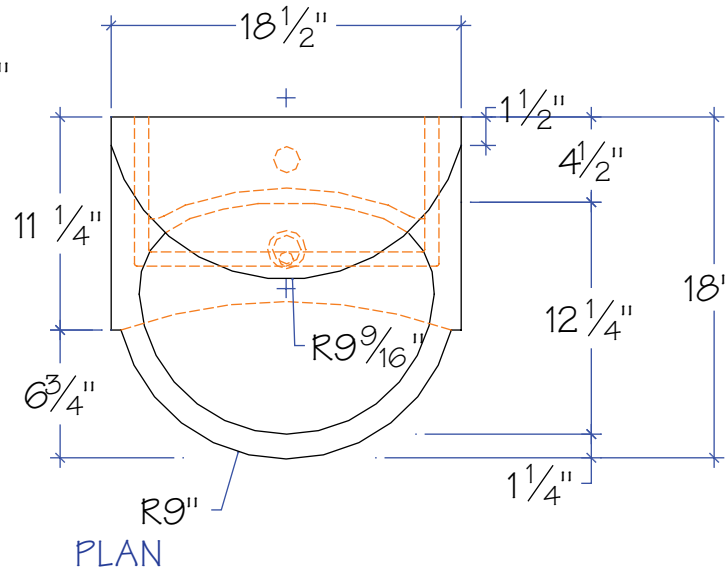


FLITE 101 RESTROOM SINK

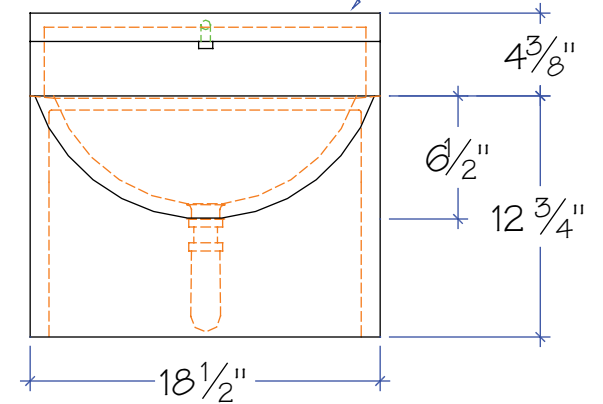


REAR ELEVATION

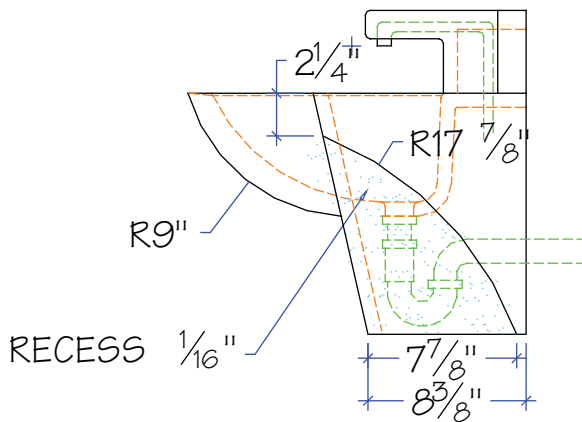


PLAN

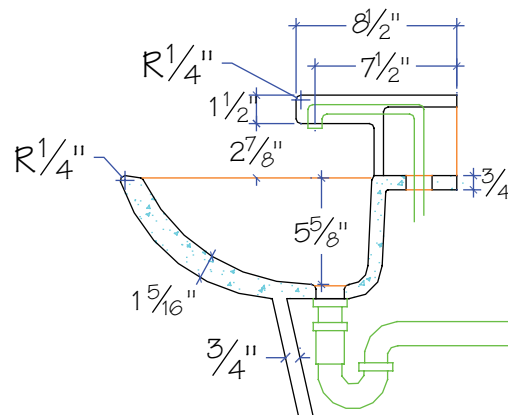
OPTIONAL FAUCET/ SHELF



FRONT ELEVATION



RIGHT ELEVATION



SECTION