



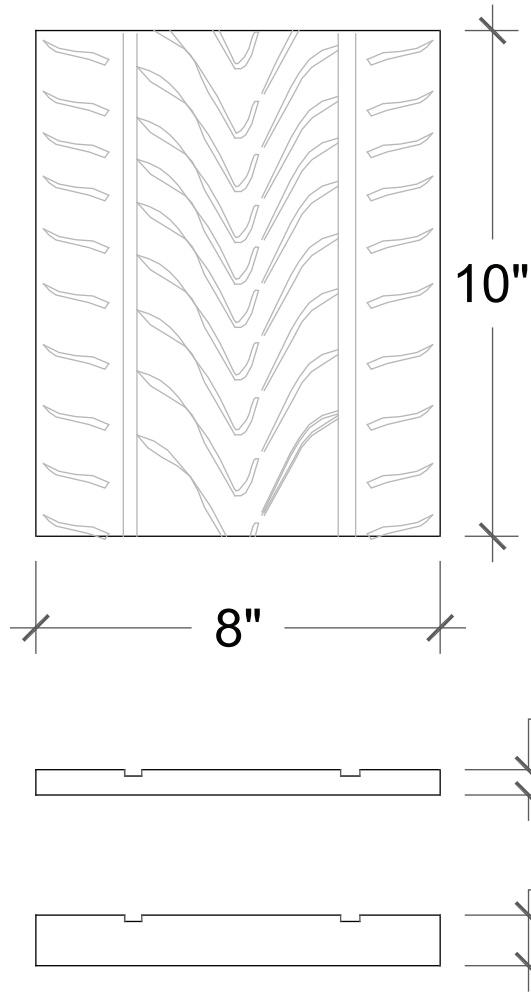
# TILES & PAVERS

SONOMA CAST STONE CORPORATION  
 Makers of NuCrete™, The World's Only Stainless Concrete  
 877.283.1897 • www.sonomastone.com



For more product info, or to download replacement forms, see: [www.sonomastone.com](http://www.sonomastone.com)

## Tile • Treads



"150K"

"75K"

"50K"



Designs ©2007 Sonoma Cast Stone Corp. All rights reserved.

Visit [www.sonomastone.com](http://www.sonomastone.com) to see photos of this and other products.

### • DESCRIPTION

Pre-cast concrete tile employing various tire treads in various states of wear. Ideal for a kid's bath or a new car showroom, these treads are available in three "mileage patterns".

The 50,000 model looks almost like a new tire. 100,000 model is next, followed by worn down 150,000 "mile" model which displays a more subtle reminder of travels taken.

A dramatic wall is one with a matching color in our TrueEdge tile (p17) as a background with two lines of matching Treads that have been "driven" through the field.

Custom styles and sizes available.

Refer to Tile Accessory page for pieces that compliment these tiles (p25).

### • FACTS

Tiles come in Classic Concrete in a mold release finish. As the term implies, tiles are "as is" when released from their molds.

Tiles are not diamond-sanded, sealed and waxed.

Tiles are currently not available in Stainless NuCrete™.

24 standard colors. See: [www.sonomastone.com](http://www.sonomastone.com), catalog or techbinder. Custom colors available. Order samples online, or call 877-283-2400 x113.

Tiles are unfinished and unsealed. Sealing by installer.

Thin-set mortar can be used to install tiles to solid, level substrate.