

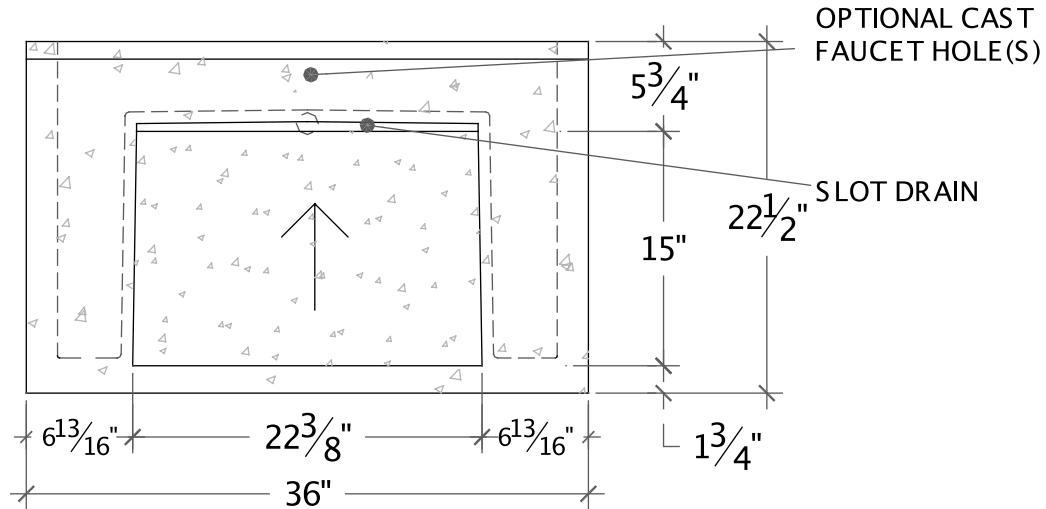


SONOMA CAST STONE / 877.283.2400

# STANDARD PRODUCTS

Visit [www.sonomastone.com](http://www.sonomastone.com) to see photos.  
Designs ©2009 Sonoma Cast Stone Corp. All rights reserved.

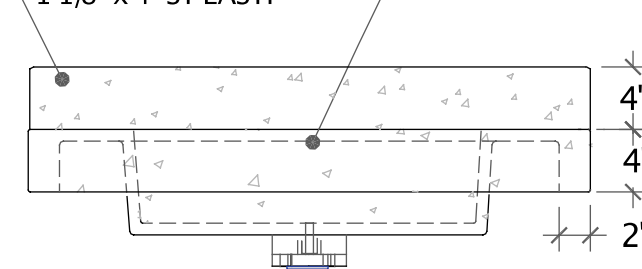
## MODEL: P-RAMP



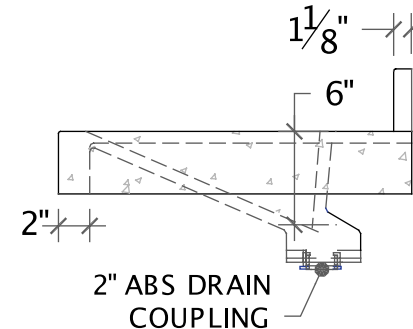
### PLAN

SHOWN WITH OPTIONAL 1 1/8" x 4" SPLASH

2" THICK CONC. COUNTER WITH INTEGRAL RAMPSINK, POLISHED FRONT & SIDE APRONS



### FRONT ELEVATION



### SIDE ELEVATION

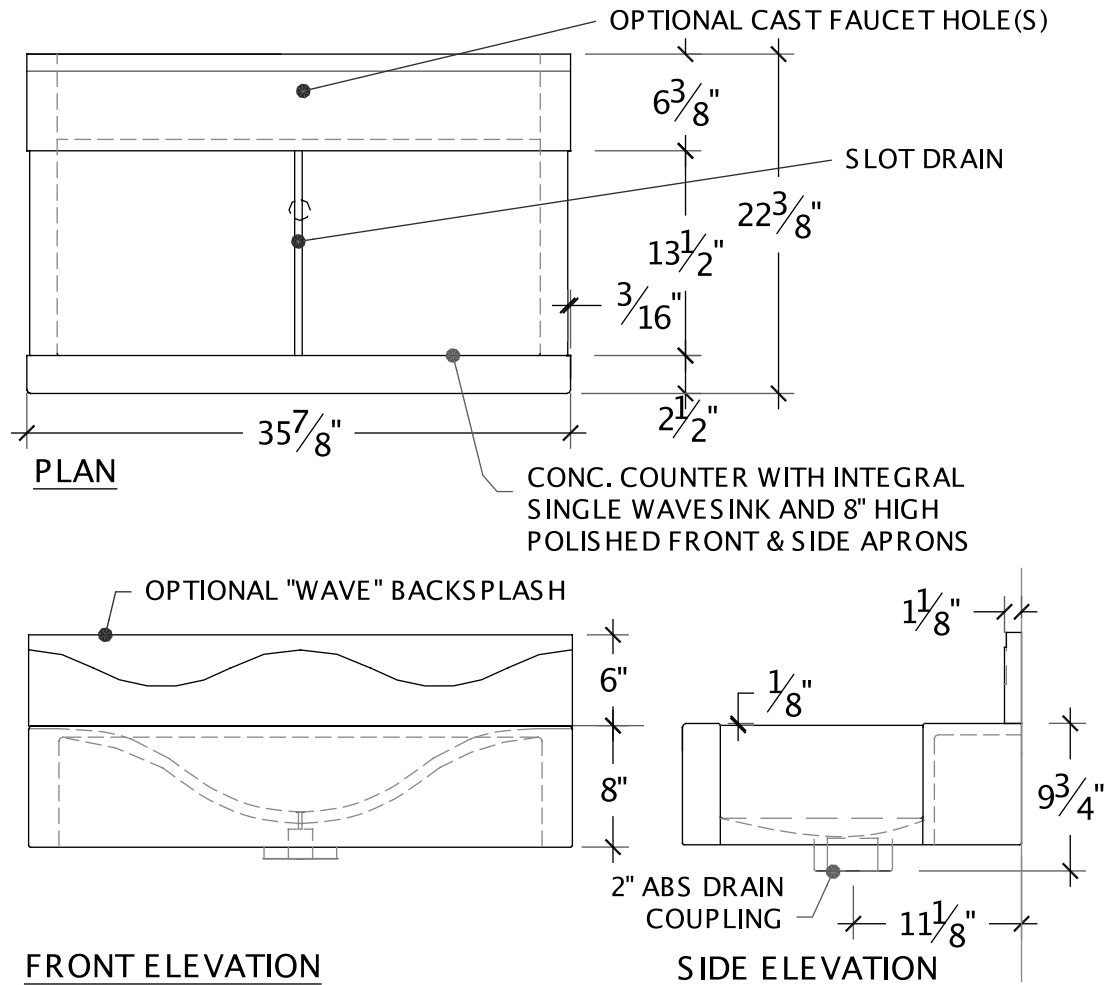


SONOMA CAST STONE / 877.283.2400

# STANDARD PRODUCTS

Visit [www.sonomastone.com](http://www.sonomastone.com) to see photos.  
Designs ©2009 Sonoma Cast Stone Corp. All rights reserved.

## MODEL: P-WAVE



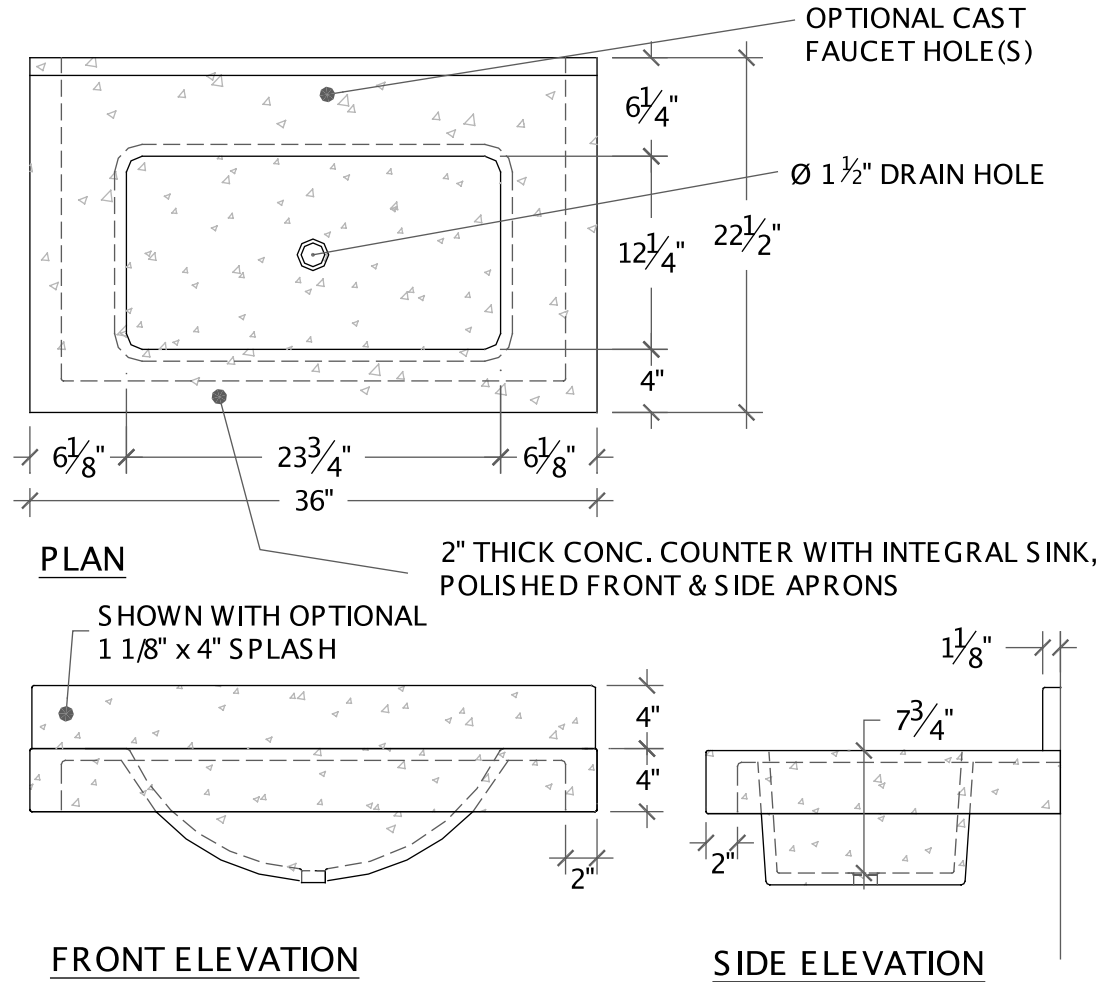


SONOMA CAST STONE / 877.283.2400

# STANDARD PRODUCTS

Visit [www.sonomastone.com](http://www.sonomastone.com) to see photos.  
Designs ©2009 Sonoma Cast Stone Corp. All rights reserved.

## MODEL: P-TROUGH-1





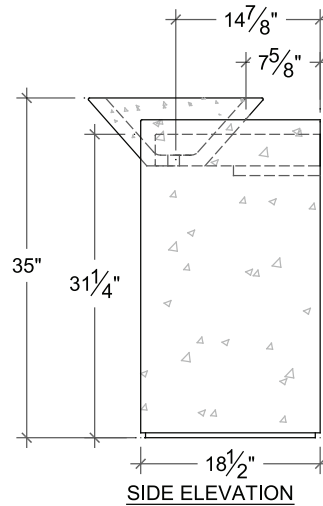
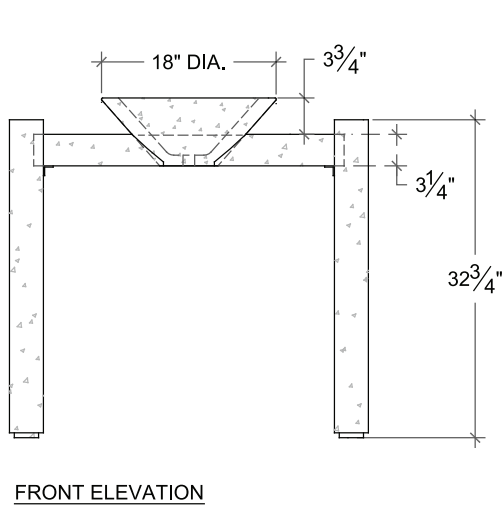
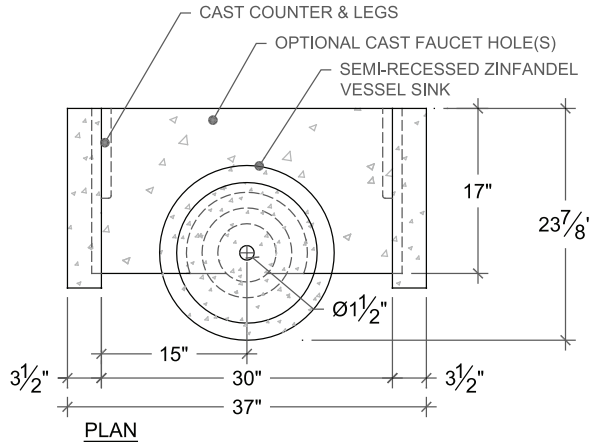
# STANDARD PRODUCTS

SONOMA CAST STONE CORPORATION  
 Makers of NuCrete™, The World's Only Stainless Concrete  
 877.283.1897 • www.sonomastone.com



For more product info, or to download replacement forms, see: [www.sonomastone.com](http://www.sonomastone.com)

## P-Series ZinCenter P-ZIN



Designs ©2007 Sonoma Cast Stone Corp. All rights reserved.

Visit [www.sonomastone.com](http://www.sonomastone.com) to see photos of this and other products.



### • DESCRIPTION

The Standard ZinCenter is a modern "Loft Design" free standing countertop vanity with matching concrete legs. The unit supports our Zinfandel VesselSink™ (p15), thus the name in either the same or contrasting color.

The same design is offered as a master bath double vanity (p21).

Special plumbing is available from Sonoma Forge or others that will allow the P-trap to move to the rear or to be hidden in a wall access panel. Faucets may be deck or wall-mounted to your specifications.

The unit ships flat and requires minor assembly.

### • FACTS

Classic Concrete (diamond-sanded, sealed & waxed) or Stainless Nucrete™. 24 standard colors. See: [www.sonomastone.com](http://www.sonomastone.com), catalog or techbinder. Custom colors available. Order samples online, or call 877-283-2400 x113.

Self-supporting. Some assembly required, bolts included.

Drain hole fits most 1-1/4" standard drain assemblies (not included).

For UPC (IAPMO) listing, see Appendix, p08-10.

Approximate Weight: 418 lbs / Crated 615 lbs



# STANDARD PRODUCTS

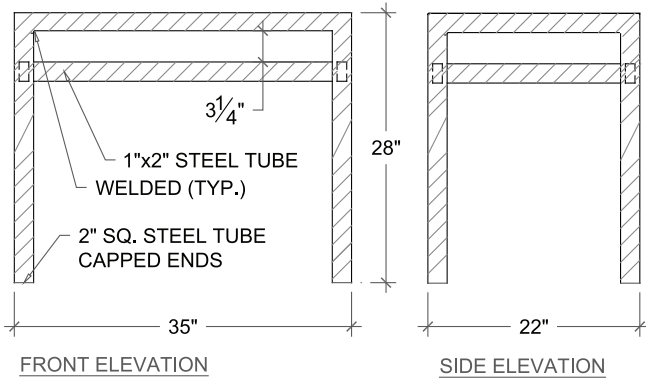
SONOMA CAST STONE CORPORATION  
 Makers of NuCrete™, The World's Only Stainless Concrete  
 877.283.1897 • www.sonomastone.com



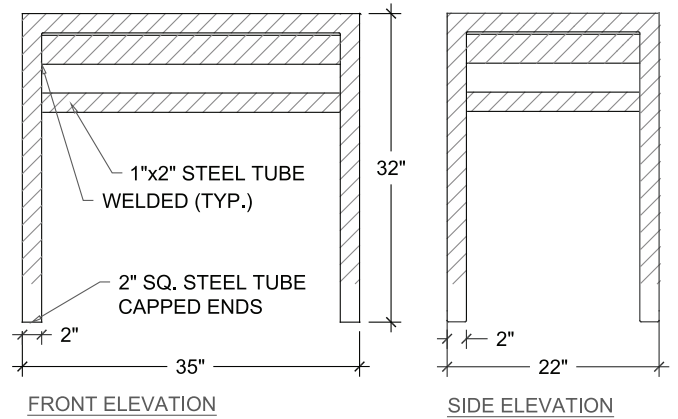
For more product info, or to download replacement forms, see: [www.sonomastone.com](http://www.sonomastone.com)

## METAL STAND for P-Series P-STNDMTL

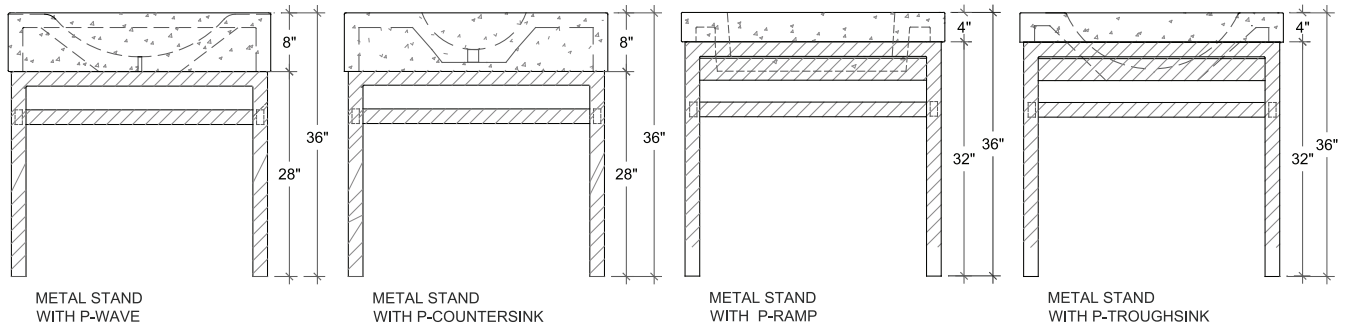
Sonoma Cast Stone offers optional stands of hardwood or powder-coated metal, hand-crafted and designed to complement our P-Series sinks. Sold separately.



P-COUNTERSINK & P-WAVE STAND



P-RAMP & P-TROUGHSINK STAND



Designs ©2007 Sonoma Cast Stone Corp. All rights reserved.

Visit [www.sonomastone.com](http://www.sonomastone.com) to see photos of this and other products.

### • DESCRIPTION

- Standard Size steel stands for any P-Series sink option.
- Towel bar included.
- Comes standard in powder-coated dark bronze finish.
- Custom colors and sizes available upon request.
- Available in two heights to complement different P-Series models.

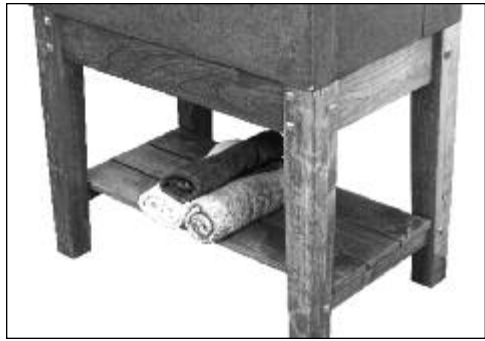
### • FACTS

- Constructed of 2" square steel in powder-coated finish.
- Standard color is dark bronze.
- Custom colors are available.
- Available in stainless steel.
- Legs are capped at ends.
- Approximate Weight: 48 lbs / Crated: 94 lbs (for P-Wave)
- Approximate Weight: 60 lbs / Crated: 110 lbs (for P-Ramp)
- (not including optional sinks)



# STANDARD PRODUCTS

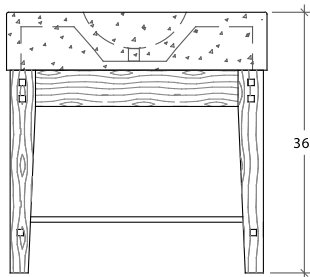
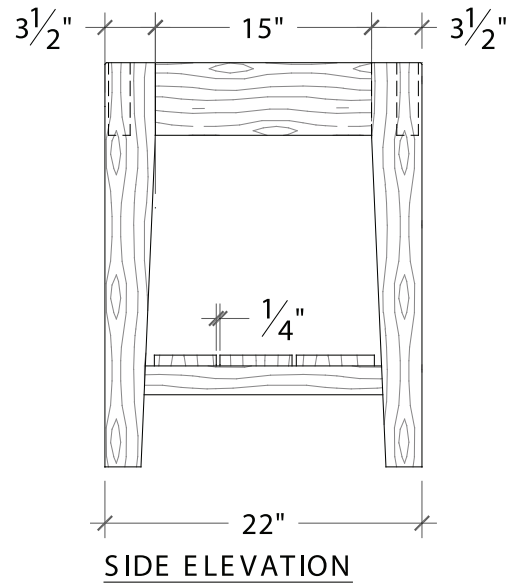
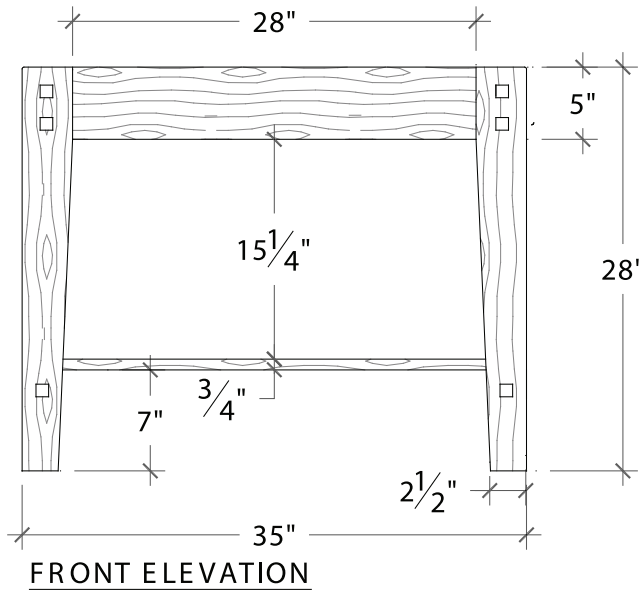
SONOMA CAST STONE CORPORATION  
 Makers of NuCrete™, The World's Only Stainless Concrete  
 877.283.1897 • www.sonomastone.com



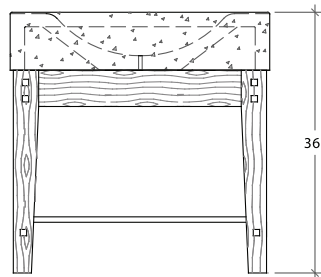
For more product info, or to download replacement forms, see: [www.sonomastone.com](http://www.sonomastone.com)

## WOOD STAND for P-Series P-STNDHW

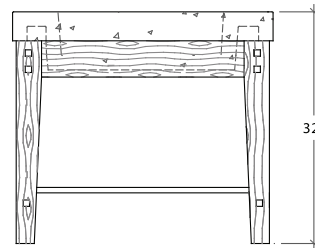
Sonoma Cast Stone offers optional stands of hardwood or powder-coated metal, hand-crafted and designed to complement our P-Series sinks. Sold separately.



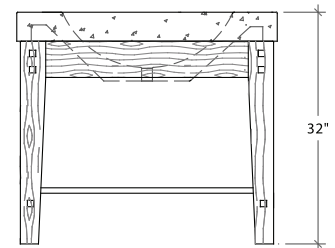
HARDWOOD STAND WITH P-COUNTERSINK



HARDWOOD STAND WITH P-WAVE



HARDWOOD STAND WITH P-RAMP



HARDWOOD STAND WITH P-TROUGH

Designs ©2007 Sonoma Cast Stone Corp. All rights reserved.

Visit [www.sonomastone.com](http://www.sonomastone.com) to see photos of this and other products.

### • DESCRIPTION

Standard Size hardwood stands for any P-Series sink option.  
 Towel shelf included.  
 Quality handcrafted stand available in smooth or distressed finish (stained or unstained options).  
 NOTE: Distressing imitates the wear that would occur over many years of use. These wear patterns will, by nature, vary from one piece to another.

### • FACTS

Solid Hardwood construction.  
 Smooth or Distressed finish.  
 Stained or Unstained.  
 For finish details and stain colors, visit [www.sonomastone.com](http://www.sonomastone.com)  
 Approximate Weight: 34 lbs / Crated: 85 lbs (not including optional sinks)



# STANDARD PRODUCTS

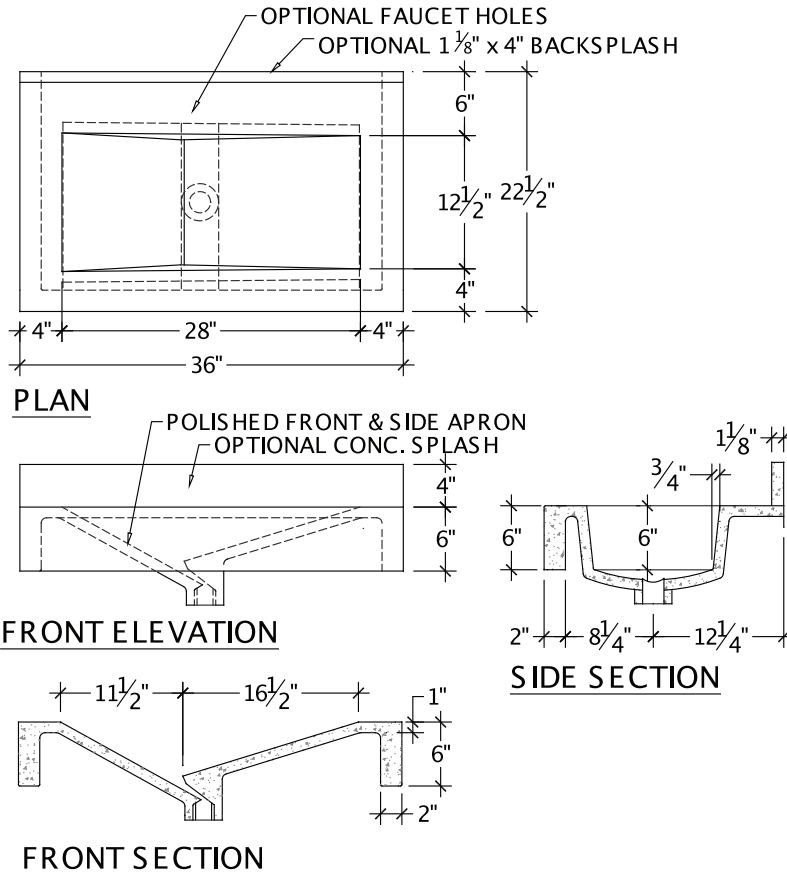
SONOMA CAST STONE CORPORATION  
 Makers of NuCrete™, The World's Only Stainless Concrete  
 877.283.1897 • www.sonomastone.com



For more product info, or to download replacement forms, see: [www.sonomastone.com](http://www.sonomastone.com)

## P-Series WaterfallSink P-WFS

Sonoma Cast Stone offers optional stands of hardwood or powder-coated metal, hand-crafted and designed to complement our P-Series sinks. Sold separately.



Designs ©2009 Sonoma Cast Stone Corp. All rights reserved.

Visit [www.sonomastone.com](http://www.sonomastone.com) to see photos of this and other products.



### • DESCRIPTION

Premiered at the Sunset Magazine Idea House, the WaterFallSink™ is like a center-sloping RampSink™ with overlapping ramp elements in a cast concrete countertop. Water flows from the deck or wall-mount faucet to the top ramp and then gently onto the lower ramp and into drain. Allows the insertion of a second color on the top Ramp as an option. Allows for constant drainage without soap build up or standing water areas. Slot drain replaces traditional drain assembly, so there is no visible hardware.

This unit rests on designed cabinetry or on one of our specially made hardwood or modern metal stands (p07-08).

The hardwood stands are available in smooth or distressed finish (stained or unstained options).

### • FACTS

Classic Concrete (diamond-sanded, sealed & waxed) or Stainless Nucrete™. 24 standard colors. See: [www.sonomastone.com](http://www.sonomastone.com), catalog or techbinder. Custom colors available. Order samples online, or call 877-283-2400 x113.

Optional Back Splash available. May be cabinet or wall-mounted.

Specially designed metal or wood stands sold separately.

Custom cabinets available. Faucet holes optional to your specification.

May use deck or wall-mount faucets.

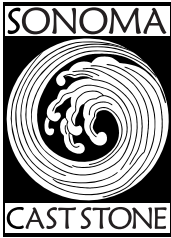
The slot drain couples to conventional 1-1/4" drain assemblies.

For UPC (IAPMO) listing, see Appendix, p08-10.

Approximate Weight: 200 Lbs / 335 Lbs Crated (not including optional stand)

TECHBINDER 070201 / STANDARD PRODUCTS / PAGE 06

SEE [WWW.SONOMASTONE.COM](http://WWW.SONOMASTONE.COM) FOR PHOTOS AND ADDITIONAL INFORMATION ON THIS PRODUCT



# STANDARD PRODUCTS

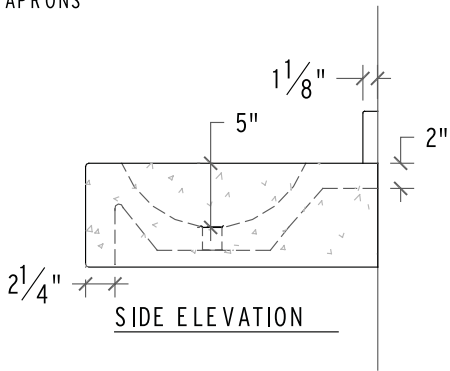
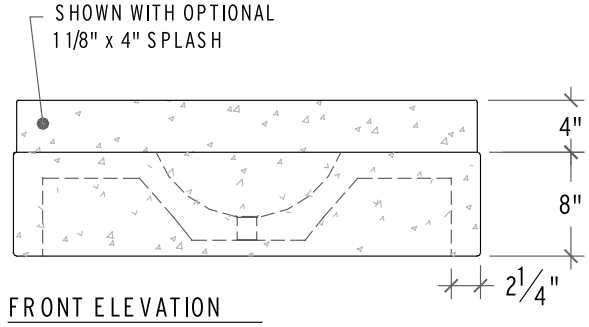
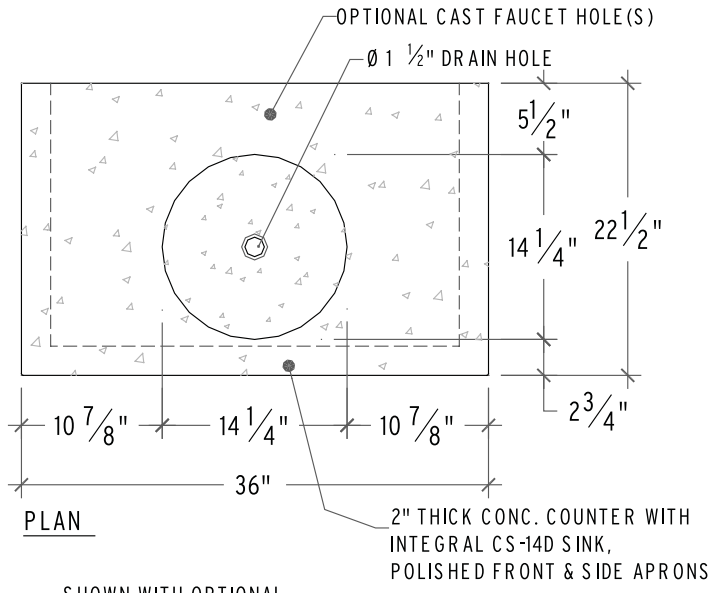
SONOMA CAST STONE CORPORATION  
 Makers of NuCrete™, The World's Only Stainless Concrete  
 877.283.2400 • www.sonomastone.com



For more product info, or to download replacement forms, see: www.sonomastone.com

## P-Series CounterSink P-CS

Sonoma Cast Stone offers optional stands of hardwood or powder-coated metal, hand-crafted and designed to complement our P-Series sinks. Sold separately.



Designs ©2007 Sonoma Cast Stone Corp. All rights reserved.

Visit [www.sonomastone.com](http://www.sonomastone.com) to see photos of this and other products.



### • DESCRIPTION • FACTS

Standard integral CounterSinks with surrounding counter space. Molds are in stock and ready to pour upon color selection and faucet placement instructions.

This unit rests on designed cabinetry or on one of our specially made hardwood or modern metal stands (p07-08).

The hardwood stands are available in smooth or distressed finish (stained or unstained options).

Production time 4-5 weeks.

Classic Concrete (diamond-sanded, sealed & waxed) or Stainless Nucrete™. 24 standard colors. See: [www.sonomastone.com](http://www.sonomastone.com), catalog or techbinder. Custom colors available. Order samples online, or call 877-283-2400 x113.

Optional Back Splash available. May be cabinet or wall-mounted.

Specially designed metal or wood stands sold separately.

Custom cabinets available. Faucet holes optional to your specification.

May use deck or wall-mount faucets.

Drain hole fits most 1-1/4" standard drain assemblies (not included).

For UPC (IAPMO) listing, see Appendix, p08-10.

Approximate Weight: 200 lbs / Crated 335 lbs (not including optional stand)



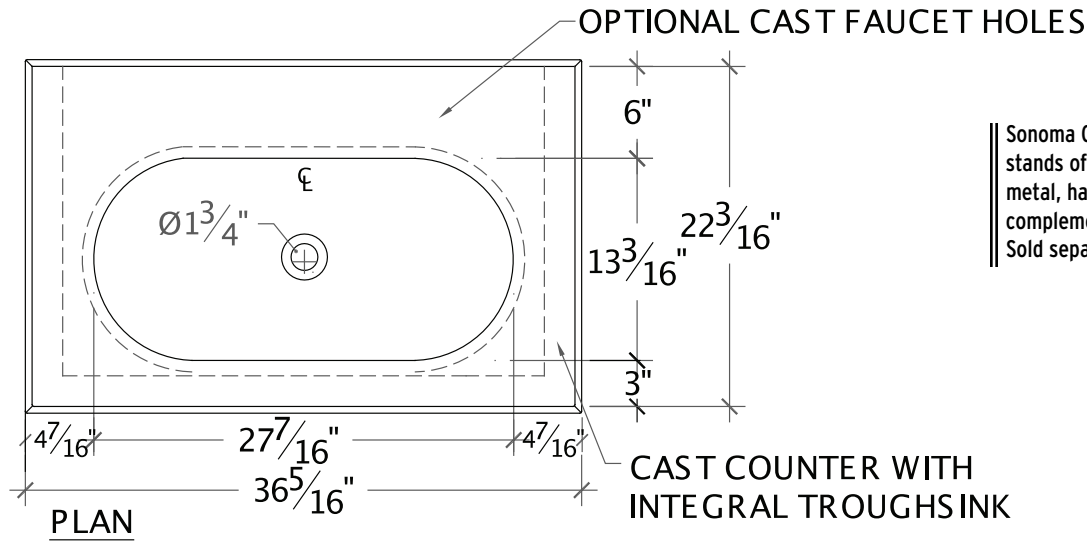
# STANDARD PRODUCTS

SONOMA CAST STONE CORPORATION  
 Makers of NuCrete™, The World's Only Stainless Concrete  
 877.283.1897 • www.sonomastone.com

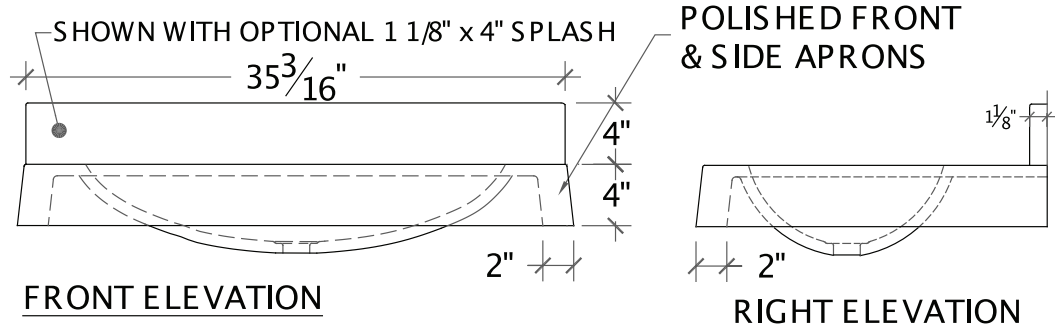


For more product info, or to download replacement forms, see: [www.sonomastone.com](http://www.sonomastone.com)

## P-Series TroughSink P-TS-2



Sonoma Cast Stone offers optional stands of hardwood or powder-coated metal, hand-crafted and designed to complement our P-Series sinks. Sold separately.



Designs ©2009 Sonoma Cast Stone Corp. All rights reserved.

Visit [www.sonomastone.com](http://www.sonomastone.com) to see photos of this and other products.



### • DESCRIPTION

Standard integral TroughSink with surrounding counter space. This updated version reflects the shape of our larger TroughSink designs. Molds are in stock and ready to pour upon color selection and faucet placement instructions.

This unit rests on designed cabinetry or on one of our specially made hardwood or modern metal stands (p07-08).

The hardwood stands are available in smooth or distressed finish (stained or unstained options).

Also available in a Standard Double-Trough master bath vanity size (p20).

Production time 4-5 weeks.

### • FACTS

Classic Concrete (diamond-sanded, sealed & waxed) or Stainless Nucrete™. 24 standard colors. See: [www.sonomastone.com](http://www.sonomastone.com), catalog or techbinder. Custom colors available. Order samples online, or call 877-283-2400 x113.

Optional Back Splash available. May be cabinet or wall-mounted.

Specially designed metal or wood stands sold separately.

Custom cabinets available. Faucet holes optional to your specification.

May use deck or wall-mount faucets.

Drain hole fits most 1-1/4" standard drain assemblies (not included).

For UPC (IAPMO) listing, see Appendix, p08-10.

Approximate Weight: 180 lbs / Crated 280 lbs (not including optional stand)

TECHBINDER 070201 / STANDARD PRODUCTS / PAGE 04

SEE [WWW.SONOMASTONE.COM](http://WWW.SONOMASTONE.COM) FOR PHOTOS AND ADDITIONAL INFORMATION ON THIS PRODUCT



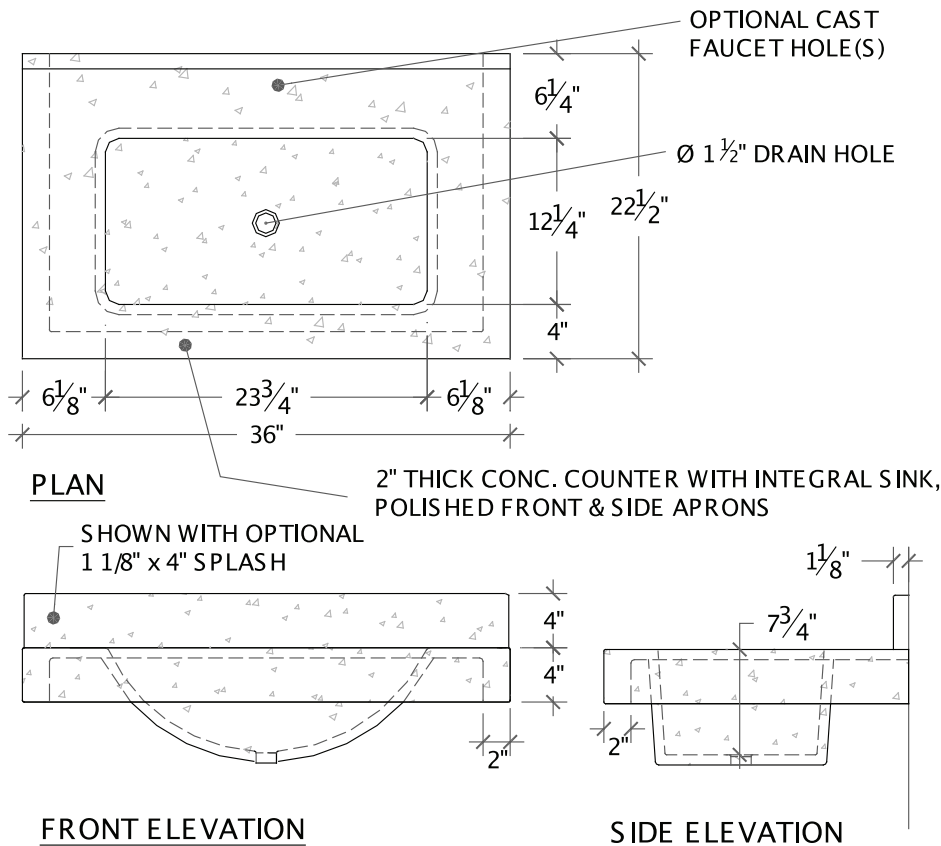
# STANDARD PRODUCTS

SONOMA CAST STONE CORPORATION  
 Makers of NuCrete™, The World's Only Stainless Concrete  
 877.283.1897 • www.sonomastone.com



For more product info, or to download replacement forms, see: [www.sonomastone.com](http://www.sonomastone.com)

## P-Series TroughSink P-TS-1



Sonoma Cast Stone offers optional stands of hardwood or powder-coated metal, hand-crafted and designed to complement our P-Series sinks. Sold separately.

Designs ©2009 Sonoma Cast Stone Corp. All rights reserved.

Visit [www.sonomastone.com](http://www.sonomastone.com) to see photos of this and other products.



### • DESCRIPTION

Standard integral TroughSink with surrounding counter space. This original model is more a scoop design. See next page for updated P-Series TroughSink. Molds are in stock and ready to pour upon color selection and faucet placement instructions.

This unit rests on designed cabinetry or on one of our specially made hardwood or modern metal stands (p07-08).

The hardwood stands are available in smooth or distressed finish (stained or unstained options).

Production time 4-5 weeks.

### • FACTS

Classic Concrete (diamond-sanded, sealed & waxed) or Stainless Nucrete™. 24 standard colors. See: [www.sonomastone.com](http://www.sonomastone.com), catalog or techbinder. Custom colors available. Order samples online, or call 877-283-2400 x113.

Optional Back Splash available. May be cabinet or wall-mounted.

Specially designed metal or wood stands sold separately.

Custom cabinets available. Faucet holes optional to your specification.

May use deck or wall-mount faucets.

Drain hole fits most 1-1/4" standard drain assemblies (not included).

For UPC (IAPMO) listing, see Appendix, p08-10.

Approximate Weight: 180 lbs / Crated 280 lbs (not including optional stand)

TECHBINDER 070201 / STANDARD PRODUCTS / PAGE 03

SEE [WWW.SONOMASTONE.COM](http://WWW.SONOMASTONE.COM) FOR PHOTOS AND ADDITIONAL INFORMATION ON THIS PRODUCT



# STANDARD PRODUCTS

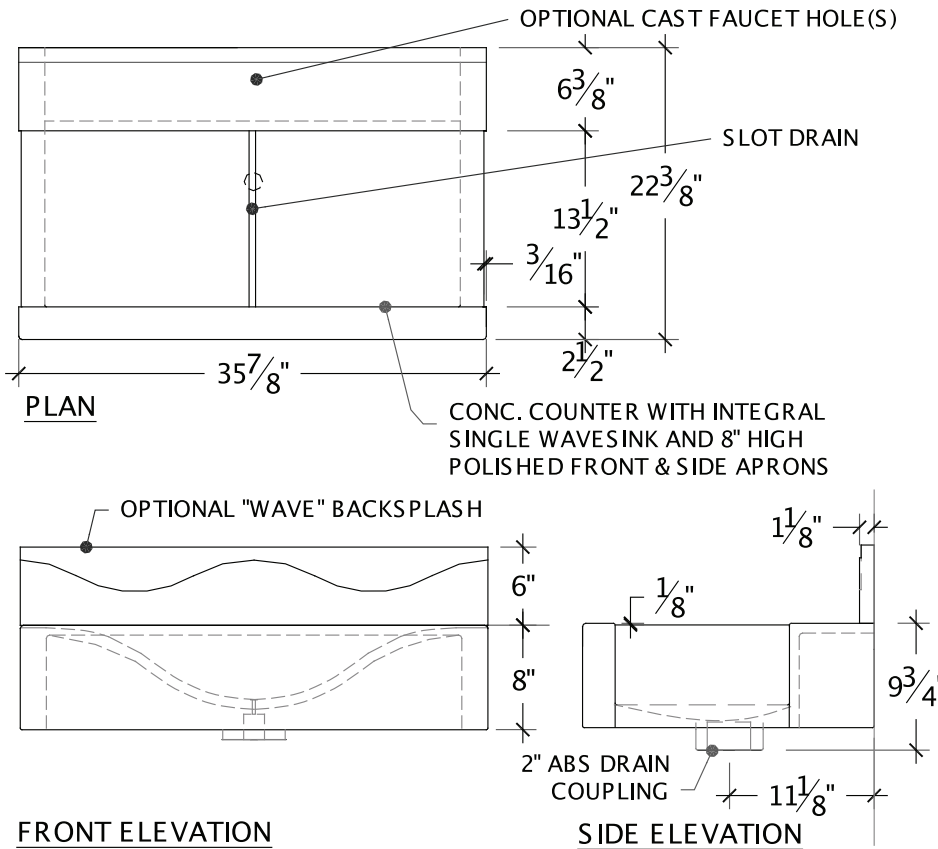
SONOMA CAST STONE CORPORATION  
 Makers of NuCrete™, The World's Only Stainless Concrete  
 877.283.1897 • www.sonomastone.com



For more product info, or to download replacement forms, see: [www.sonomastone.com](http://www.sonomastone.com)

## P-Series WaveSink P-WV

Sonoma Cast Stone offers optional stands of hardwood or powder-coated metal, hand-crafted and designed to complement our P-Series sinks. Sold separately.



Designs ©2009 Sonoma Cast Stone Corp. All rights reserved.

Visit [www.sonomastone.com](http://www.sonomastone.com) to see photos of this and other products.



### • DESCRIPTION

Standard integral Single WaveSink with surrounding counter space. Hidden slot drain replaces a traditional drain assembly. Molds are in stock and ready to pour upon color selection and faucet placement instructions.

This unit rests on designed cabinetry or on one of our specially made hardwood or modern metal stands (p07-08).

The hardwood stands are available in smooth or distressed finish (stained or unstained options).

Also available in a Standard Double-Wave master bath vanity size (p19).

Production time 4-5 weeks.

### • FACTS

Classic Concrete (diamond-sanded, sealed & waxed) or Stainless Nucrete™. 24 standard colors. See: [www.sonomastone.com](http://www.sonomastone.com), catalog or techbinder. Custom colors available. Order samples online, or call 877-283-2400 x113. Optional Back Splash available. (4" x 1-1/8" x 37-7/8"). Specially designed wave backsplash (shown) optional. May be cabinet or wall-mounted. Specially designed metal or wood stands sold separately.

Custom cabinets available. Faucet holes optional to your specification.

May use deck or wall-mount faucets.

Drain hole fits most 1-1/4" standard drain assemblies (not included).

For UPC (IAPMO) listing, see Appendix, p08-10.

Approximate Weight: 180 lbs / Crated 280 lbs (not including optional stand)

TECHBINDER 070201 / STANDARD PRODUCTS / PAGE 02

SEE [WWW.SONOMASTONE.COM](http://WWW.SONOMASTONE.COM) FOR PHOTOS AND ADDITIONAL INFORMATION ON THIS PRODUCT



# STANDARD PRODUCTS

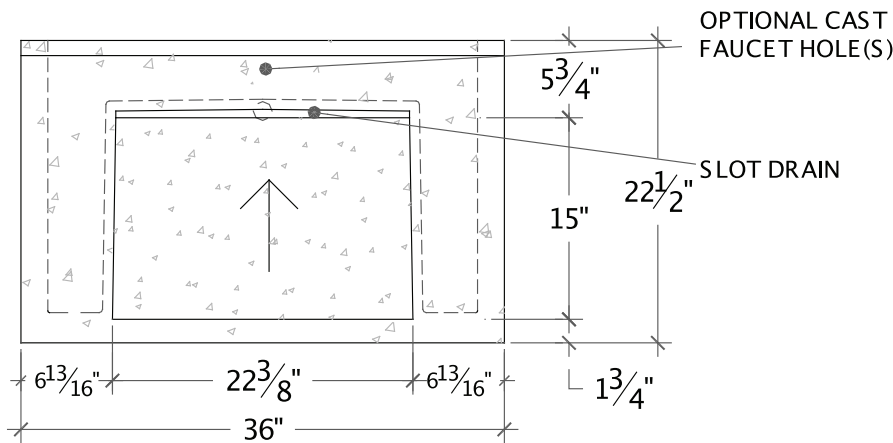
SONOMA CAST STONE CORPORATION  
 Makers of NuCrete™, The World's Only Stainless Concrete  
 877.283.1897 • www.sonomastone.com



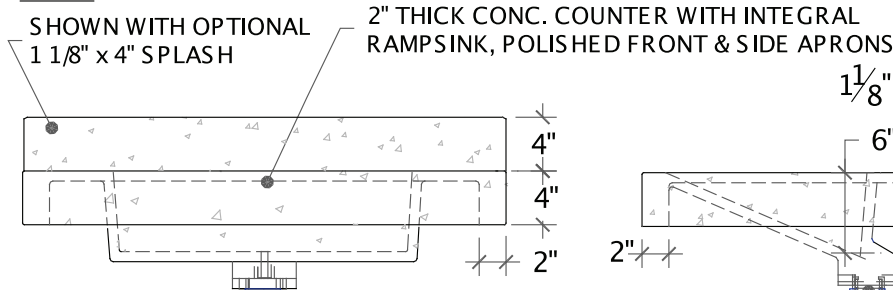
For more product info, or to download replacement forms, see: [www.sonomastone.com](http://www.sonomastone.com)

## P-Series RampSink P-RMP

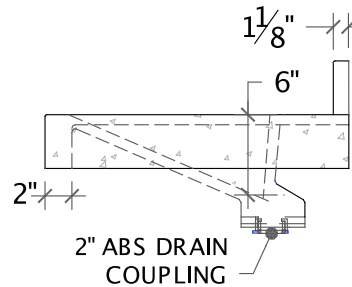
Sonoma Cast Stone offers optional stands of hardwood or powder-coated metal, hand-crafted and designed to complement our P-Series sinks. Sold separately.



PLAN



FRONT ELEVATION



SIDE ELEVATION

Designs ©2009 Sonoma Cast Stone Corp. All rights reserved.

Visit [www.sonomastone.com](http://www.sonomastone.com) to see photos of this and other products.



### • DESCRIPTION

Standard integral Single RampSink™ with surrounding counter space. Hidden slot drain replaces a traditional drain assembly. Molds are in stock and ready to pour upon color selection and faucet placement instructions. This unit rests on designed cabinetry or on one of our specially made hardwood or modern metal stands (p07-08). The hardwood stands are available in smooth or distressed finish (stained or unstained options). Also available in a Standard Double-wide RampSink™ for master bath vanity size (p16). The RampSink™ is our most flexible design. The design can be modified in many ways for custom pieces. The “ramp” may slope sideways, from back to front or two ramps may overlap each other. This design is especially adaptable for commercial applications. Custom sizes are available.

Production time 4-5 weeks.

### • FACTS

Classic Concrete (diamond-sanded, sealed & waxed) or Stainless Nucrete™. 24 standard colors. See: [www.sonomastone.com](http://www.sonomastone.com), catalog or techbinder. Custom colors available. Order samples online, or call 877-283-2400 x113.

Optional Back Splash available. May be cabinet or wall-mounted.

Specially designed metal or wood stands sold separately.

Custom cabinets available. Faucet holes optional to your specification. May use deck or wall-mount faucets.

The slot drain couples to conventional 1-1/4” drain assemblies.

For UPC (IAPMO) listing, see Appendix, p08-10.

Approximate Weight: 200 lbs / Crated 335 lbs (not including optional stand)