

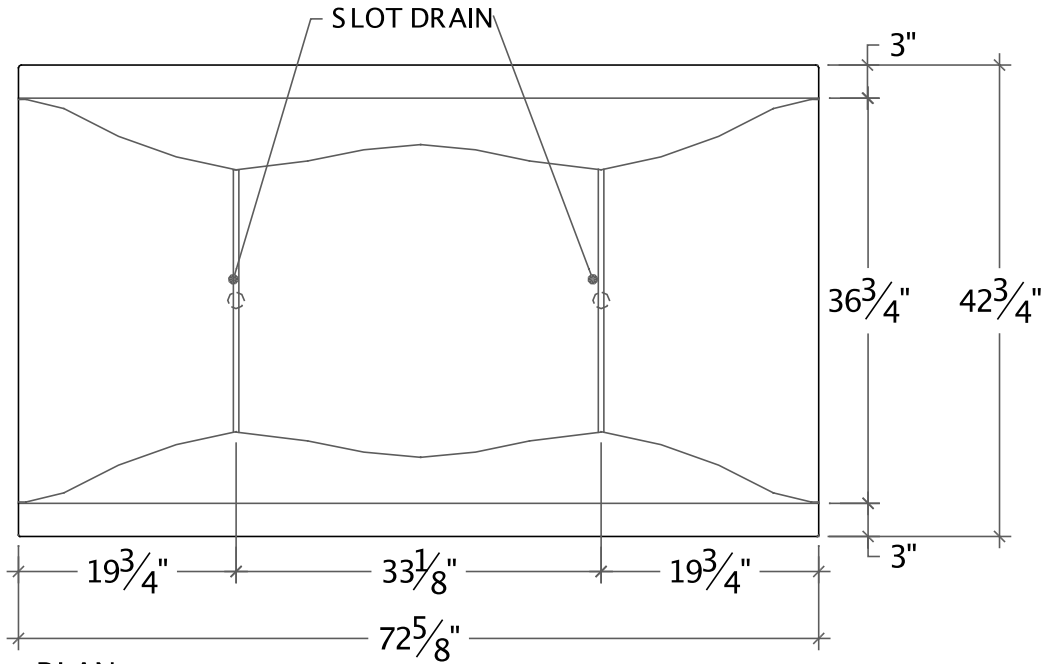


SONOMA CAST STONE / 877.283.2400

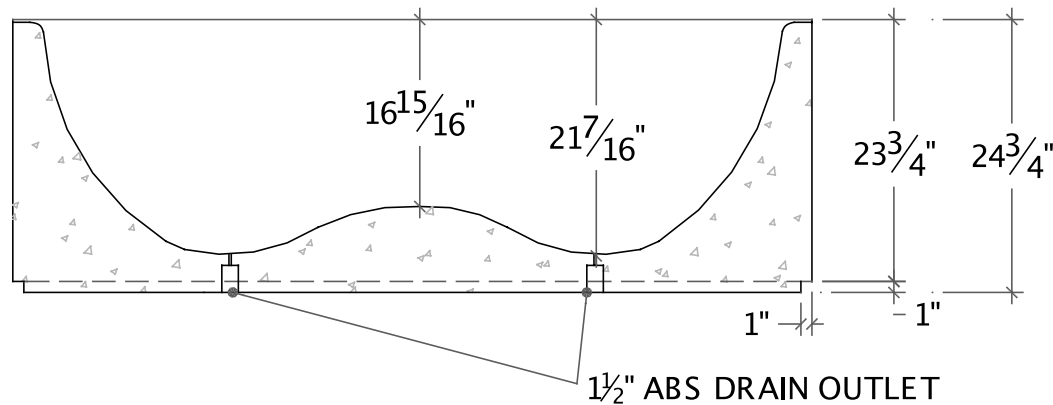
# STANDARD PRODUCTS

Visit [www.sonomastone.com](http://www.sonomastone.com) to see photos.  
Designs ©2009 Sonoma Cast Stone Corp. All rights reserved.

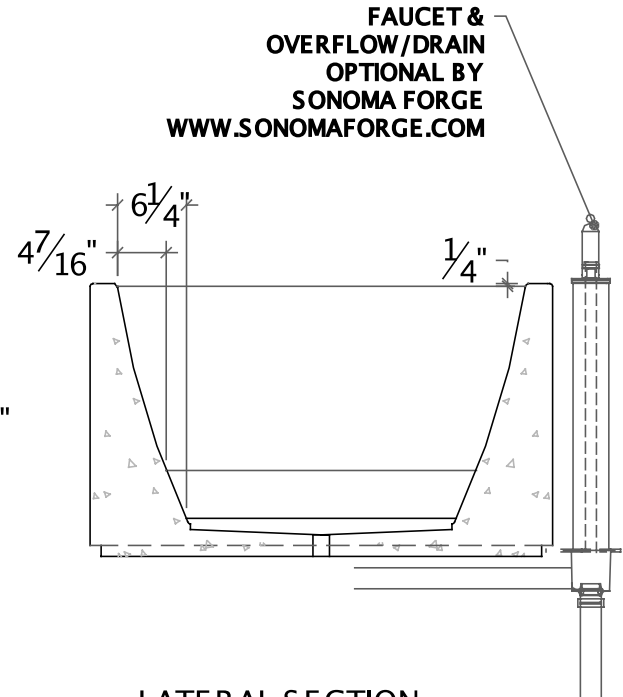
## MODEL: CUBIST WAVETUB



PLAN



LONGITUDINAL SECTION



LATERAL SECTION