

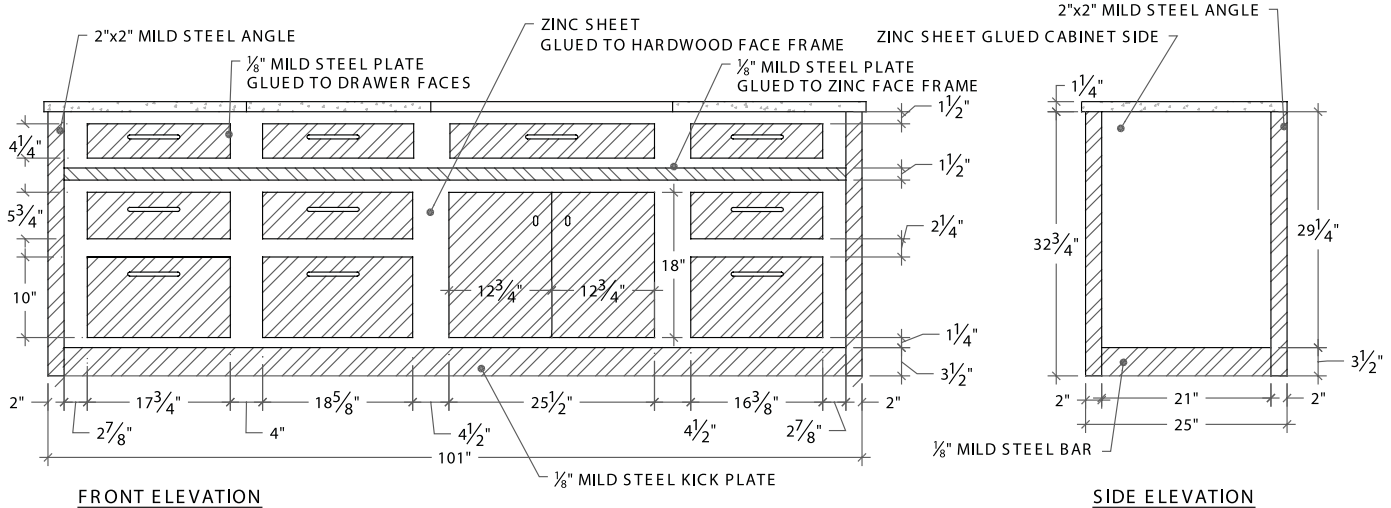
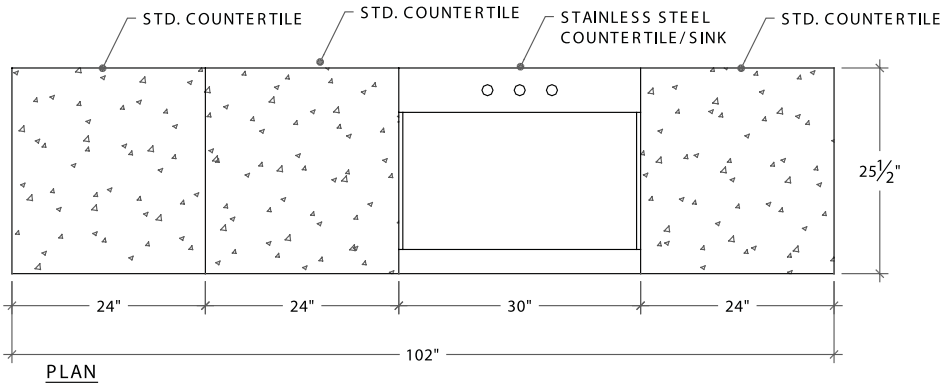
STANDARD PRODUCTS

SONOMA CAST STONE CORPORATION
 Makers of NuCrete™, The World's Only Stainless Concrete
 877.283.2400 • www.sonomastone.com



For more product info, or to download replacement forms, see: www.sonomastone.com

CounterTile™ Modern Cabinet KC-MOD



Designs ©2007 Sonoma Cast Stone Corp. All rights reserved.

Visit www.sonomastone.com to see photos of this and other products.

DESCRIPTION

Modern style Kitchen cabinet with zinc front with steel-faced drawers designed specifically for CounterTile™ products.

Can accommodate either sink unit option, Stainless NuCrete™ CounterTile™ FarmSink or stainless steel FarmSink (shown in drawing above).

See separate Fact Sheets for each sink option.

FACTS

Zinc faced cabinet with steel fronted drawers. Handles/knobs not included. Removable U-shaped magnet pulls available as an option. Interior of drawers in clear lacquer or stained finish. Backside is also finished.

Size shown in drawing for 3 Stainless NuCrete™ CounterTiles™ and choice of CounterTile™ Nucrete™ FarmSink or Stainless Steel FarmSink.

Optional matching back splash available.

Refer to CounterTile™ page for additional information.

Approximate Weight: 680 LBS / Crated: 1,020 lbs (Cabinet only)