

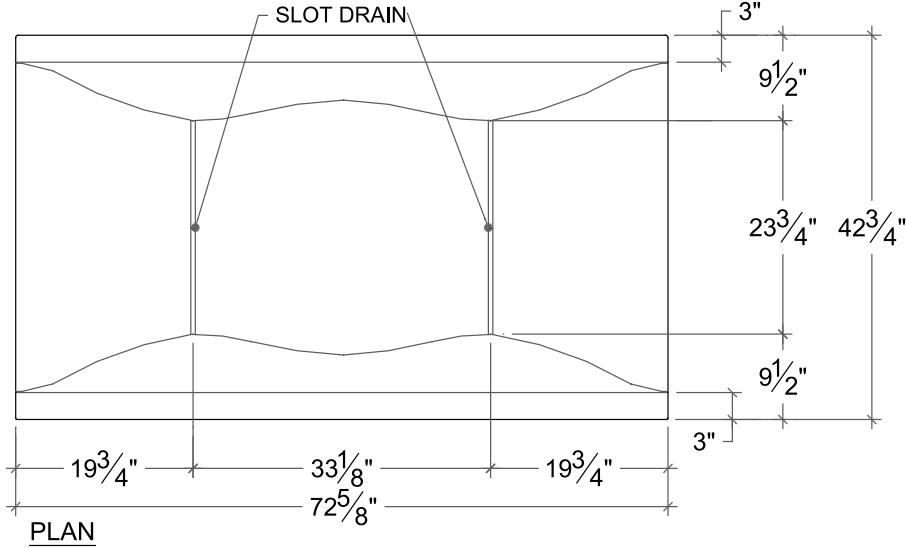
STANDARD PRODUCTS

SONOMA CAST STONE CORPORATION
 Makers of NuCrete™, The World's Only Stainless Concrete
 877.283.2400 • www.sonomastone.com

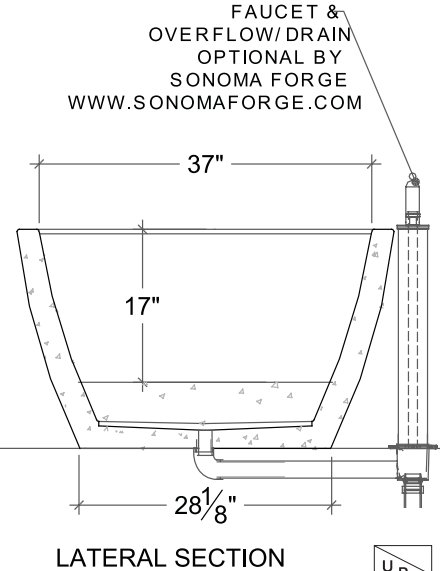
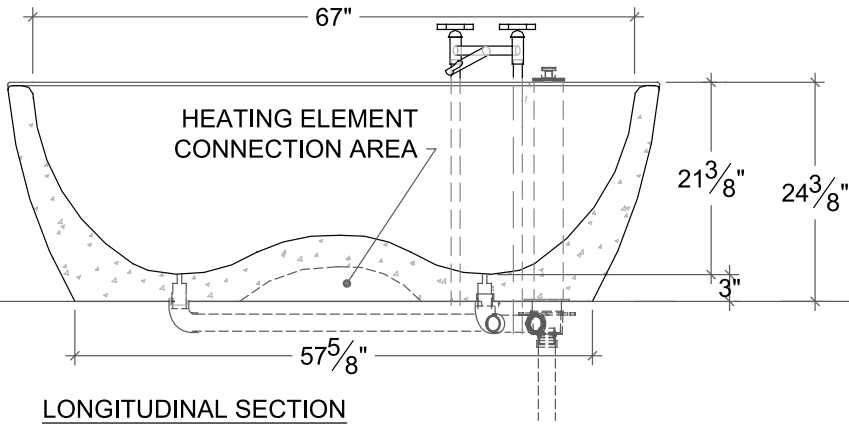


For more product info, or to download replacement forms, see: www.sonomastone.com

DoubleWaveTub WV-TUB-DB



For remodel applications, platform framing may be necessary to accommodate plumbing. capacity: 130 gallons



Designs ©2007 Sonoma Cast Stone Corp. All rights reserved.

Visit www.sonomastone.com to see photos of this and other products.



• DESCRIPTION

Any body... and everybody can find the exact "right position" in this contoured double WaveTub. This beautiful stand alone tub has been called more of a piece of sculpture than a bathtub. An optional heating element can be embedded into the concrete to insure an even and constantly warm surface that will maintain the hot water until all of your daily woes are forgotten. The heating option includes a programmable timer that will control both the times and temperature of the tub surface. This large 1800 lb tub requires careful planning with an architect or structural engineer. Primarily designed for new construction, however, retrofit options are possible. An installation brochure should be requested and studied to insure that proper plumbing and electrical connections are in the proper placement before the floor is constructed.

Sonoma Forge has designed a tub filler and a combination drain and overflow assembly to match this tub.

• FACTS

Classic Concrete (diamond-sanded, sealed & waxed) or Stainless Nucrete™. 24 standard colors. See: www.sonomastone.com, catalog or techbinder. Custom colors available. Order samples online, or call 877-283-2400 x113.

Tub may be floor-mounted or on pedestal (raised floor) in remodel applications. 130 gallon capacity.

The slot drain couples to conventional 1-1/2" drain assemblies. 1-1/2" diameter ABS pipe stub-out included. 1-1/2" drain pipe must be accompanied with remote overflow & drain assembly (available from Sonoma Forge and others). Drain is best accomplished before floor is poured and completed.

For UPC (IAPMO) listing, see Appendix, p08-10.

Approximate Weight: 1,800 lbs / Crated 2,400 lbs