



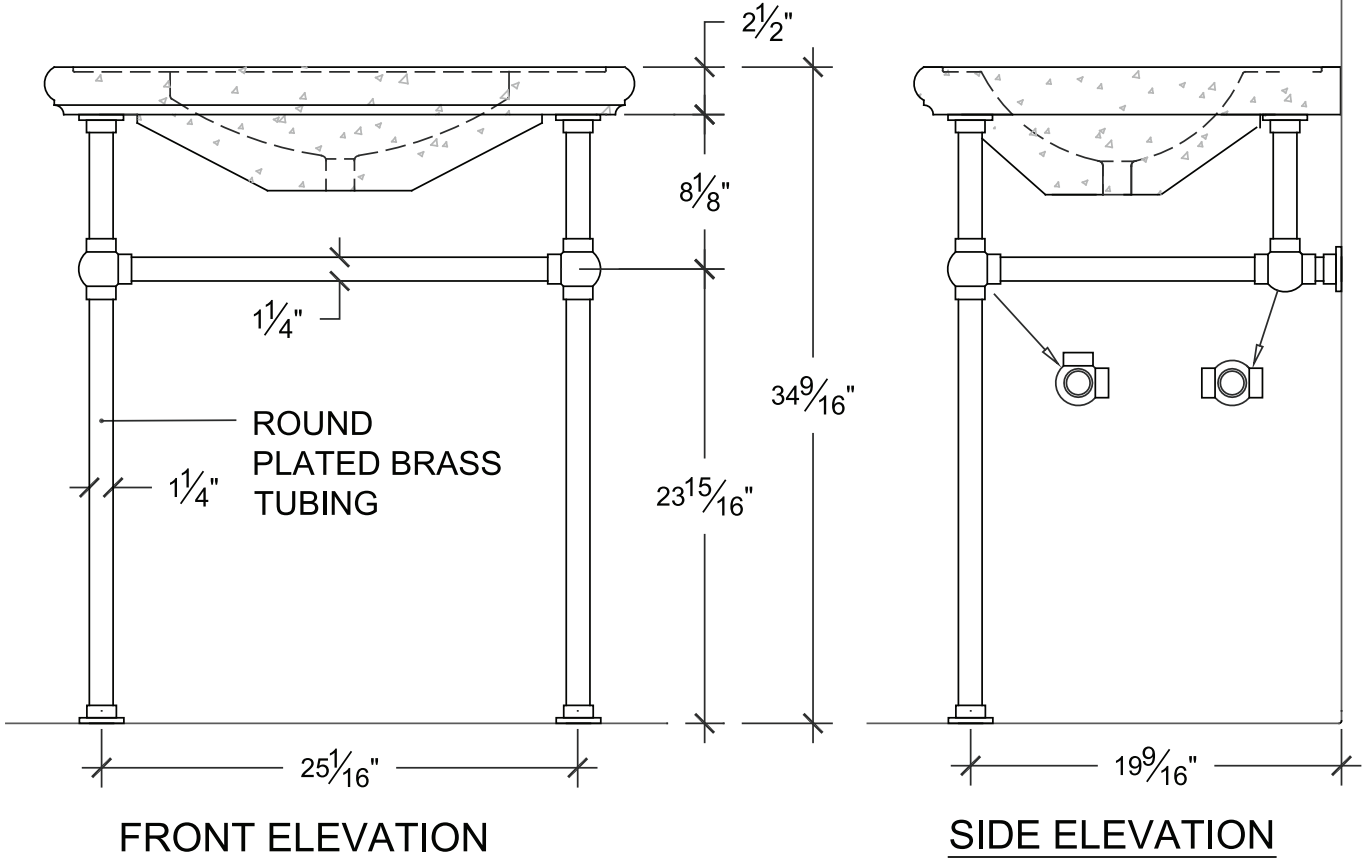
STANDARD PRODUCTS

SONOMA CAST STONE CORPORATION
 Makers of NuCrete™, The World's Only Stainless Concrete
 877.283.1897 • www.sonomastone.com



For more product info, or to download replacement forms, see: www.sonomastone.com

CountryClub Metal Stand



Designs ©2007 Sonoma Cast Stone Corp. All rights reserved.

Visit www.sonomastone.com to see photos of this and other products.

• DESCRIPTION

Traditional Metal Stand with Wall returns for use with our Country Club pre-cast concrete sink.

Console outside dimensions ~ 27 3/8" W X 32" H.

The Brass construction (Diameter 1 1/4").

Available in a variety of finishes.

• FACTS

Tubular brass construction in several finishes including Rustic Copper and Rustic Nickel. Custom finishes available as an option.

Approximate Weight: 16 lbs (stand only)

Sink sold separately.