

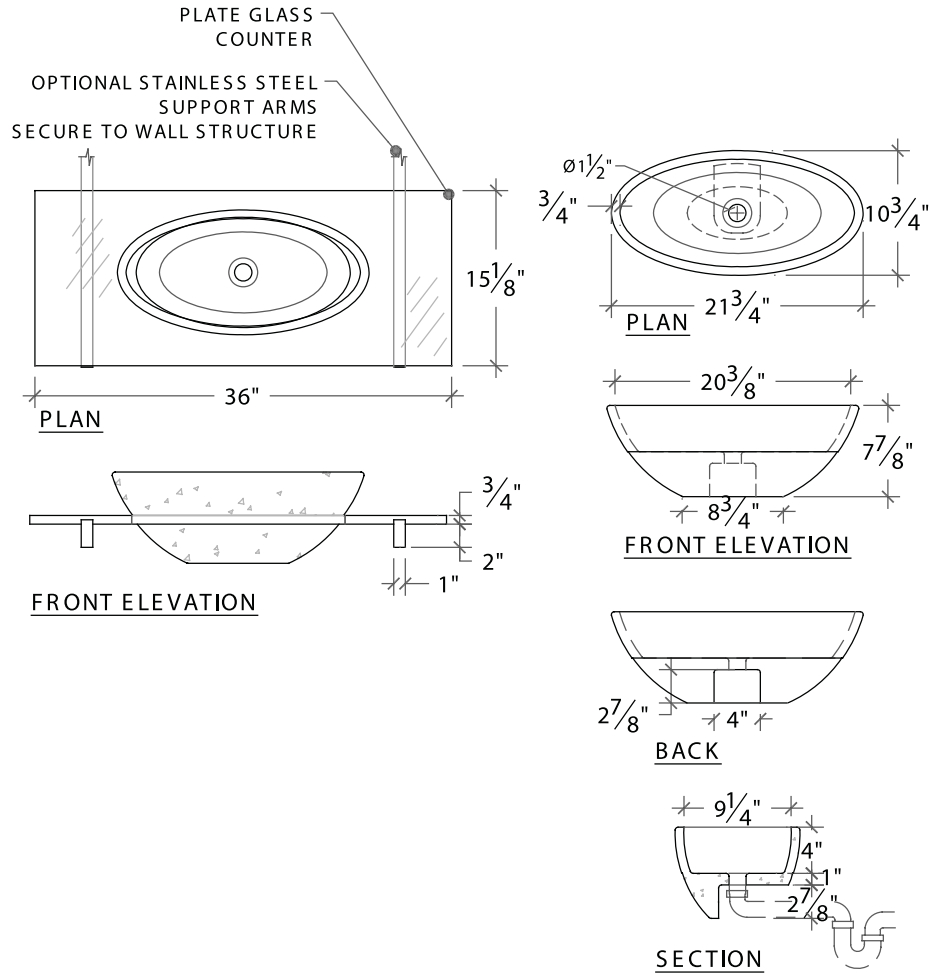
STANDARD PRODUCTS

SONOMA CAST STONE CORPORATION
 Makers of NuCrete™, The World's Only Stainless Concrete
 877.283.2400 • www.sonomastone.com



For more product info, or to download replacement forms, see: www.sonomastone.com

BreakThru (glass) BRKTHR-G



Designs ©2007 Sonoma Cast Stone Corp. All rights reserved.

Visit www.sonomastone.com to see photos of this and other products.



• DESCRIPTION

The original BreakThru on a hand forged steel base is gutsy and bold. It is ideal for that industrial look; ideal for lofts. Now, the same bowl on a safety glass counter takes on a much more refined look. From any angle you can see the bowl "breaking" through the glass. It is a masterpiece in minimalist design.

The drain connection is hidden in the body of the BreakThru. The necessary P-trap is hidden as it escapes into a wall drainage system. To service, a rear wall access or a front access panel is required.

Stainless or powder coated wall brackets are available as options.

• FACTS

Classic Concrete (diamond-sanded, sealed & waxed) or Stainless NuCrete™. 24 standard colors. See: www.sonomastone.com, catalog or techbinder. Custom colors available. Order samples online, or call 877-283-2400 x113.

Safety 1/2" plate glass counter.

Available with optional tubular stainless steel wall-mounted support arms (powder-coated colors optional)

Accommodates wall faucets only.

Drain hole fits most 1-1/4" standard drain assemblies (not included).

For UPC (IAPMO) listing, see Appendix, p08-10.

Approximate Weight: 84 lbs / Crated 188 lbs. (including glass countertop)