



STANDARD PRODUCTS

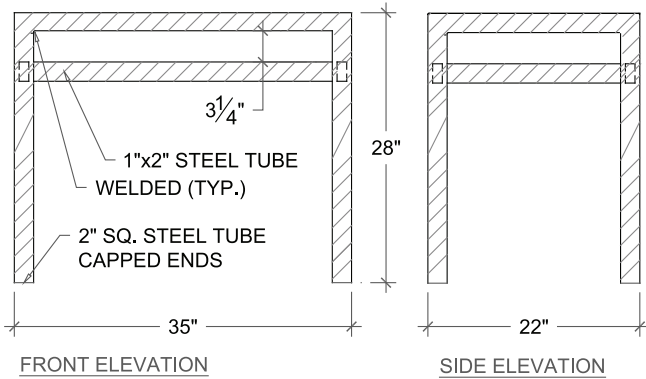
SONOMA CAST STONE CORPORATION
 Makers of NuCrete™, The World's Only Stainless Concrete
 877.283.1897 • www.sonomastone.com



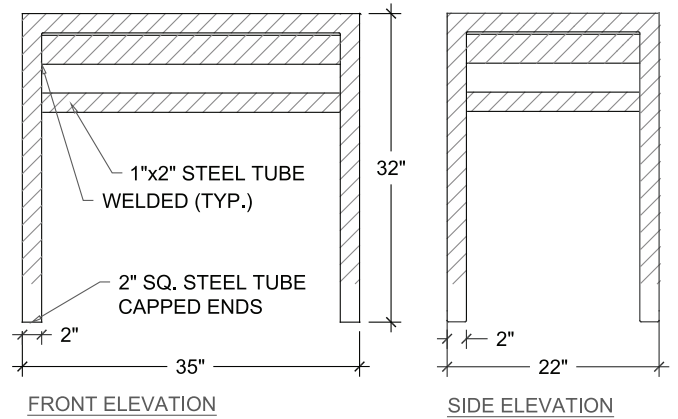
For more product info, or to download replacement forms, see: www.sonomastone.com

METAL STAND for P-Series P-STNDMTL

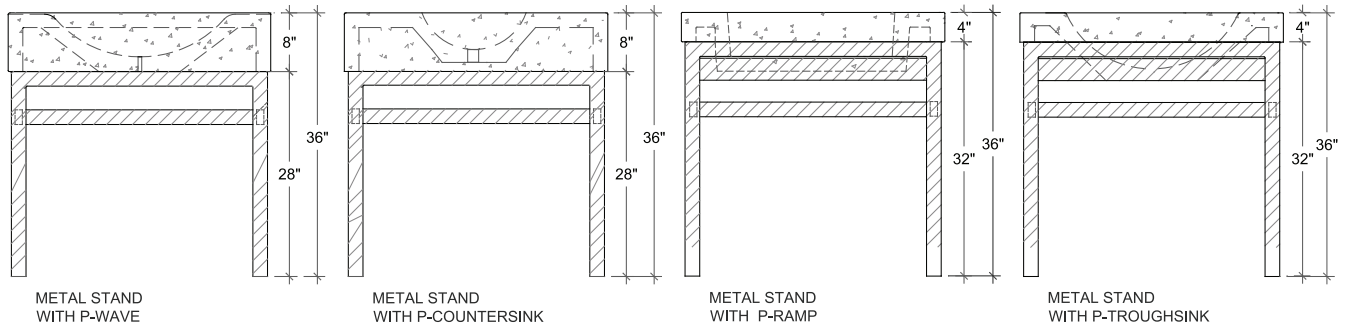
Sonoma Cast Stone offers optional stands of hardwood or powder-coated metal, hand-crafted and designed to complement our P-Series sinks. Sold separately.



P-COUNTERSINK & P-WAVE STAND



P-RAMP & P-TROUGHSINK STAND



Designs ©2007 Sonoma Cast Stone Corp. All rights reserved.

Visit www.sonomastone.com to see photos of this and other products.

• DESCRIPTION

- Standard Size steel stands for any P-Series sink option.
- Towel bar included.
- Comes standard in powder-coated dark bronze finish.
- Custom colors and sizes available upon request.
- Available in two heights to complement different P-Series models.

• FACTS

- Constructed of 2" square steel in powder-coated finish.
- Standard color is dark bronze.
- Custom colors are available.
- Available in stainless steel.
- Legs are capped at ends.
- Approximate Weight: 48 lbs / Crated: 94 lbs (for P-Wave)
- Approximate Weight: 60 lbs / Crated: 110 lbs (for P-Ramp)
- (not including optional sinks)