



STANDARD PRODUCTS

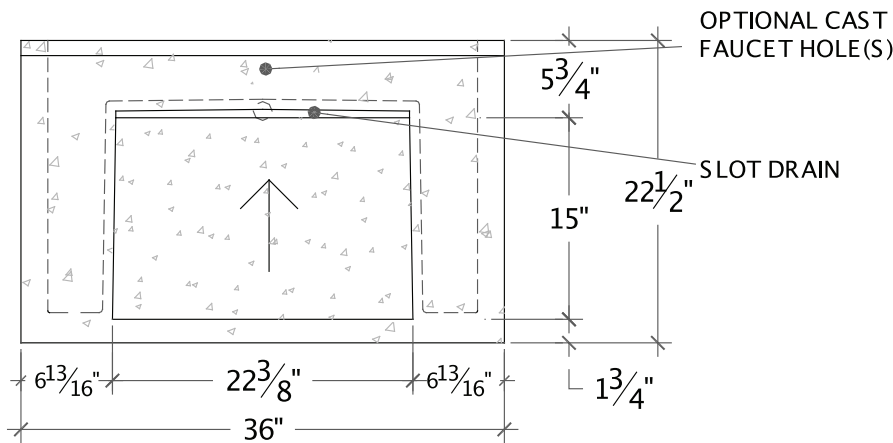
SONOMA CAST STONE CORPORATION
 Makers of NuCrete™, The World's Only Stainless Concrete
 877.283.1897 • www.sonomastone.com



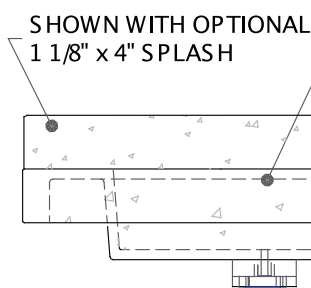
For more product info, or to download replacement forms, see: www.sonomastone.com

P-Series RampSink P-RMP

Sonoma Cast Stone offers optional stands of hardwood or powder-coated metal, hand-crafted and designed to complement our P-Series sinks. Sold separately.

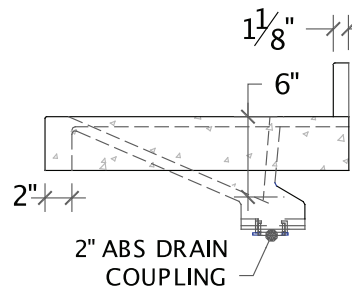


PLAN



FRONT ELEVATION

2" THICK CONC. COUNTER WITH INTEGRAL RAMPSINK, POLISHED FRONT & SIDE APRONS



SIDE ELEVATION

Designs ©2009 Sonoma Cast Stone Corp. All rights reserved.

Visit www.sonomastone.com to see photos of this and other products.



• DESCRIPTION

Standard integral Single RampSink™ with surrounding counter space. Hidden slot drain replaces a traditional drain assembly. Molds are in stock and ready to pour upon color selection and faucet placement instructions. This unit rests on designed cabinetry or on one of our specially made hardwood or modern metal stands (p07-08). The hardwood stands are available in smooth or distressed finish (stained or unstained options). Also available in a Standard Double-wide RampSink™ for master bath vanity size (p16). The RampSink™ is our most flexible design. The design can be modified in many ways for custom pieces. The “ramp” may slope sideways, from back to front or two ramps may overlap each other. This design is especially adaptable for commercial applications. Custom sizes are available.

Production time 4-5 weeks.

• FACTS

Classic Concrete (diamond-sanded, sealed & waxed) or Stainless Nucrete™. 24 standard colors. See: www.sonomastone.com, catalog or techbinder. Custom colors available. Order samples online, or call 877-283-2400 x113.

Optional Back Splash available. May be cabinet or wall-mounted.

Specially designed metal or wood stands sold separately.

Custom cabinets available. Faucet holes optional to your specification. May use deck or wall-mount faucets.

The slot drain couples to conventional 1-1/4” drain assemblies.

For UPC (IAPMO) listing, see Appendix, p08-10.

Approximate Weight: 200 lbs / Crated 335 lbs (not including optional stand)