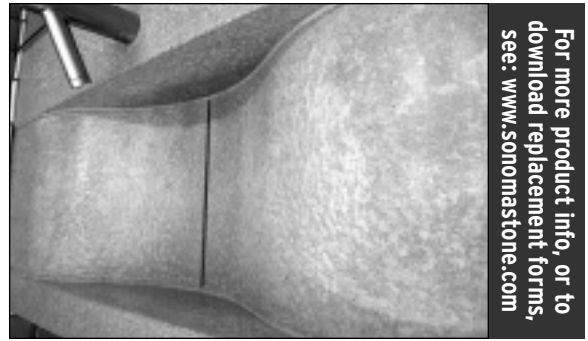


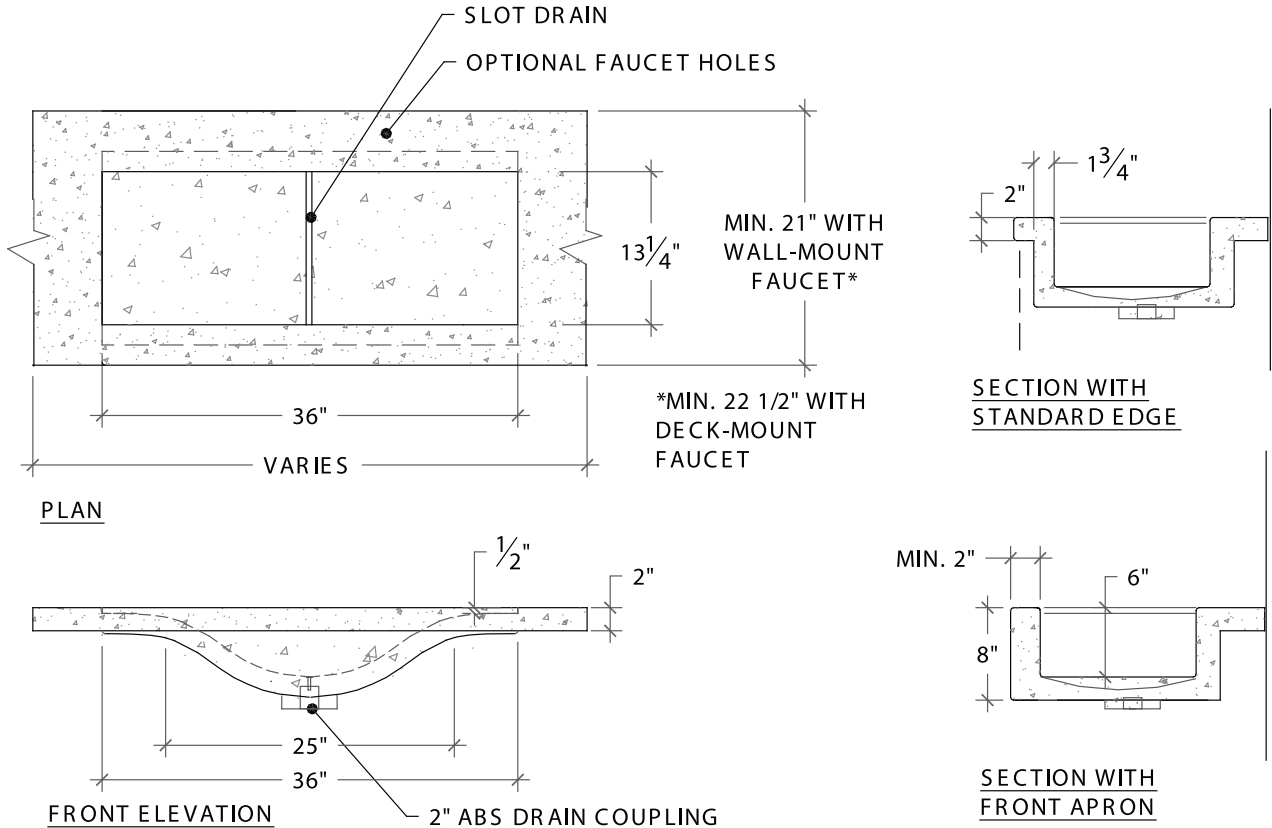
CUSTOM RESIDENTIAL PRODUCTS

SONOMA CAST STONE CORPORATION
 Makers of NuCrete™, The World's Only Stainless Concrete
 877.283.1897 • www.sonomastone.com



For more product info, or to download replacement forms, see: www.sonomastone.com

Custom Single WaveSink, Residential



Designs ©2007 Sonoma Cast Stone Corp. All rights reserved.

Visit www.sonomastone.com to see photos of this and other products.



• DESCRIPTION

Custom cast concrete countertop to your specification with integral Single WaveSink. Ideal for a powder rooms or master bathroom suite in a home or in a fine luxury hotel.

Employs our trademark slot drain design, converting the standard round drain into an IAPMO approved feature which allows for constant drainage without soap build up or standing water areas. Slot drain replaces traditional drain assembly, so there is no visible hardware. Optional rectangular shaped backsplash available or a special wave backsplash matches the contours of the sink "wave".

Custom ADA Compliant versions available with up to five WaveSinks for Commercial applications.

• FACTS

Classic Concrete (diamond-sanded, sealed & waxed) or Stainless Nucrete™. 24 standard colors. See: www.sonomastone.com, catalog or techbinder. Custom colors available. Order samples online, or call 877-283-2400 x113.

Optional Back and Side Splash (Simple or Wave) available. Faucet Holes optional. May use deck-mount or wall-mount faucets.

The slot drain couples to conventional 1-1/4" drain assemblies.

May be cabinet or wall-mounted. Aprons up to 8" available.

Allow for thickened front apron on counters spanning more than 36" unsupported.

Allow min. 3" counter ea. side of sink and sink and min. of 5-1/2" counter at faucet side of sink for deck-mount faucets.

For UPC (IAPMO) listing, see Appendix, p08-10.

Weight varies by design.