

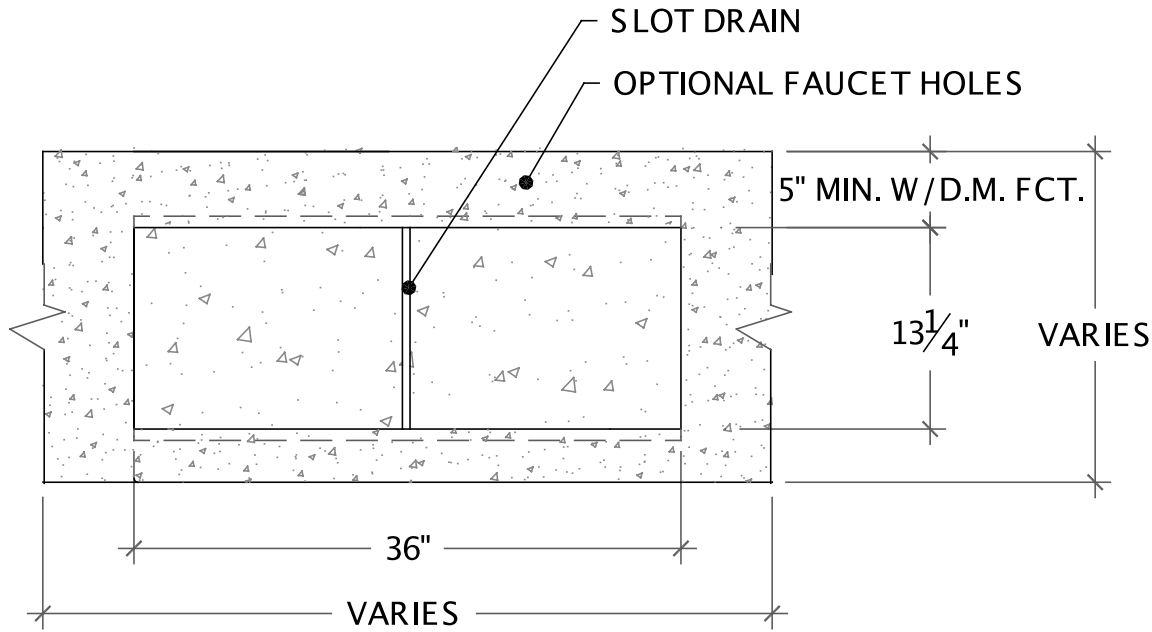


SONOMA CAST STONE / 877.283.2400

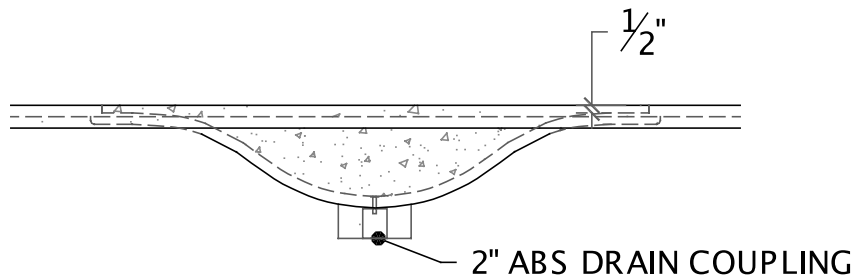
CUSTOM BATH PRODUCTS

Visit www.sonomastone.com to see photos.
Designs ©2009 Sonoma Cast Stone Corp. All rights reserved.

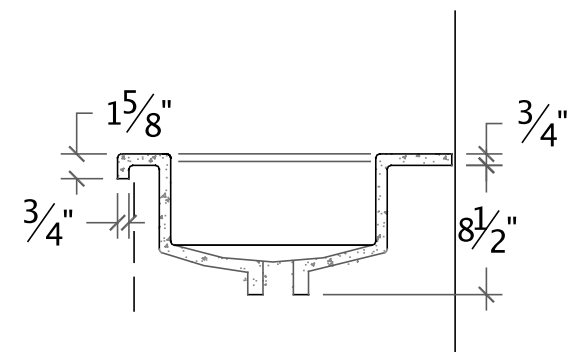
MODEL: INTEGRAL WAVE - RES SINGLE - 1336-6



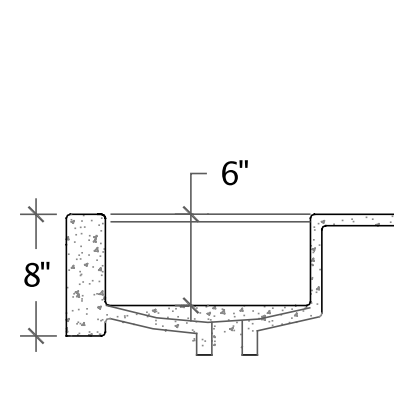
PLAN



FRONT ELEVATION



SECTION WITH
STANDARD EDGE



SECTION WITH
8" FRONT APRON



SONOMA CAST STONE / 877.283.2400

CUSTOM BATH PRODUCTS

Visit www.sonomastone.com to see photos.
Designs ©2009 Sonoma Cast Stone Corp. All rights reserved.

MODEL: INTEGRAL WAVE - RES DOUBLE - 1376-6

