

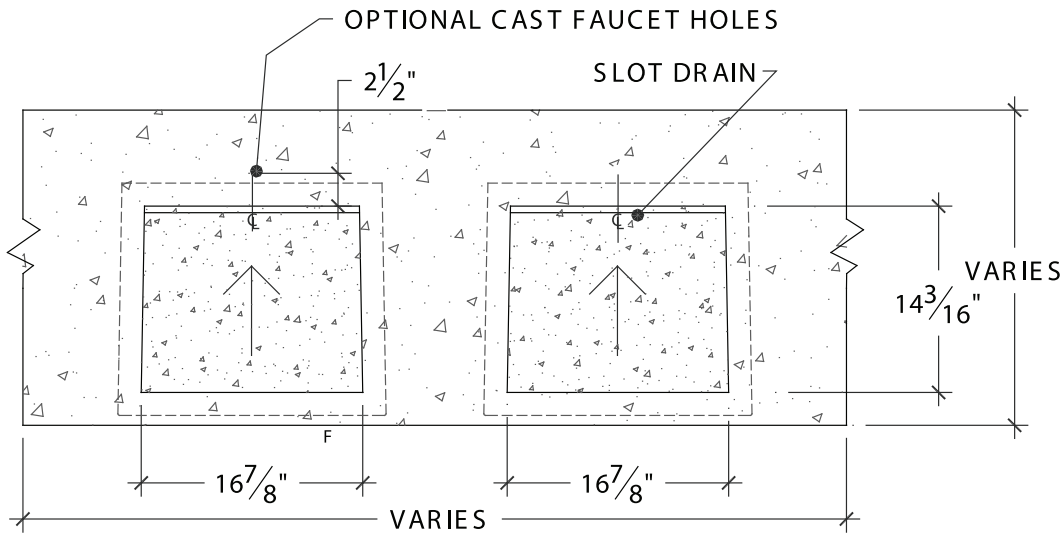
CUSTOM RESIDENTIAL PRODUCTS

SONOMA CAST STONE CORPORATION
 Makers of NuCrete™, The World's Only Stainless Concrete
 877.283.1897 • www.sonomastone.com

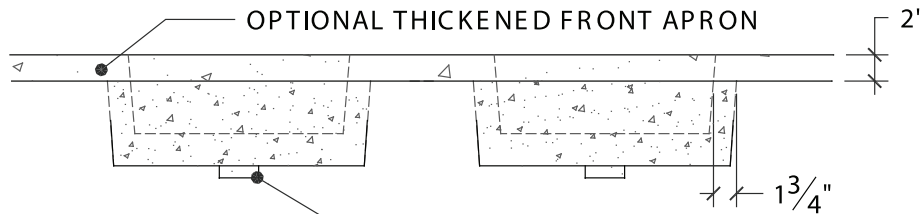


For more product info, or to download replacement forms, see: www.sonomastone.com

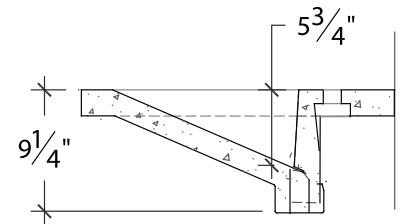
Custom RampSink™ Rear-Sloping



PLAN



FRONT ELEVATION



SECTION @ DRAIN

EXAMPLE - TWO INTEGRAL RMP-1714-B RAMPSINKS IN CUSTOM COUNTERTOP

Designs ©2007 Sonoma Cast Stone Corp. All rights reserved.

Visit www.sonomastone.com to see photos of this and other products.



• DESCRIPTION

Custom cast concrete countertop to your specification with integral rear-sloping RampSink™. Allows for constant drainage without soap build up or standing water areas. Slot drain replaces traditional drain assembly, so there is no visible hardware. Can be specified to accept multiple deck or wall-mount faucets. The RampSink™ is our most flexible design.

The design can be modified in many ways for custom pieces. The "ramp" may slope sideways, from back to front or two ramps may overlap each other. Custom sizes are available. This design is especially adaptable for ADA Compliant commercial applications.

Standard size sinks shown in chart on (p07).

• FACTS

Classic Concrete (diamond-sanded, sealed & waxed) or Stainless Nucrete™. 24 standard colors. See: www.sonomastone.com, catalog or techbinder. Custom colors available. Order samples online, or call 877-283-2400 x113.

Back and Side Splash optional. Faucet Holes pre-cast to customer specifications. May use deck-mount or wall-mount faucets. The slot drain couples to conventional 1-1/4" drain assemblies. May be cabinet or wall-mounted. Allow for thickened front apron on counters spanning more than 36" unsupported. Allow min. 3" counter each side of sink and min. of 5-1/2" counter at rear of sink for deck-mount faucets.

Aprons up to 8" available.

For UPC (IAPMO) listing, see Appendix, p08-10.

Weight varies by design.