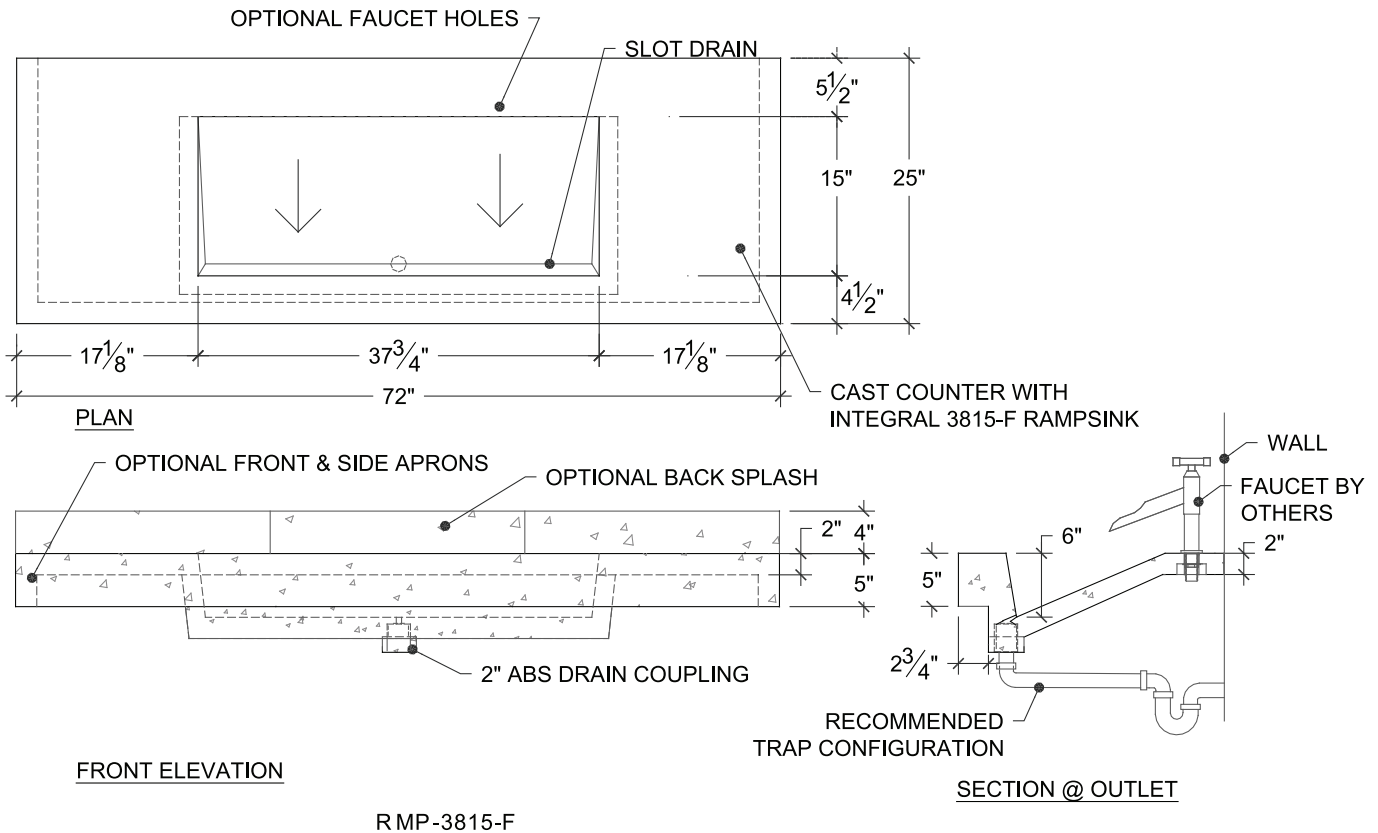


CUSTOM RESIDENTIAL PRODUCTS

SONOMA CAST STONE CORPORATION
 Makers of NuCrete™, The World's Only Stainless Concrete
 877.283.1897 • www.sonomastone.com

For more product info, or to download replacement forms, see: www.sonomastone.com

Custom RampSink, Front-Sloping



Designs ©2007 Sonoma Cast Stone Corp. All rights reserved.

Visit www.sonomastone.com to see photos of this and other products.



• DESCRIPTION

Custom cast concrete countertop to your specification with integral front-sloping RampSink™. Allows for constant drainage without soap build up or standing water areas. Slot drain replaces traditional drain assembly, so there is no visible hardware.

Can be specified to accept multiple deck or wall-mount faucets.

Standard size sinks shown in chart on (p07).

Custom size sinks also available.

• FACTS

Classic Concrete (diamond-sanded, sealed & waxed) or Stainless Nucrete™. 24 standard colors. See: www.sonomastone.com, catalog or techbinder. Custom colors available. Order samples online, or call 877-283-2400 x113.

Back and Side Splash optional. Faucet Holes pre-cast to customer specifications. May use deck- or wall-mount faucets. The slot drain couples to conventional 1-1/4" drain assemblies. May be cabinet or wall-mounted.

Aprons up to 8" available. Allow for thickened front apron on counters spanning more than 36" unsupported. Allow min. 3" counter ea. side of sink and min. of 5-1/2" counter at faucet side of sink for deck-mount faucets.

For UPC (IAPMO) listing, see Appendix, p08-10.

Weight varies by design.

TECHBINDER 070201 / CUSTOM RESIDENTIAL / PAGE 03

SEE WWW.SONOMASTONE.COM FOR PHOTOS AND ADDITIONAL INFORMATION ON THIS PRODUCT