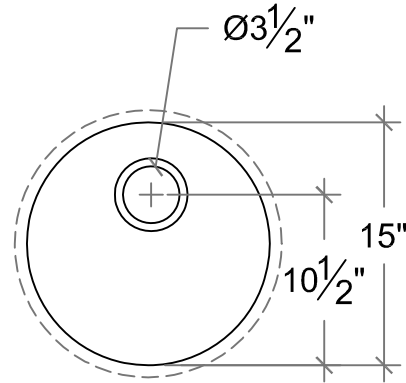
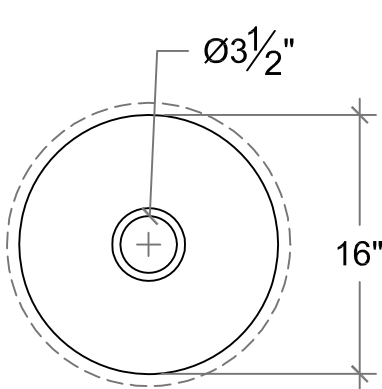


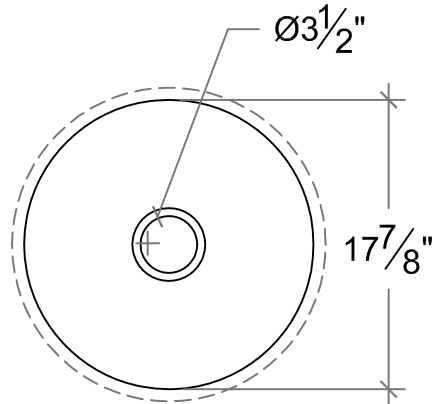
KS-0915



KS-15D



KS-16D



KS-18D



SONOMA CAST STONE
CORPORATION
133 COPELAND STREET PETALUMA, CA 94952
707-283-1888
FAX 707-283-1899

INTEGRAL ROUND BAR/ PREP SINKS