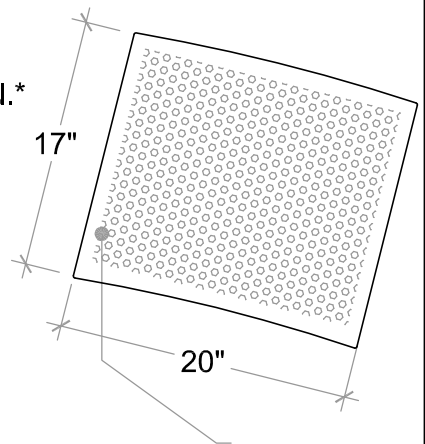
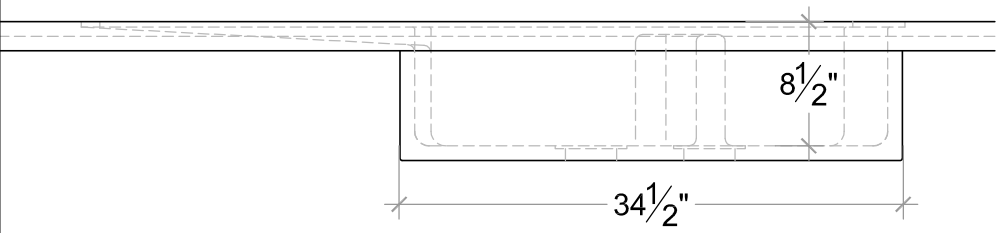


PLAN

* TYPICAL MINIMUM DIMENSIONS, DEPENDING ON CABINET & FAUCET CONFIGURATION

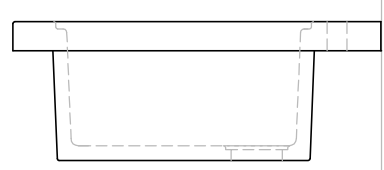


SLIDING STAINLESS RINSE BOARD



FRONT ELEVATION

@ WIDEST POINT



RIGHT ELEVATION

CUSTOM CAST CURVED COUNTER WITH INTEGRAL CURVED DOUBLE CHEFSINK



SONOMA CAST STONE CORPORATION
 133 COPELAND STREET PETALUMA, CA 94952
 707-283-1888
 FAX 707-283-1899

CURVED CHEFSINK