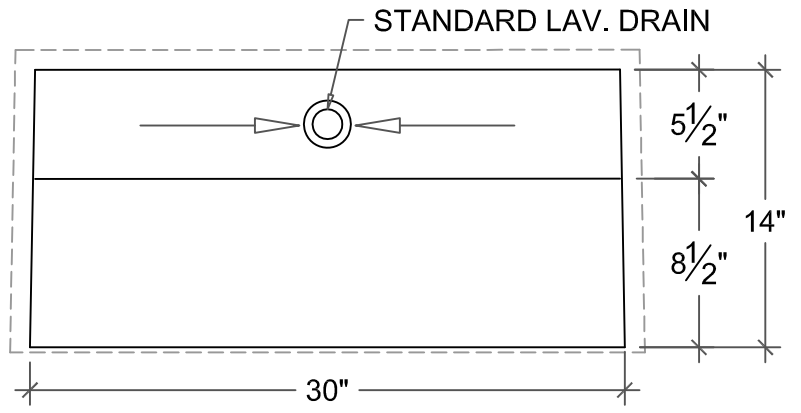
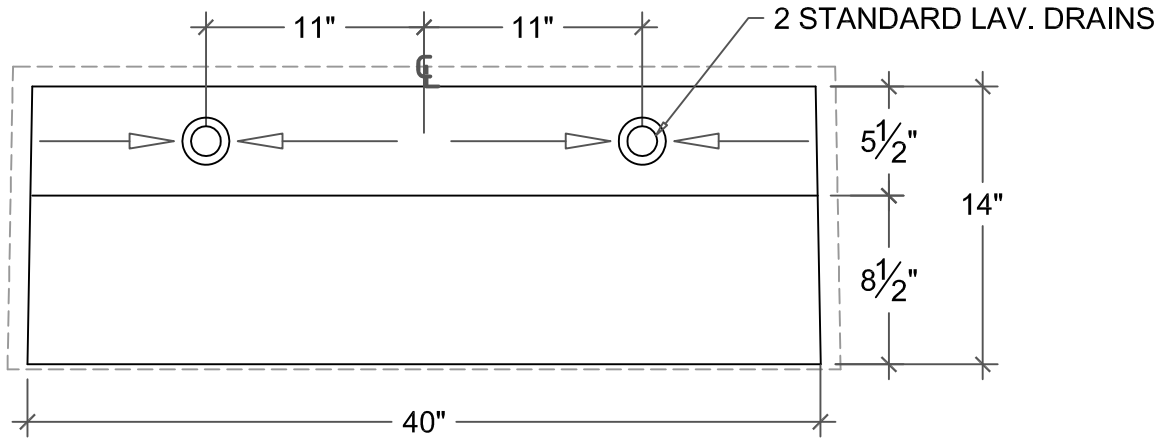


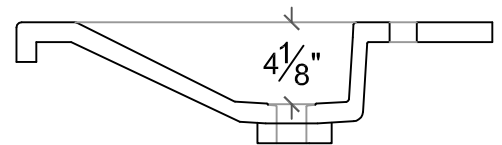
Model RMP-1614-SD



Model RMP-3014-SD



Model RMP-4014-SD



TYP. SECTION @ DRAIN



SONOMA CAST STONE CORPORATION  
 133 COPELAND STREET PETALUMA, CA 94952  
 707-283-1888  
 FAX 707-283-1899

FLAT BOTTOM RAMPSINKS  
 WITH STANDARD DRAIN