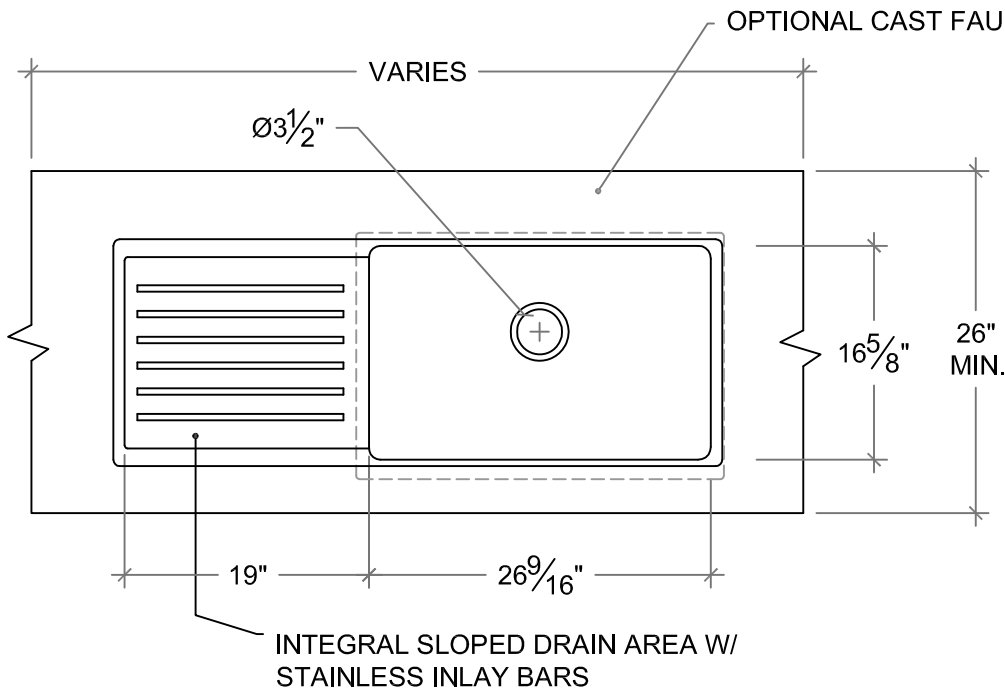
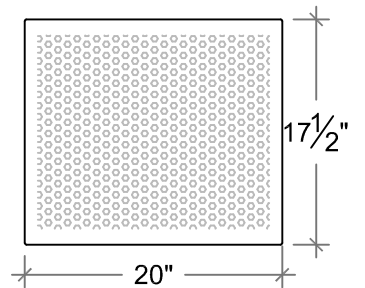


# CUSTOM CAST COUNTER WITH INTEGRAL SINGLE CHEFSINK

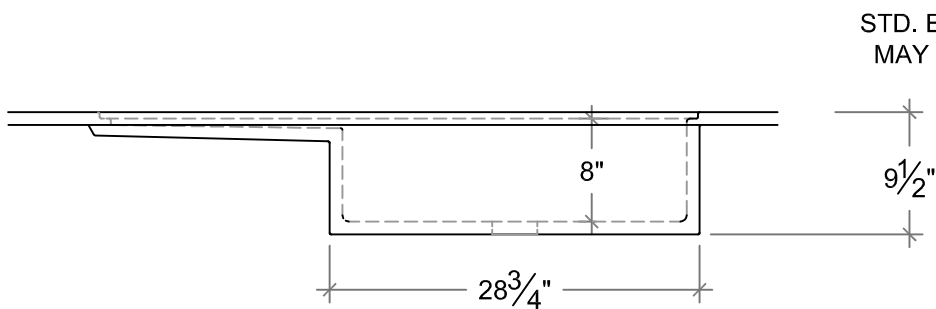


PLAN

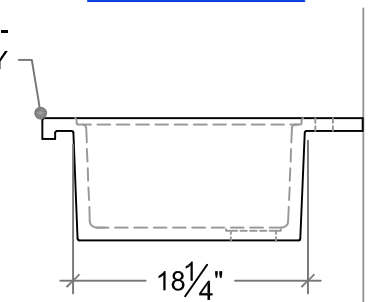
\*24" MIN. W/  
WALL-MOUNT  
FAUCET



SLIDING  
STAINLESS  
RINSE BOARD



FRONT ELEVATION



RIGHT ELEVATION



**SONOMA CAST STONE**  
CORPORATION  
133 COPELAND STREET PETALUMA, CA 94952  
707-283-1888  
FAX 707-283-1899

## SINGLE INTEGRAL CHEFSINK MODEL CHF-SGL

ESTIMATE #

DATE : 6/17/2010

DRAWN BY: CF

EST. REVISION #

DWG REVISION #

SHEET #