

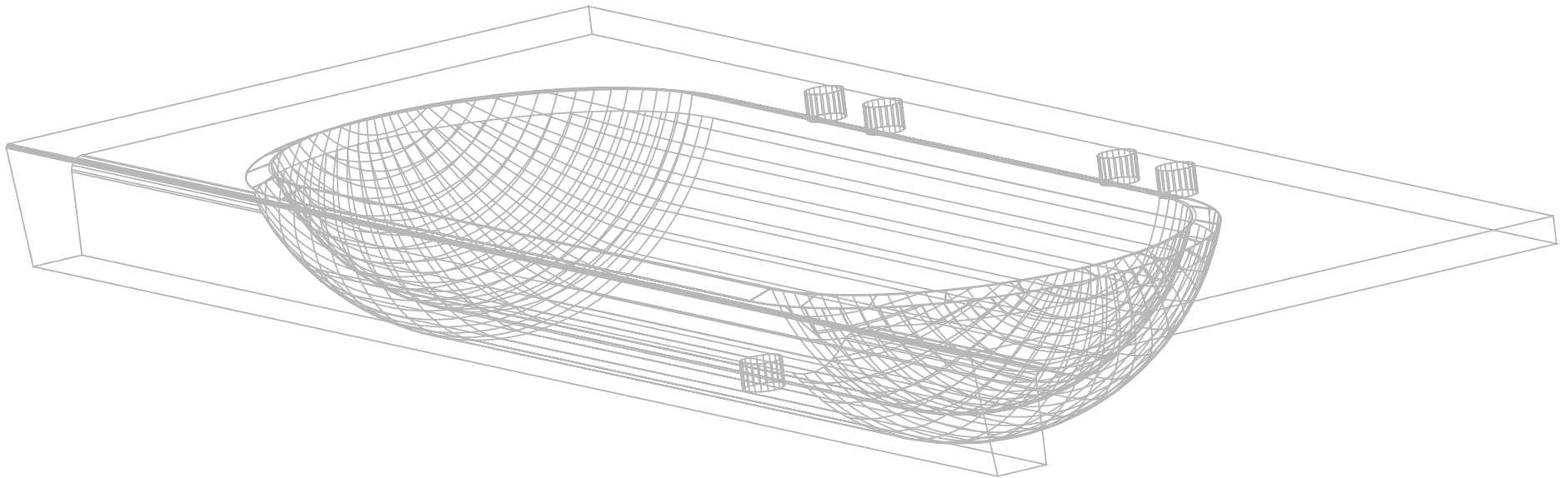


SONOMA CAST STONE / 877.283.2400

COMMERCIAL BATH PRODUCTS

Visit www.sonomastone.com to see photos.
Designs ©2009 Sonoma Cast Stone Corp. All rights reserved.

MODEL: TROUGH - COMMERCIAL - 3D



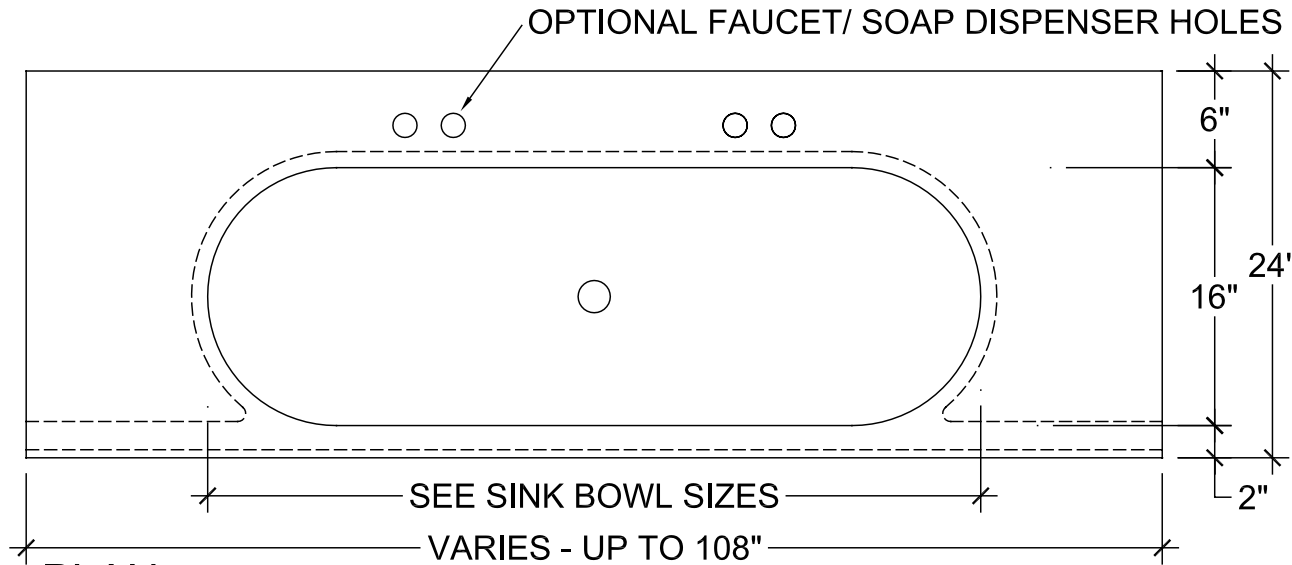


SONOMA CAST STONE / 877.283.2400

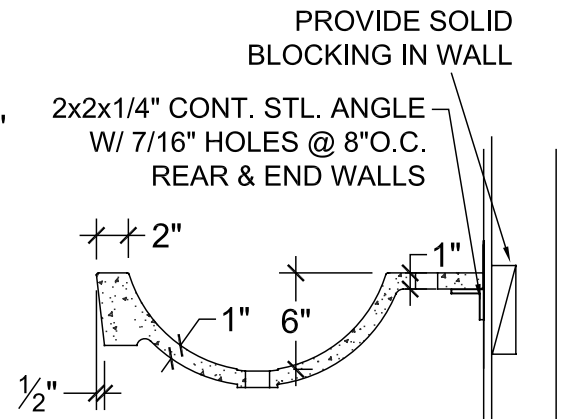
COMMERCIAL BATH PRODUCTS

Visit www.sonomastone.com to see photos.
Designs ©2009 Sonoma Cast Stone Corp. All rights reserved.

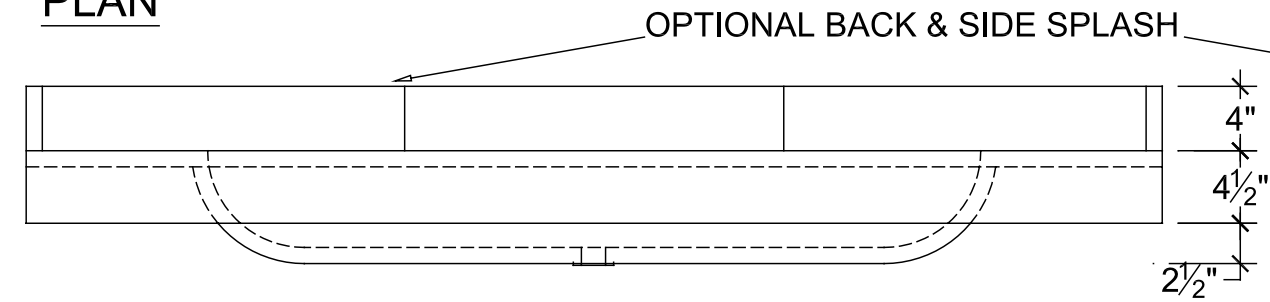
MODEL: TROUGH - COMMERCIAL - ADA



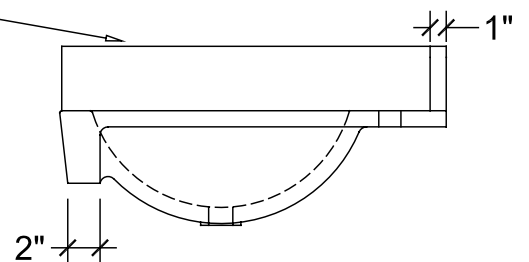
PLAN



SECTION @ DRAIN



FRONT ELEVATION



RIGHT ELEVATION

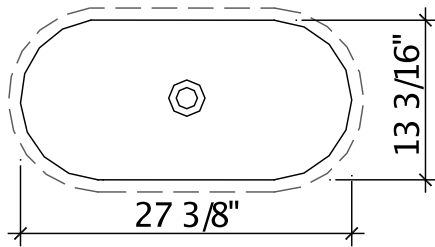


SONOMA CAST STONE / 877.283.2400

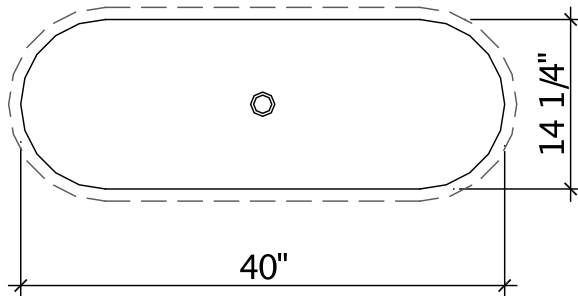
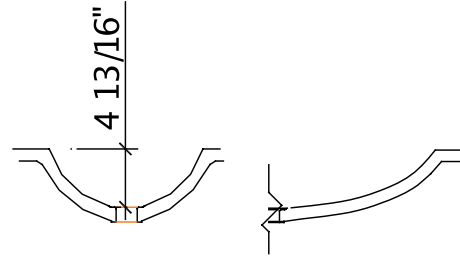
COMMERCIAL BATH PRODUCTS

Visit www.sonomastone.com to see photos.
Designs ©2009 Sonoma Cast Stone Corp. All rights reserved.

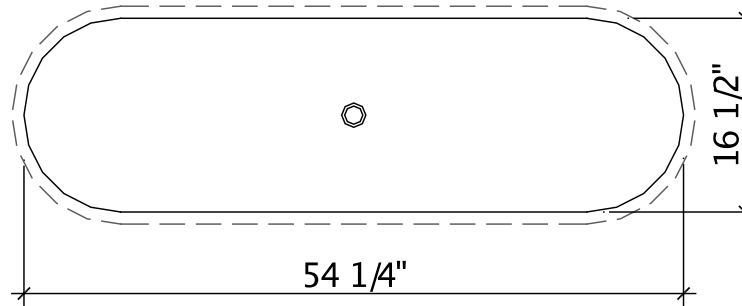
MODEL: TROUGH - COMMERCIAL - SIZES



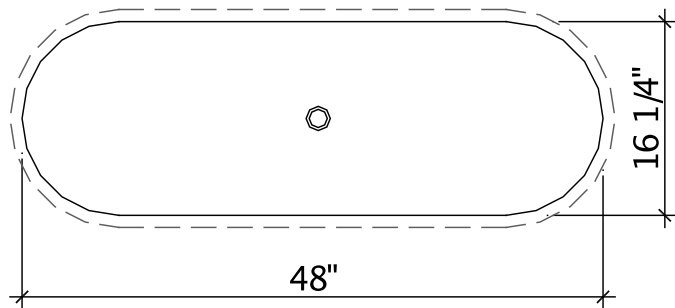
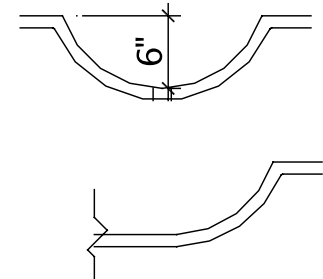
TS-1327 (1 FAUCET)



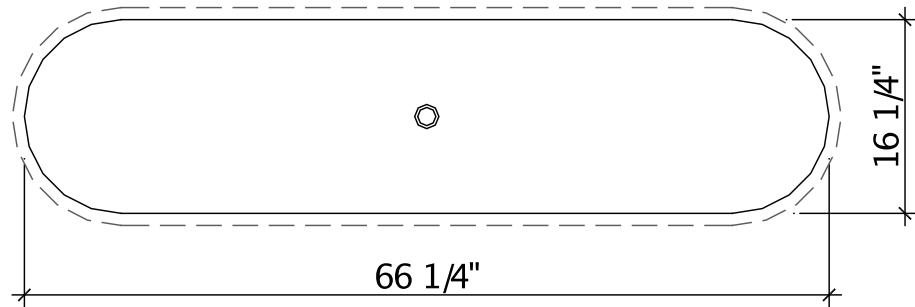
TS-1440 (1 OR 2 FAUCETS)



TS-1654 (1 OR 2 FAUCETS)



TS-1648 (1 OR 2 FAUCETS)



TS-1666 (1 - 3 FAUCETS)