

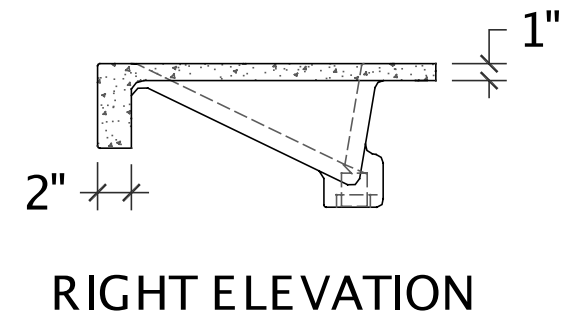
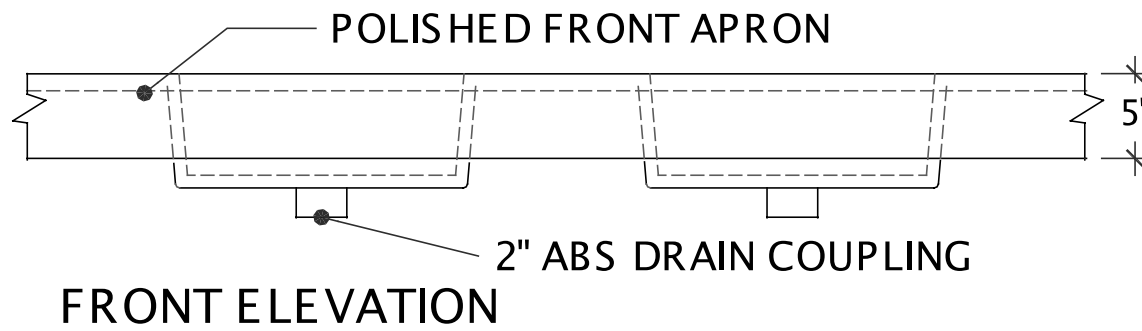
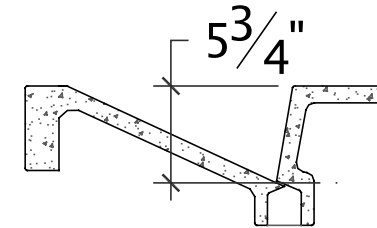
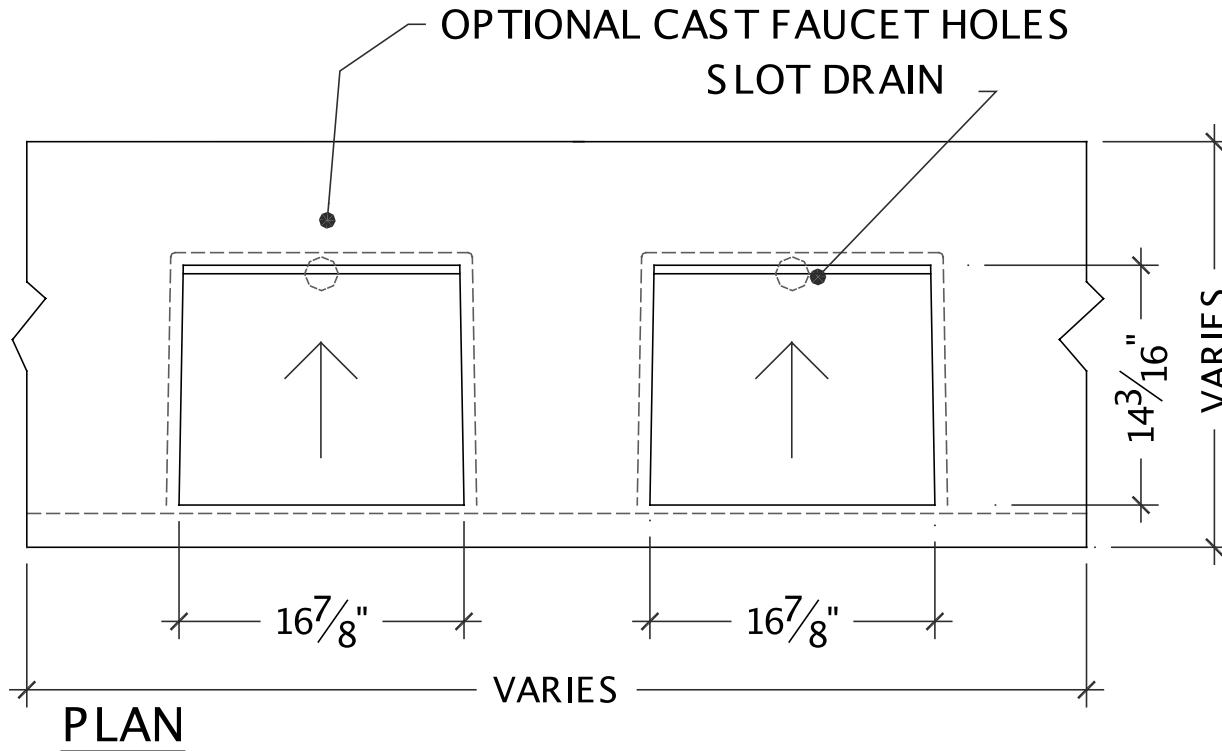


SONOMA CAST STONE / 877.283.2400

# COMMERCIAL BATH PRODUCTS

Visit [www.sonomastone.com](http://www.sonomastone.com) to see photos.  
Designs ©2009 Sonoma Cast Stone Corp. All rights reserved.

MODEL: RAMP - COMMERCIAL - EXAMPLE MULTIPLES - 1714 X 2



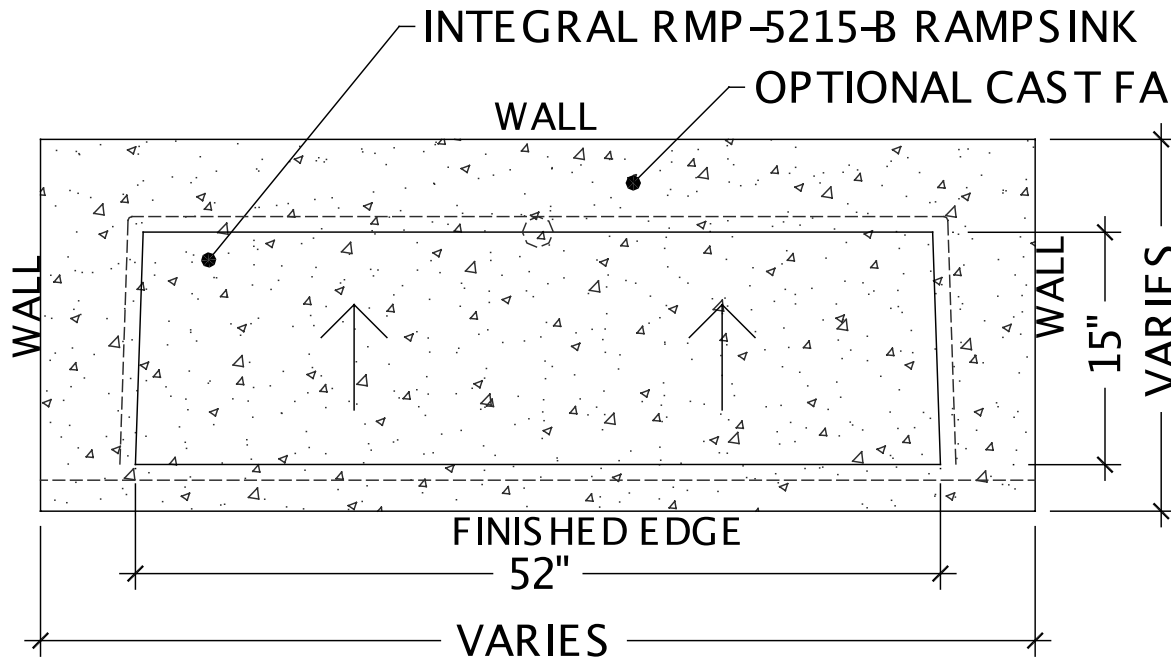


SONOMA CAST STONE / 877.283.2400

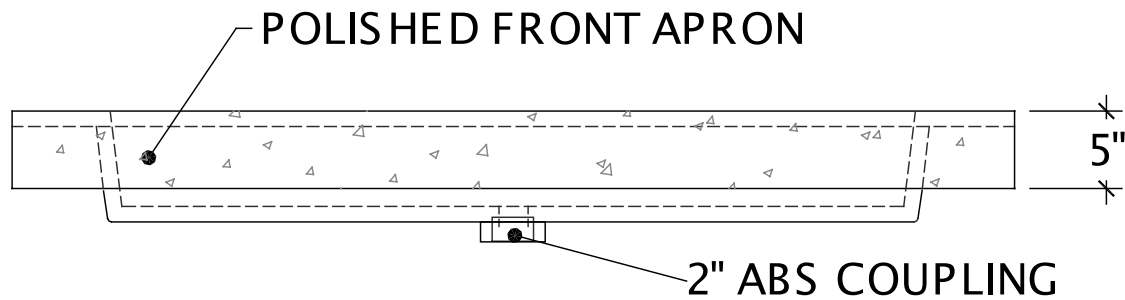
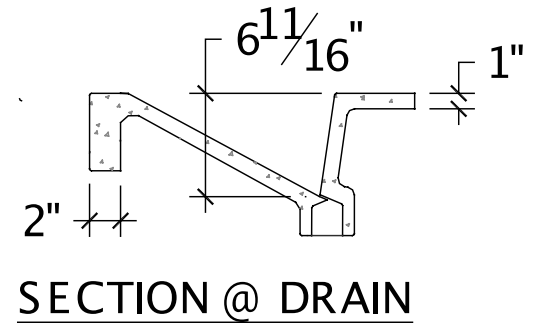
# COMMERCIAL BATH PRODUCTS

Visit [www.sonomastone.com](http://www.sonomastone.com) to see photos.  
Designs ©2009 Sonoma Cast Stone Corp. All rights reserved.

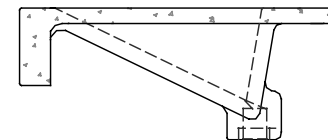
## MODEL: RAMP - COMMERCIAL - EXAMPLE DBLWIDE - 5215B



PLAN



FRONT ELEVATION



RIGHT ELEVATION