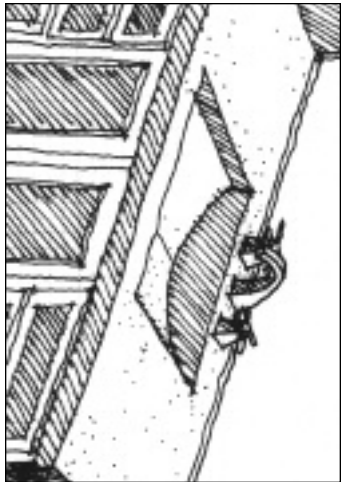


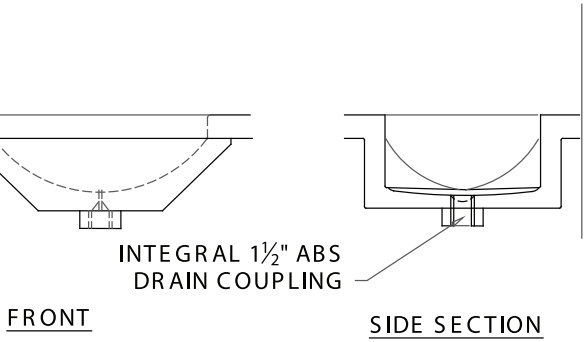
# CUSTOM RESIDENTIAL PRODUCTS

SONOMA CAST STONE CORPORATION  
Makers of NuCrete™ The World's Only Stainless Concrete  
877.283.1897 • [www.sonomastone.com](http://www.sonomastone.com)

Custom Countersinks, Rectangular w/Slot Drain

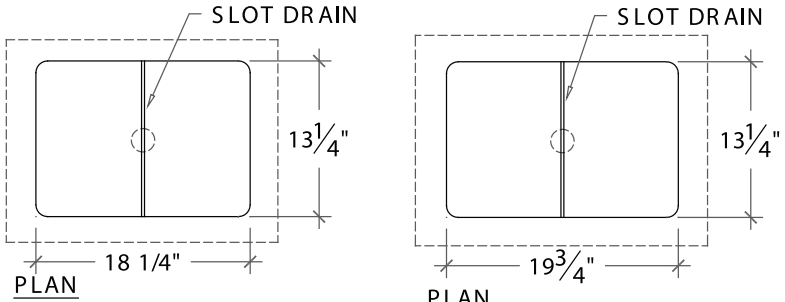


For more product info, or to download replacement forms, see: [www.sonomastone.com](http://www.sonomastone.com)



FRONT

SIDE SECTION

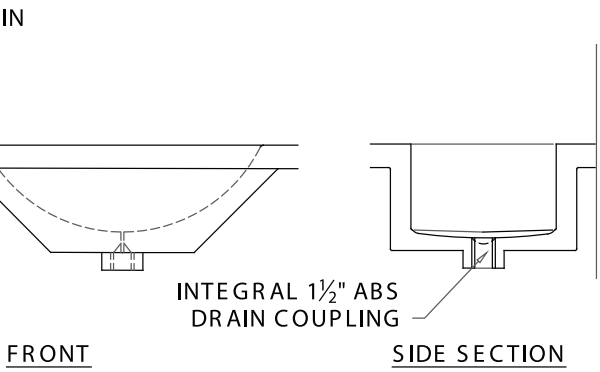


PLAN

PLAN

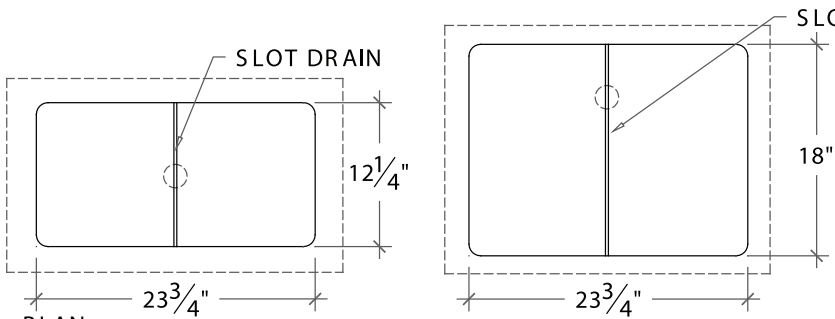
CS-1813-SD  
6 3/8" DEEP

CS-1913-SD  
7" DEEP



FRONT

SIDE SECTION



PLAN

PLAN

CS-2312-SD  
7 1/2" DEEP

CS-2418-SD  
7 1/2" DEEP

