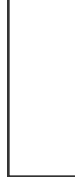




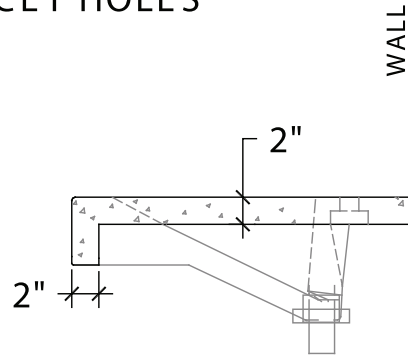
CUSTOM COMMERCIAL PRODUCTS

SONOMA CAST STONE CORPORATION
Makers of NuCrete™ - The World's Only Stainless Concrete
877.283.1897 • www.sonomastone.com

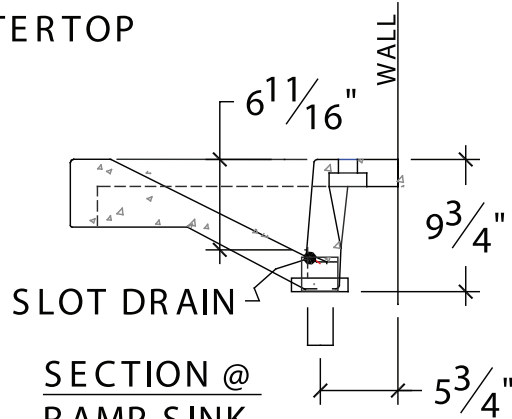
CUSTOM RampSink™ - REAR-SLOPING - COMMERCIAL
(Single Width Integral Sinks)



For more product info, or to download replacement forms, see: www.sonomastone.com



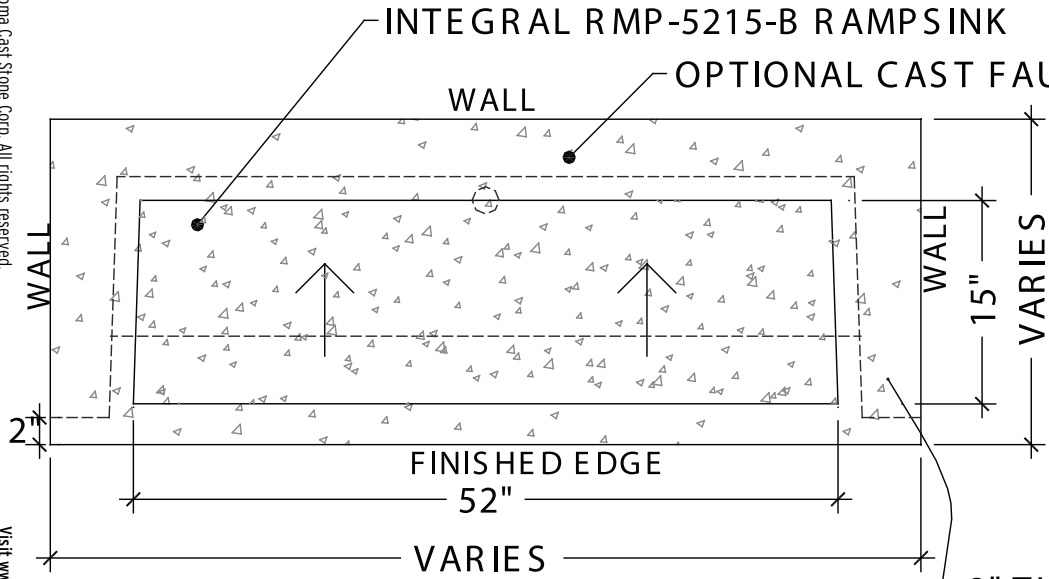
SECTION @ COUNTER END



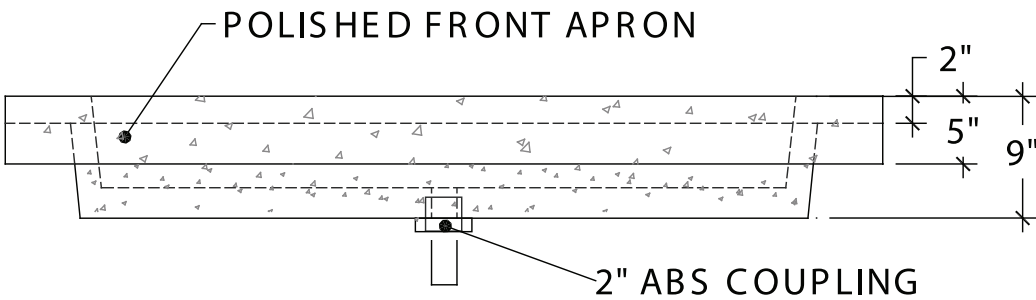
SLOT DRAIN

SECTION @ RAMP SINK

2" THICK CONC. COUNTERTOP



PLAN



FRONT ELEVATION

2" ABS COUPLING

POLISHED FRONT APRON

INTEGRAL RMP-5215-B RAMPSINK

OPTIONAL CAST FAUCET HOLES

WALL

WALL

15"

VARIABLES

FINISHED EDGE
52"

VARIABLES

WALL

2"

Designs ©2007 Sonoma Cast Stone Corp. All rights reserved.

Visit www.sonomastone.com to see photos of this and other products.

