

Double RampSink



Makers of NuCrete™
The World's Only Stainless Concrete



The RampSink is Perhaps the Most Versatile of Our CounterSinks

With this enigmatic creation, water flows down the ramp and vanishes into an obscured slot drain. The geometric lines of the RampSink make it a natural selection for the most contemporary of buildings or homes. In natural tones, these sinks are reminiscent of Tuscan laundry sinks, and the overall shape begs pairing with our WaterBridge or Streamliner faucets.

Color, faucet placement and countertop area can be modified to meet your requirements. RampSinks can be made to "float" between walls or fit on conventional cabinetry.

- As a single basin, twin or double configuration.
- In Classic Concrete, diamond sanded, sealed and waxed or stainless NuCrete™.
- No visible hardware, slot drain replaces traditional drain.
- Can be mounted on standard cabinetry or "floated" between walls.
- Custom-made in a wide selection of colors.
- Models are available for commercial application.
- All are ADA-compliant and are IAPMO listed.





CUTSHEET

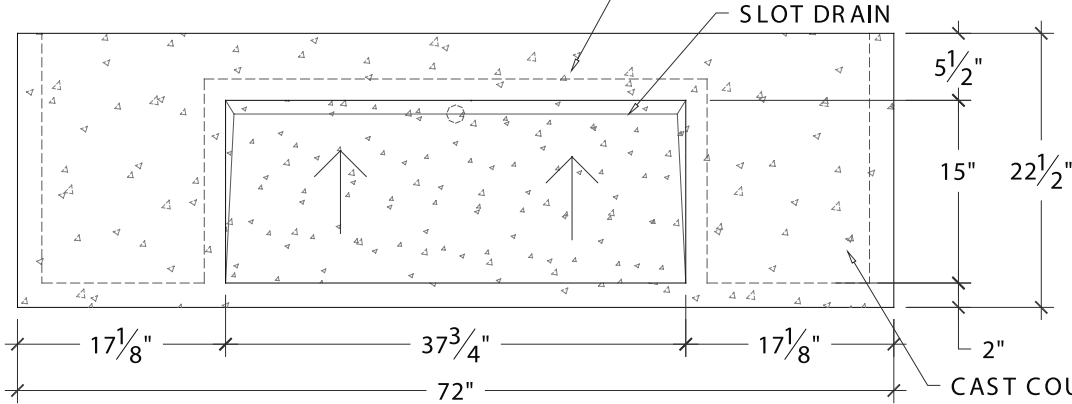
SONOMA CAST STONE CORPORATION
 Makers of NuCrete™, The World's Only Stainless Concrete
 877.283.2400 www.sonomastone.com



For more product info, or to download replacement forms, see: www.sonomastone.com

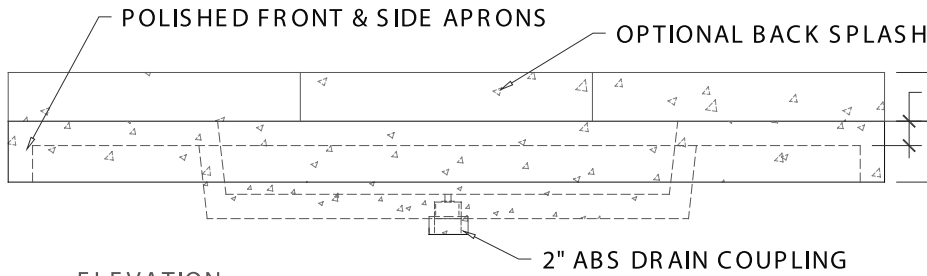
Double Wide RampSink RMP-RES-2

OPTIONAL FAUCET HOLES (PLEASE SPECIFY)

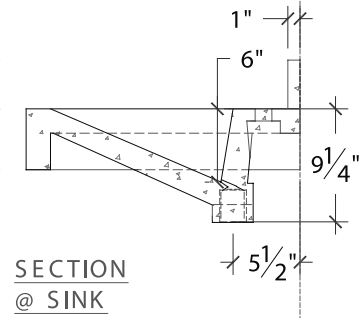


CAST COUNTER WITH INTEGRAL 3815-B RAMPSINK

PLAN VIEW



ELEVATION



SECTION @ SINK

Designs © Sonoma Cast Stone Corp. 2006. All rights reserved.

• DESCRIPTION

Custom cast concrete countertop to your specifications with integral rear sloped sink. Slot drain replaces traditional drain assembly, so there is no visible hardware. Sinks are standard sizes shown in chart below. Custom sizes also available. RampSinks offered in standard diamond sanded, sealed, and waxed or stainless NuCrete™.

Sonoma Cast Stone also produces tiles, pavers, surrounds, and more. For photographs, visit www.sonomastone.com.

• FACTS

Comes standard in Classic Concrete. Also available in NuCrete™. In any of our standard colors. Custom colors are available. See catalog or www.sonomastone.com for color charts. Call for material samples: 877.283.2400, x113

May be cabinet mounted or wall mounted. Allow for Thickened Front Apron on counters spanning more than 36" unsupported. Allow a min. of 3" each side of sink. Allow a min. of 5 1/2" at rear of sink for deckmount Faucets. Allow min. 2 1/2" in front of sink if No Apron. Allow min. 1" in front if Apron included. Aprons can be cast up to 8". ADA compliant designs are available for commercial applications.

Complies with IAPMO PS99-04