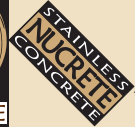


Ofuro

The Japanese Soaking Tub from Sonoma Cast Stone



Makers of NuCrete™
The World's Only Stainless Concrete



Over the centuries the Japanese have learned the marvels of soaking away the worries of life. We have taken the function and moved it into a breathtakingly beautiful indoor bathroom sculpture while still retaining the Japanese name - Ofuro. This soaking tub is made of NuCrete™ the world's only stainless concrete and is available in many colors to match your bathroom décor. An optional programmable heating coil can be cast into the tub so that you can spend the whole day soaking and forgetting life's woes.

Sonoma Cast Stone 877.283.2400 www.sonomastone.com



Ofuro

The Japanese Soaking Tub from Sonoma Cast Stone

This Japanese-style soaking tub in Stainless NuCrete™ has been designed to be installed directly on a hard surface floor with either a below floor access for the drain and faucet controls or a lateral installation within the floor joist structure. If a buying decision is made after these options are available, the tub can be mounted on a platform (by Sonoma Cast Stone or by your contractor).



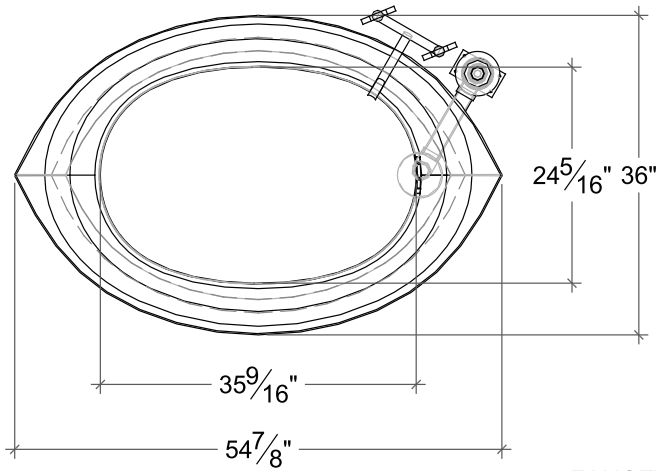
STANDARD PRODUCTS

SONOMA CAST STONE CORPORATION
 Makers of NuCrete™, The World's Only Stainless Concrete
 877.283.2400 • www.sonomastone.com

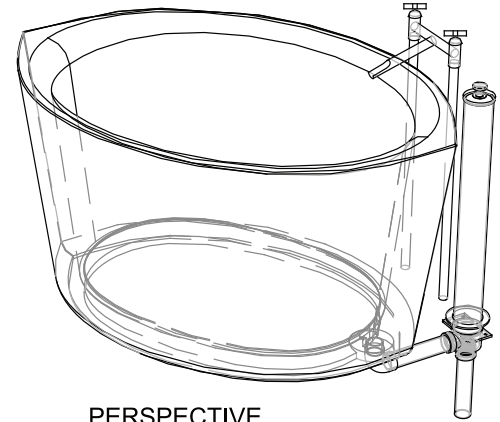


For more product info, or to download replacement forms, see: www.sonomastone.com

Ofuro Japanese Soaking Tub OFURO



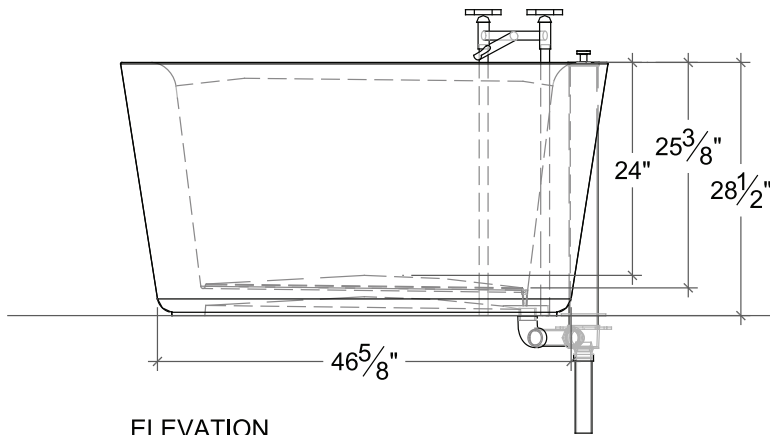
PLAN



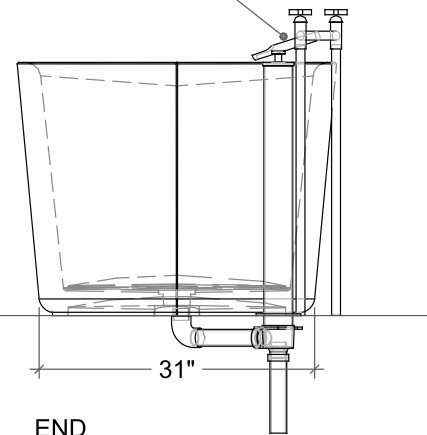
PERSPECTIVE

FAUCET & OVERFLOW/ DRAIN
 OPTIONAL BY SONOMA FORGE
WWW.SONOMAFORGE.COM

For remodel applications, platform framing may be necessary to accommodate plumbing. capacity: 70 gallons



ELEVATION



END

Designs ©2007 Sonoma Cast Stone Corp. All rights reserved.

Visit www.sonomastone.com to see photos of this and other products.



• DESCRIPTION

The Ofuro is a Japanese-style soaking tub designed for one. This beautiful stand alone tub has been called more of a piece of sculpture than a bathtub. An optional heating element can be embedded into the concrete to insure an even and constantly warm surface that will maintain the hot water until all of your daily woes are forgotten. The heating option includes a programmable timer that will control both the times and temperature of the tub surface. This 865 lb tub requires careful planning with an architect or structural engineer. Primarily designed for new construction, however, retrofit options are possible. An installation brochure should be requested and studied to insure that proper plumbing and electrical connections are in the proper placement before the floor is constructed. Sonoma Forge has designed a tub filler and a combination drain and overflow assembly to match this tub.

• FACTS

Classic Concrete (diamond-sanded, sealed & waxed) or Stainless NuCrete™. 24 standard colors. See: www.sonomastone.com, catalog or techbinder. Custom colors available. Order samples online, or call 877-283-2400 x113.

Requires separate tub filler (wall or floor-mounted to side) for pre-mixed water with remote mixing valve (from Sonoma Forge and others). 70 gallon capacity. Tub may be floor-mounted or on pedestal (raised floor) in remodel applications. Drain hole fits most 1-1/2" standard drain assemblies (not included). 1-1/2" diameter ABS pipe stub-out included. 1-1/2" drain pipe must be accompanied with remote overflow & drain assembly (available from Sonoma Forge and others). Drain is best accomplished before floor is poured and completed. Perimeter drain replaces traditional drain assembly so there is no visible hardware.

For UPC (IAPMO) listing, see Appendix, p08-10.

Approximate Weight: 1,124 lbs / Crated 1,474 lbs

SEE WWW.SONOMASTONE.COM FOR PHOTOS AND ADDITIONAL INFORMATION ON THIS PRODUCT



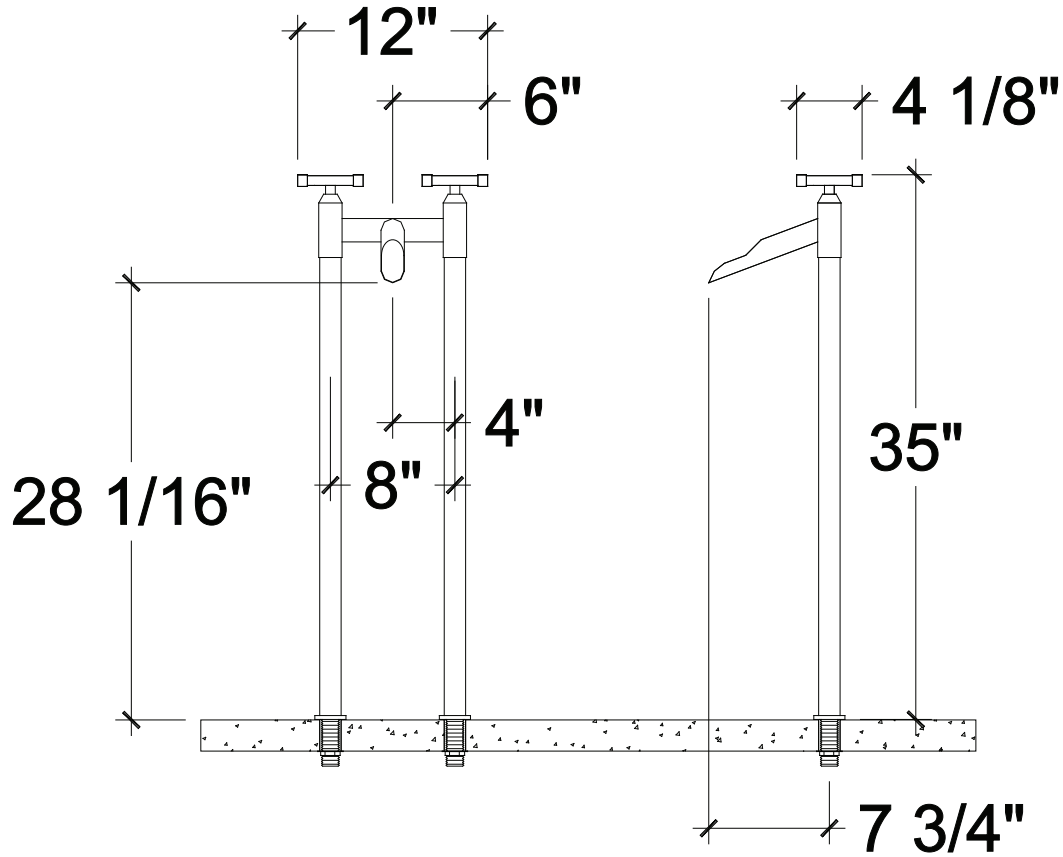
STANDARD PRODUCTS

SONOMA CAST STONE CORPORATION
Makers of NuCrete™, The World's Only Stainless Concrete
877.283.2400 • www.sonomastone.com



For more product info, or to download replacement forms, see: www.sonomastone.com

Floor Mount Tub Filler (35")



Designs ©2007 Sonoma Cast Stone Corp. All rights reserved.

Visit www.sonomastone.com to see photos of this and other products.



SEE WWW.SONOMASTONE.COM FOR PHOTOS AND ADDITIONAL INFORMATION ON THIS PRODUCT



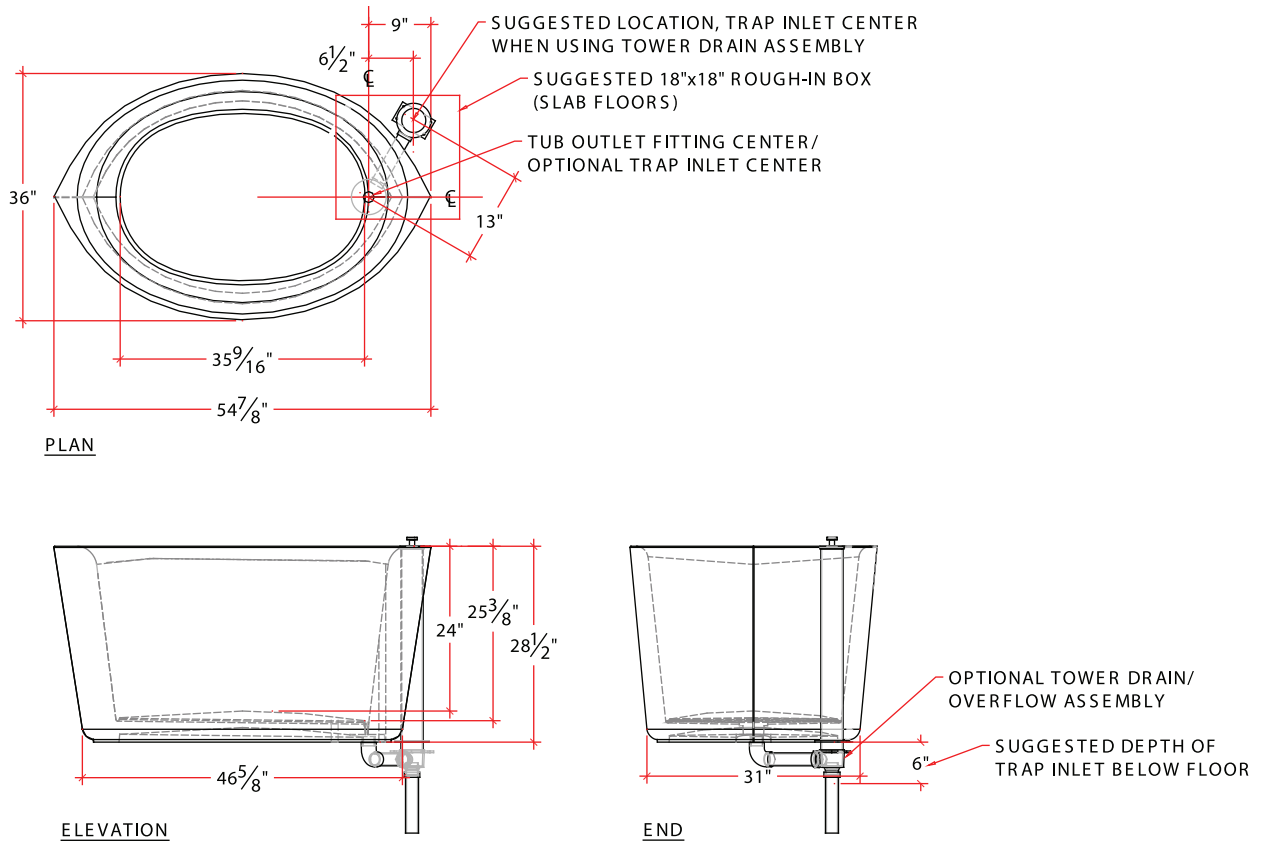
INSTALLATION

SONOMA CAST STONE CORPORATION
 Makers of NuCrete™, The World's Only Stainless Concrete
 (877) 283-2400 www.sonomastone.com



For more product info, or to download replacement forms, see: www.sonomastone.com

Ofuro Japanese Soaking Tub OFURO



Designs © Sonoma Cast Stone Corp. 2007. All rights reserved.

This is a general guide. Installations may vary according to site conditions. Plumbing connections should be made by a qualified plumber, following all applicable code requirements. Please see Ofuro Specification sheet for complete dimension information.

1. Make sure the floor structure will not deflect due to the weight of the tub. The Ofuro with hardware, filled with water and a bather, will weigh app. 1440 lbs.
2. Plan the trap location using the diagrams below as a guide. For slab floors, a bathtub rough-in box is needed for drain connections. For wood-frame floors, below-floor access will simplify connections.
3. The Ofuro is provided with an integral 1" ABS drain coupling. The installer should use ABS cement to glue in a pipe stub of the appropriate length to connect to the trap, or to the optional tower drain/ overflow assembly.
4. If using the Sonoma Forge Tower Drain/ overflow assembly, follow the manufacturer's instructions for connection. If connecting tub outlet directly to the trap, there will not be an overflow or inline stopper unless other external means are used.
5. Plan the faucet location, either wall or floor mount. The faucet may be either roughed-in or fully installed before tub installation. The faucet may be located anywhere around the tub perimeter, depending on user preference and site conditions.
6. Move the Ofuro into location and place on blocks at each end. Use two 36" 4x12's on edge, or similar.
7. Glue the drain pipe stub into the integral drain coupling.
8. Removing the blocks, carefully lower the tub to the floor surface.
9. Complete drain connections, faucet connections, and finish flooring.



INSTALLATION

SONOMA CAST STONE CORPORATION
Makers of NuCrete™, The World's Only Stainless Concrete
(877) 283-2400 www.sonomastone.com



For more product info, or to
download replacement forms,
see: www.sonomastone.com

Tub Heating Elements

ELECTRICAL REQUIREMENTS FOR OFURO AND DOUBLE WAVE TUB WITH INTEGRAL HEATING ELEMENTS

General Requirements

1. The work should be performed by a qualified, licensed electrician.
2. Always follow local and national electrical codes.
3. A large grounded metal wall box is recommended for the (line voltage) thermostat. This should be at least 6' away from the tub, 4' above the floor.
4. Run 2 conduits from under the tub to the wall box. The 2nd one is for the temperature sensor wire.
5. Power to the wall box should be a dedicated GFI circuit.

OFURO Heating Element: 120 Volt AC
60Hz
730 watts
6.1 amps
19.7 ohms

WV-TUB-DB Heating Element: 120 Volt AC
60 Hz
1060 watts
8.8 amps
13.5 ohms