

The Country Club

The genteel tradition of a Savanna smoking club, embellished with the metropolitan flair of a parisian toilette des mademoiselles.



Rustic Copper

Rustic Nickel





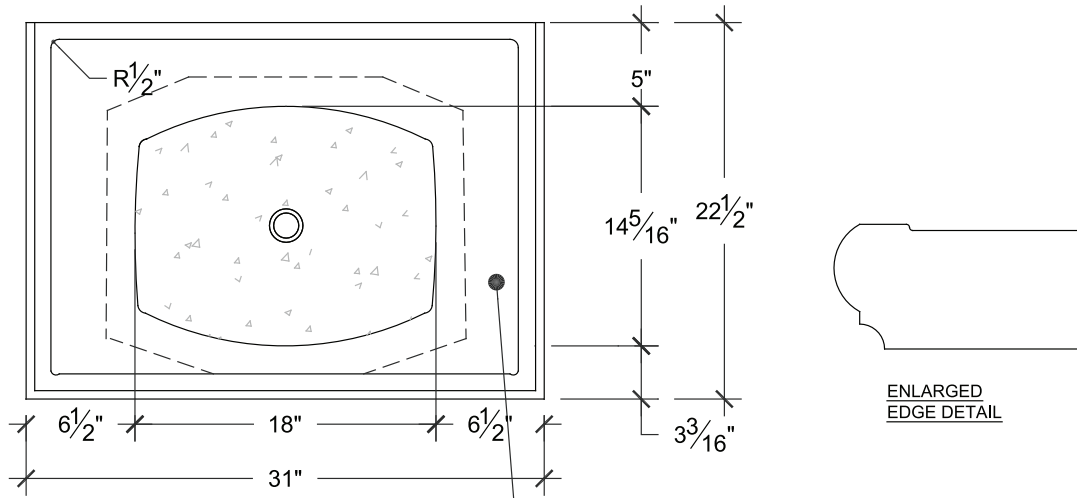
STANDARD PRODUCTS

SONOMA CAST STONE CORPORATION
 Makers of NuCrete™, The World's Only Stainless Concrete
 888.807.9117 • www.sonomastone.com



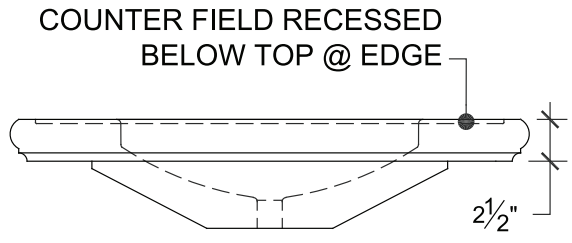
For more product info, or to download replacement forms, see: www.sonomastone.com

CountryClub

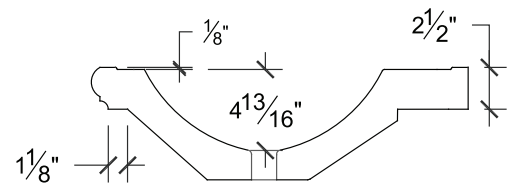


PLAN

CONC. COUNTERTOP
 W/ INTEGRAL COUNTERSINK
 AND RAISED EDGE



FRONT ELEVATION



SIDE ELEVATION

Designs ©2007 Sonoma Cast Stone Corp. All rights reserved.

Visit www.sonomastone.com to see photos of this and other products.



• **DESCRIPTION**

The CountryClub is in the genteel tradition of a Savannah smoking club, embellished with the metropolitan flair of a Parisian toilette des Mademoiselles.

Pre-cast concrete countertop with traditional ogee edge detailing has a recessed faucet deck with integral CounterSink. May use deck or wall-mount faucets.

Optional metal stand evokes an old world style is available in several finishes (p14).

• **FACTS**

Classic Concrete (diamond-sanded, sealed & waxed) or Stainless Nucrete™ 24 standard colors. See: www.sonomastone.com, catalog or techbinder. Custom colors available. Order samples online, or call 877-283-2400 x113.

May be cabinet or wall-mounted. Optional metal stand sold separately is available in several finishes. Custom cabinets also available.

Faucet holes optional. May use deck-mount or wall-mount faucets. Drain hole fits most 1-1/4" standard drain assemblies. (not included)

For UPC (IAPMO) listing, see Appendix, p08-10.

Approximate Weight: 164 lbs / Crated 258 lbs (optional stand not included)

SEE WWW.SONOMASTONE.COM FOR PHOTOS AND ADDITIONAL INFORMATION ON THIS PRODUCT



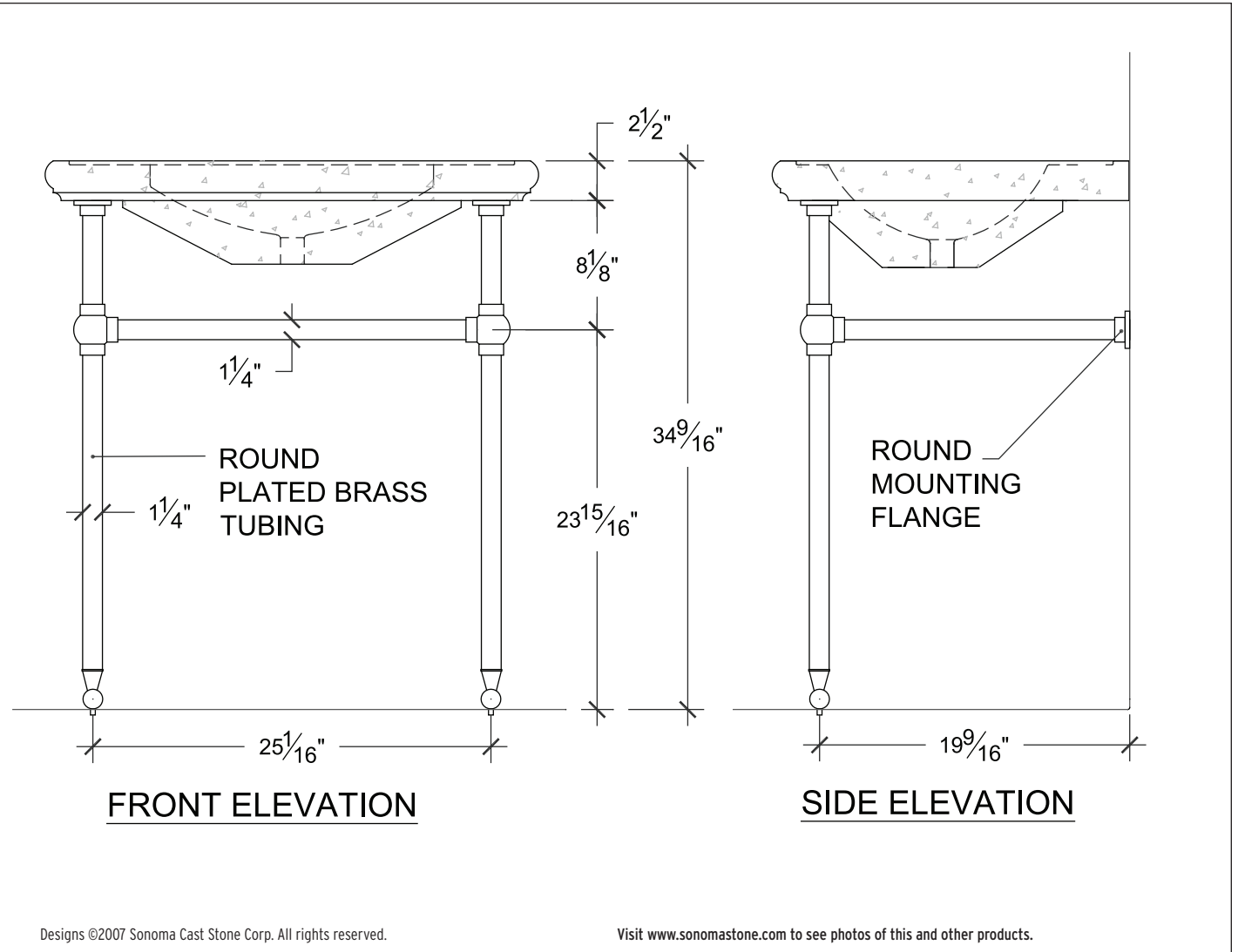
STANDARD PRODUCTS

SONOMA CAST STONE CORPORATION
Makers of NuCrete™, The World's Only Stainless Concrete
888.807.9117 • www.sonomastone.com



For more product info, or to download replacement forms, see: www.sonomastone.com

Country Club Metal Stand



• DESCRIPTION

Traditional Metal Stand with Wall returns for use with our Country Club pre-cast concrete sink.

Console outside dimensions ~ 27 3/8" W X 32" H.

The Brass construction (Diameter 1 1/4").

Available in a variety of finishes.

• FACTS

Tubular brass construction in several finishes including Rustic Copper and Rustic Nickel. Custom finishes available as an option.

Approximate Weight: 16 lbs (stand only)

Sink sold separately.

SEE WWW.SONOMASTONE.COM FOR PHOTOS AND ADDITIONAL INFORMATION ON THIS PRODUCT